



# Instruction Manual

## *Telescoping Manual High Lift Truck*

Part Number: 272754, 272755, 272975 & 272976



**Note: Operator MUST read and understand these operating instructions before using this Truck.**

### TABLE OF CONTENTS

|     |                                    |    |
|-----|------------------------------------|----|
| 1   | General Information .....          | 2  |
| 1.1 | Description.....                   | 2  |
| 1.2 | Specifications.....                | 2  |
| 2   | Assembly & Adjustment.....         | 2  |
| 3   | Trouble Shooting.....              | 4  |
| 4   | Fork Frame Information.....        | 5  |
| 4.1 | Fork Frame Parts Diagram.....      | 5  |
| 4.2 | Fork Frame Parts List.....         | 6  |
| 5   | Pump Assembly Information.....     | 7  |
| 5.1 | Pump Assembly Parts Diagram.....   | 7  |
| 5.2 | Pump Assembly Parts List.....      | 8  |
| 6   | Handle Assembly Information.....   | 10 |
| 6.1 | Handle Assembly Parts Diagram..... | 10 |
| 6.2 | Handle Assembly Parts List.....    | 11 |

## **1. GENERAL INFORMATION**

### **1.1 DESCRIPTION**

Thank you for purchasing a Wesco Telescoping Manual High Lift Truck. This pallet truck is designed for transporting and horizontal lifting. The trucks feature a 180° steering arc, loop handles with inside hand control and a 1 year pump warranty.

### **1.2 SPECIFICATIONS**

| Model                  | <b>272754</b> | <b>272755</b> | <b>272975</b> | <b>272976</b> |
|------------------------|---------------|---------------|---------------|---------------|
| Capacity               | 2,200 lbs     | 2,200 lbs     | 3,300 lbs     | 3,300 lbs     |
| Weight                 | 228 lbs       | 219 lbs       | 260 lbs       | 276 lbs       |
| Fork Lowered Height    | 3.3"          | 3.6"          | 3.6"          | 3.6"          |
| Fork Raised Height     | 31.5"         | 31.5"         | 31.5"         | 31.5"         |
| Single Fork Width      | 6.5"          | 6.5"          | 6.5"          | 6.5"          |
| Fork Length            | 44.5"         | 44.5"         | 43"           | 43"           |
| Overall Width          | 27"           | 21"           | 20"           | 27"           |
| Overall Length         | 63"           | 63"           | 63"           | 63"           |
| Overall Height         | 48.5"         | 48.5"         | 48.5"         | 48.5"         |
| Telescoping            | Yes           | Yes           | Yes           | Yes           |
| Steering & Load Wheels | Polyurethane  | Polyurethane  | Polyurethane  | Polyurethane  |

*Materials and specifications are subject to change without notice.*

## **2. ASSEMBLY & ADJUSTMENT**

- 1) Screw (Item 158)
  - To prevent oil-leaking from oil tank during transportation the air screw (Item 158) is replaced with oil-sealing screw in the factory. Upon reaching its destination and before operation the air screw must be inserted back in place. Screw out the Oil-sealing screw, then screw in the air screw which the pump housing (Item 160) is hung.
- 2) Handle
  - During transportation, the handle is disassembled from the truck and packed separately. It must be properly reassembled before operation of the unit.

ATTENTION: TO INSURE SAFE AND EASY USE OF YOUR WESCO HIGH LIFT TRUCK, READ THESE INSTRUCTIONS ENTIRELY BEFORE USING.

**2. ASSEMBLY & ADJUSTMENT**

Handle Installation

- Take 3 pieces of M10 Nut (Item 185) & Spring Washer from spare parts bag. Select handle to match the truck with the same fitting numbers.
- Assemble the handle on the Handle Base (Item 181) with 3 pieces of M10 Nut & Spring Washer tightly.
- Put the chain's Eye Bolt (Item 110) in the slot at the front end of Pendulum Arm (Item 112).

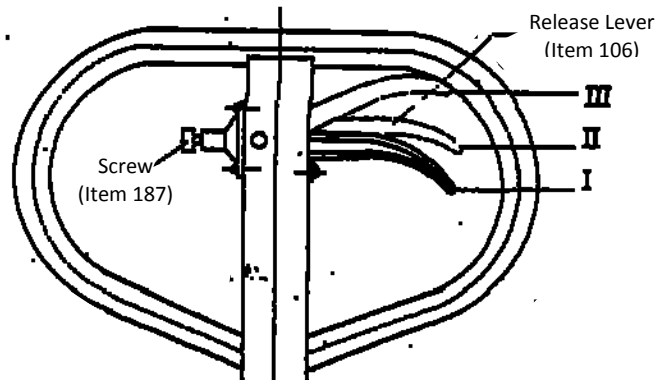
Handle Adjustment

- There are 3 different positions with different functions for the Release Lever (Item 106).

Position I: Rapid lifting of forks

Position II: Slow lifting of forks

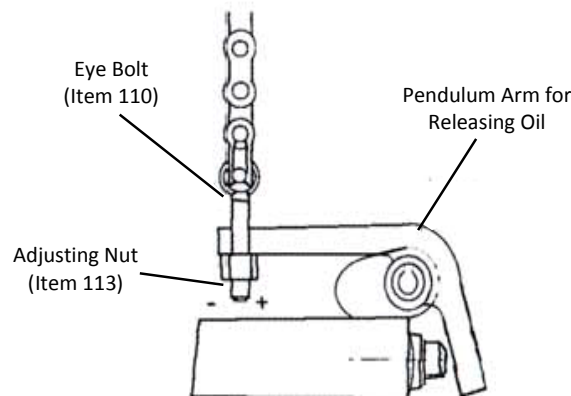
Position III: Descending of forks



**Figure 1**

- Test the functions of the unit by setting the Release Lever in each position. If it does not function properly, then make the following adjustment to the Lock Nut (Item 113) depending on the problem occurring:

| Problem                              | Turning Direction of Lock Nut |
|--------------------------------------|-------------------------------|
| Forks do not lift up                 | - (counter-clockwise)         |
| Forks do no lower down               | + (clockwise)                 |
| Slow lifting function does not work  | + (clockwise)                 |
| Rapid lifting function does not work | - (counter-clockwise)         |



**Figure 2**

ATTENTION: TO INSURE SAFE AND EASY USE OF YOUR WESCO HIGH LIFT TRUCK, READ THESE INSTRUCTIONS ENTIRELY BEFORE USING.

## **2. ASSEMBLY & ADJUSTMENT**

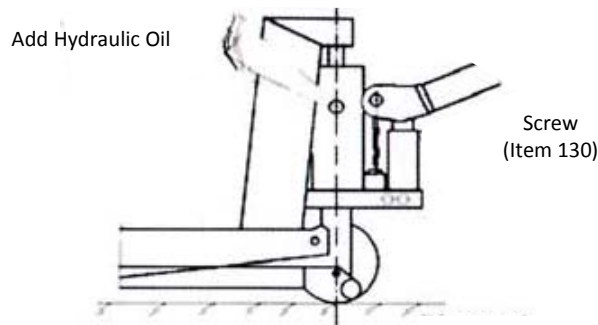
### Handle Adjustment

- Function of Adjusting Screw for Release Lever (Shown In Figure 1).

The Adjusting Screw (item 187) is used to adjust the operating force required to set Release Lever (Item 106) into each position. To prevent accidental position switches of the lever, you can tighten the screw in the position I or II of the Release Lever.

### Releasing Air from the Pump

When pushing the handle down, the fork cannot be lifted immediately. Loosen the Screw (item 130) on the pump while pushing the handle down slowly to expel air from the pump, and then retighten the screw.



**Figure 3**

### When to Add Oil

If the forks cannot be pumped up to its maximum height, the truck may need to have hydraulic oil added into the oil tank. The hydraulic fluid added must have a quality of ISO VG22 or equivalent. The mixing of different fluid is prohibited.

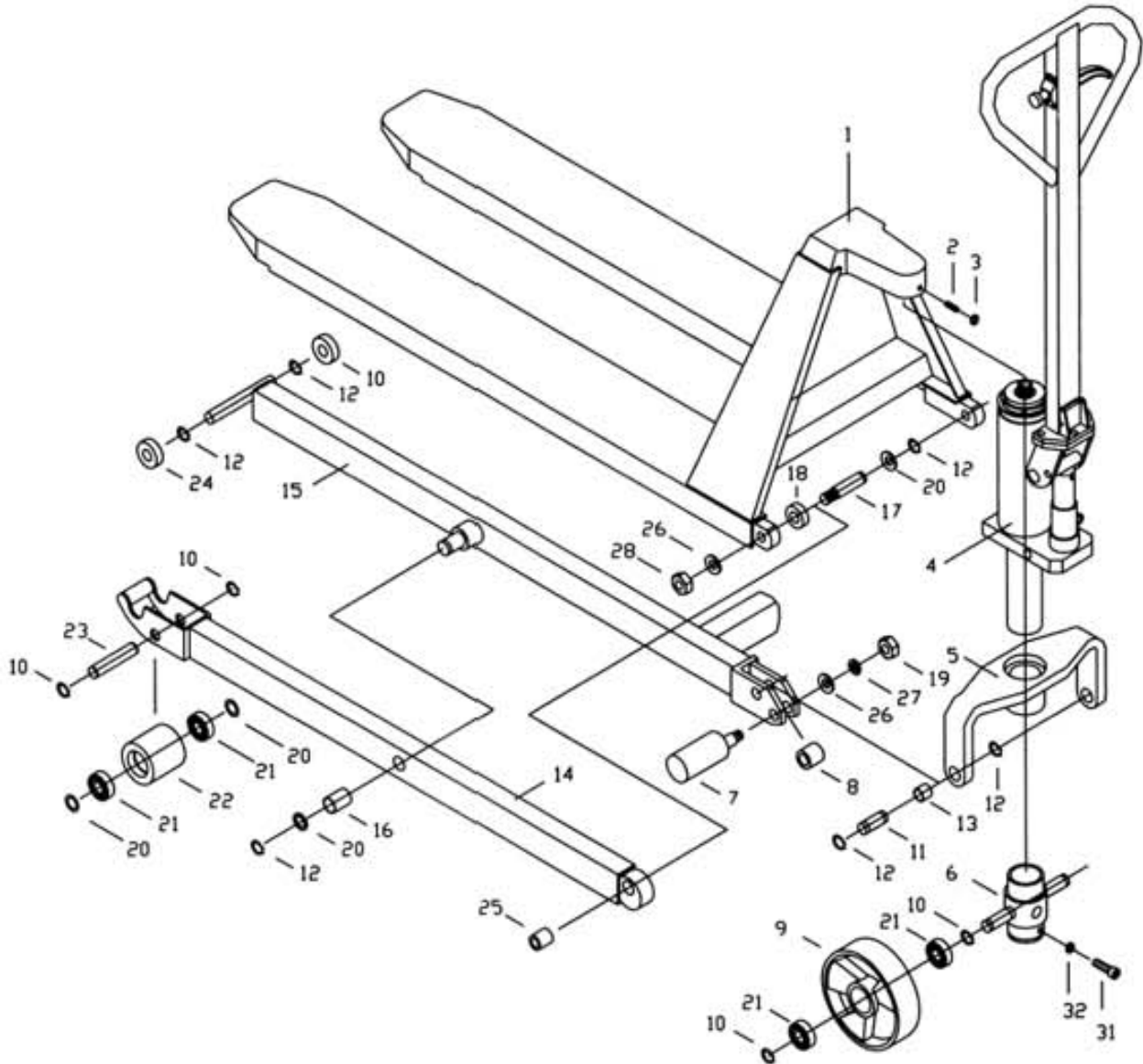
## **3. TROUBLESHOOTING**

| No | Problem   | Causes  | Solutions  |
|----|---|---|--|
| 1  | Forks cannot be pumped up                             | <ol style="list-style-type: none"> <li>1. Low oil level in oil tank.</li> <li>2. Air is in the hydraulic system.</li> <li>3. Adjusting Nut is not adjusted properly.</li> </ol> | <ol style="list-style-type: none"> <li>1. Add proper hydraulic oil.</li> <li>2. Bleed the system by</li> <li>3. Adjust the Adjusting Nut (as shown in picture 2).</li> </ol> |
| 2  | Forks cannot be released down                         | <ol style="list-style-type: none"> <li>1. Forks blocked.</li> <li>2. Adjusting Nut is not adjusted properly.</li> </ol>   | <ol style="list-style-type: none"> <li>1. Check and remove the blockage.</li> <li>2. Adjust the Adjusting Nut (as shown in picture 2).</li> </ol>                            |
| 3  | Forks do not lift to highest position                 | <ol style="list-style-type: none"> <li>1. Not enough oil.</li> </ol>  | <ol style="list-style-type: none"> <li>1. Fill Oil.</li> </ol>   |
| 4  | Fork lifting speeds of position I and II are the same | <ol style="list-style-type: none"> <li>1. Adjusting Nut is not adjusted properly.</li> </ol>  | <ol style="list-style-type: none"> <li>1. Adjust the Adjusting Nut (as shown in picture 2).</li> </ol>   |

ATTENTION: TO INSURE SAFE AND EASY USE OF YOUR WESCO HIGH LIFT TRUCK, READ THESE INSTRUCTIONS ENTIRELY BEFORE USING.

**4. FORK FRAME INFORMATION**

**4.1 FORK FRAME DIAGRAM**



ATTENTION: TO INSURE SAFE AND EASY USE OF YOUR WESCO HIGH LIFT TRUCK, READ THESE INSTRUCTIONS ENTIRELY BEFORE USING.

#### **4. FORK FRAME INFORMATION**

##### **4.2 FORK FRAME PARTS LIST**

| <b>WESCO Replacement P/N</b>                  | <b>No.</b> | <b>Description</b>  | <b>Quantity</b> |
|---|------------|---|-----------------|
|   | 1          | Fork  | 1               |
| 172250  | 2          | Screw   | 2               |
| 172251  | 3          | Nut   | 1               |
| See #300                                      | 4          | Power Unit  | 1               |
| 172249  | 5          | Hold Yoke   | 1               |
| 172252  | 6          | Wheel Yoke  | 1               |
| 172253  | 7          | Centrifugal Axle  | 2               |
| 172254  | 8          | Spacer  | 2               |
| 272752<br>(For 272754 & 272755<br>Units Only) | 9          | Steering Wheel (Aluminum)   | 2               |
| 272902<br>(For 272975 & 272976<br>Units Only) |            | Steering Wheel (Steel)  | 2               |
| 172255  | 10         | Snap Ring   | 8               |
| 172256  | 11         | Pin   | 2               |
| 172257  | 12         | Snap Ring   | 12              |
| 172258  | 13         | Bush  | 2               |
| 172259  | 14         | Leg   | 2               |
| 172260  | 15         | Leg   | 1               |
| 172261  | 16         | Bush  | 2               |
| 172262  | 17         | Pin   | 2               |
| 172263  | 18         | Washer  | 2               |
| 172264  | 19         | Nut   | 2               |
| 172265  | 20         | Washer  | 8               |
| 172266  | 21         | Ball bearing  | 8               |
| 272753  | 22         | Front Wheel   | 2               |
| 172267  | 23         | Wheel Axle  | 2               |
| 272756  | 24         | Roller  | 4               |
| 172268  | 25         | Bush  | 2               |
| 172269  | 26         | Washer  | 4               |
| 172270  | 27         | Spring Washer   | 2               |
|   | 28         | Nut   | 2               |
|   | 31         | Screw   | 1               |
|   | 32         | Nut   | 1               |
|   | 30         | Steering Wheel Assembly (Includes<br>Items #6, 9, 10, 21, 31, 32) | 1               |

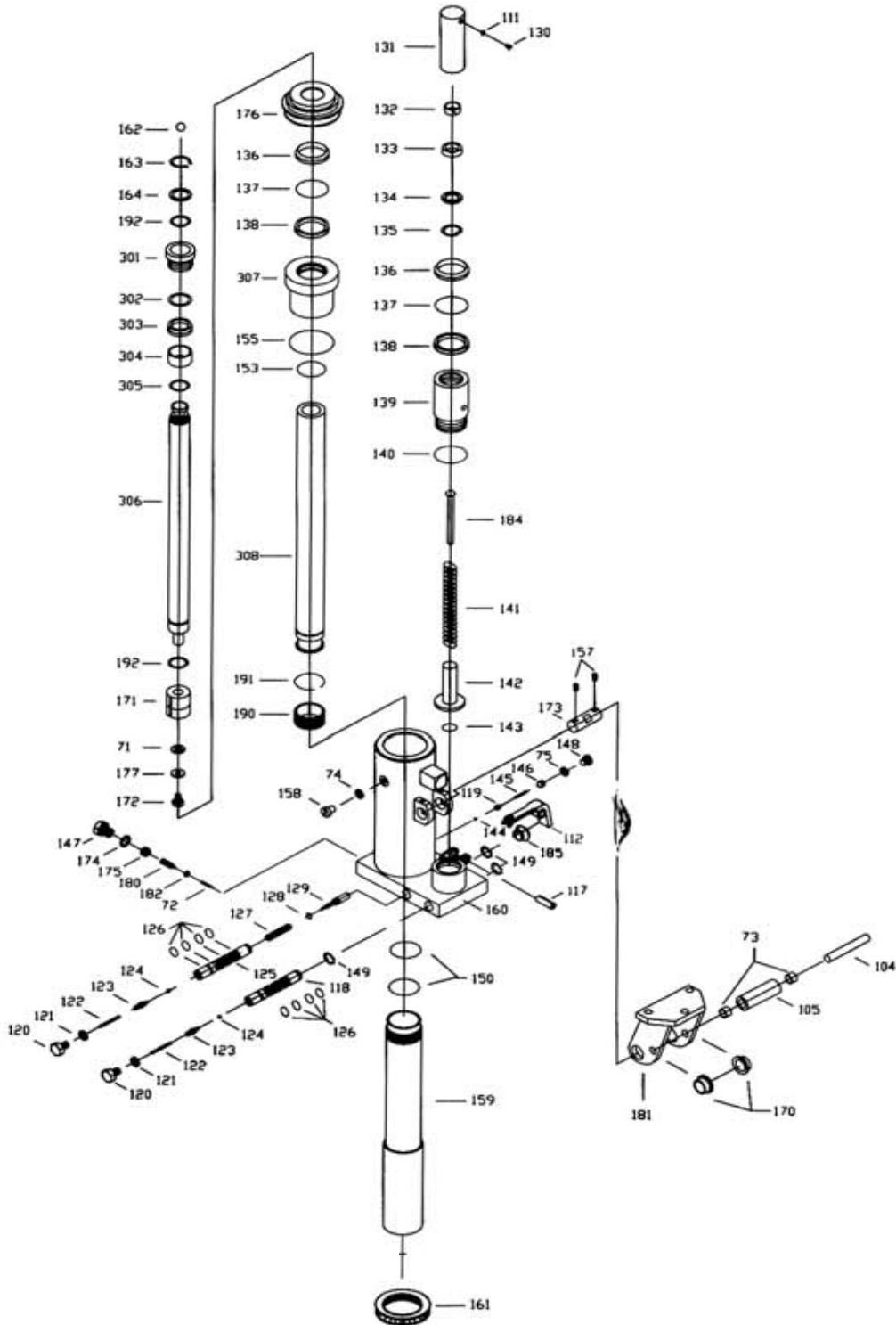
**NOTE:** Items within kits specify quantity included per kit



ATTENTION: TO INSURE SAFE AND EASY USE OF YOUR WESCO HIGH LIFT TRUCK, READ THESE INSTRUCTIONS ENTIRELY BEFORE USING.

**5. PUMP ASSEMBLY INFORMATION**

**5.1 PUMP ASSEMBLY DIAGRAM**



ATTENTION: TO INSURE SAFE AND EASY USE OF YOUR WESCO HIGH LIFT TRUCK, READ THESE INSTRUCTIONS ENTIRELY BEFORE USING.

## 5. PUMP ASSEMBLY INFORMATION

### 5.2 PUMP ASSEMBLY PARTS LIST

| WESCO Replacement P/N               | No.    | Description           | Quantity      |   |
|-------------------------------------|--------|-----------------------|---------------|---|
|                                     | 71     | Washer                | 1             |   |
|                                     | 72     | Spring                | 1             |   |
| 172336                              | 73     | Bushing               | 2             |   |
| 272903                              | 74     | Washer                | 1             |   |
|                                     | 75     | Gasket                | 1             |   |
| 172273                              | 104    | Pin                   | 1             |   |
| 172274                              | 105    | Roller                | 1             |   |
| 172280                              | 111    | Washer                | 1             |   |
| 172281                              | 112    | Pendulum Arm          | 1             |   |
| 172286                              | 117    | Pin                   | 1             |   |
| 172287                              | 118    | Valve Insert          | 1             |   |
| 172288                              | 119    | Seat                  | 1             |   |
| 272848 Kit:<br>Release<br>Mechanism | 172289 | 120                   | Screw         | 2 |
|                                     | 172290 | 121                   | Gasket        | 2 |
|                                     | 172291 | 122                   | Spring        | 2 |
|                                     | 172292 | 123                   | Release Valve | 2 |
|                                     | 172293 | 124                   | Ball          | 2 |
|                                     | 172294 | 125                   | Valve Insert  | 1 |
|                                     | 172295 | 126                   | O-Ring        | 8 |
|                                     | 172296 | 127                   | Spring        | 1 |
|                                     | 172297 | 128                   | O-Ring        | 1 |
| 172298                              | 129    | Release Indicator     | 1             |   |
| 172299                              | 130    | Screw                 | 1             |   |
| CYL./PISTON KIT                     | 131    | Pump Piston           | 1             |   |
| SEAL KIT ONLY                       | 132    | Guide Ring            | 1             |   |
| SEAL KIT ONLY                       | 133    | Y-Ring                | 1             |   |
| 270676                              | 134    | Washer                | 1             |   |
| 270677                              | 135    | Snap Ring             | 1             |   |
| SEAL KIT ONLY                       | 136    | Scraper Ring          | 2             |   |
| SEAL KIT ONLY                       | 137    | O-Ring                | 2             |   |
| SEAL KIT ONLY                       | 138    | Y-Ring                | 2             |   |
| CYLINDER/PISTON<br>KIT ONLY         | 139    | Pump Cylinder         | 1             |   |
| SEAL KIT ONLY                       | 140    | O-Ring                | 1             |   |
| 270471                              | 141    | Spring                | 1             |   |
| 270679                              | 142    | Hi-Pressure<br>Piston | 1             |   |
| SEAL KIT ONLY                       | 143    | O-Ring                | 2             |   |
|                                     | 144    | Ball                  | 1             |   |
|                                     | 145    | Spring                | 2             |   |
|                                     | 146    | Adjusting Screw       | 2             |   |

| WESCO Replacement P/N               | No. | Description      | Quantity |
|-------------------------------------|-----|------------------|----------|
|                                     | 147 | Sealing Screw    | 1        |
|                                     | 148 | Screw            | 1        |
|                                     | 149 | Snap Ring        | 1        |
| SEAL KIT ONLY                       | 150 | O-Ring           | 2        |
| SEAL KIT ONLY                       | 153 | O-Ring           | 1        |
| SEAL KIT ONLY                       | 155 | O-Ring           | 1        |
|                                     | 157 | Screw            | 1        |
| 172302                              | 158 | Air Screw        | 1        |
|                                     | 159 | Cylinder         | 1        |
|                                     | 160 | Pump Housing     | 1        |
| 172303                              | 161 | Thrust Bearing   | 1        |
| 172304                              | 162 | Ball             | 1        |
| 172305                              | 163 | Snap ring        | 1        |
| 172306                              | 164 | Washer           | 1        |
| 172312                              | 170 | Bush             | 2        |
|                                     | 171 | Piston           | 1        |
| 172313                              | 172 | Screw            | 1        |
| 172314                              | 173 | Axle             | 1        |
| 172315                              | 174 | Gasket           | 1        |
| 172316                              | 175 | Lock Screw       | 1        |
| 172317                              | 176 | Rubber Sleeve    | 1        |
| 172318                              | 177 | Washer           | 1        |
| 172321                              | 180 | Adjusting Screw  | 1        |
| 172322                              | 181 | Handle Base      | 1        |
| 172323                              | 182 | Adjusting Washer | 1        |
| 172324                              | 183 | Rubber Sleeve    | 1        |
| 172325                              | 184 | Spring Guide     | 1        |
|                                     | 190 | Copper Piston    | 1        |
| 172331                              | 191 | Snap Ring        | 1        |
| 172332                              | 192 | Snap Ring        | 2        |
| SEE TABLE ON<br>PAGE 9              | 300 | Pump Unit        | 1        |
| 172450<br>(For 272749<br>Pump Only) | 301 | Bushing          | 1        |
| SEAL KIT ONLY                       | 302 | Back-Up Ring     | 1        |
| SEAL KIT ONLY                       | 303 | Y-Ring           | 1        |
| 172451<br>(For 272749<br>Pump Only) | 304 | Bushing          | 1        |
|                                     | 305 | Snap Ring        | 1        |
|                                     | 306 | Piston Rod       | 1        |
|                                     | 307 | Cylinder Head    | 1        |
|                                     | 308 | Lifting Ram      | 1        |

**NOTE:** Items within kits specify quantity included per kit



ATTENTION: TO INSURE SAFE AND EASY USE OF YOUR WESCO HIGH LIFT TRUCK, READ THESE INSTRUCTIONS ENTIRELY BEFORE USING.

**5. PUMP ASSEMBLY INFORMATION**

**5.2 PUMP ASSEMBLY PARTS LIST (CONTINUED)**

**Kits**

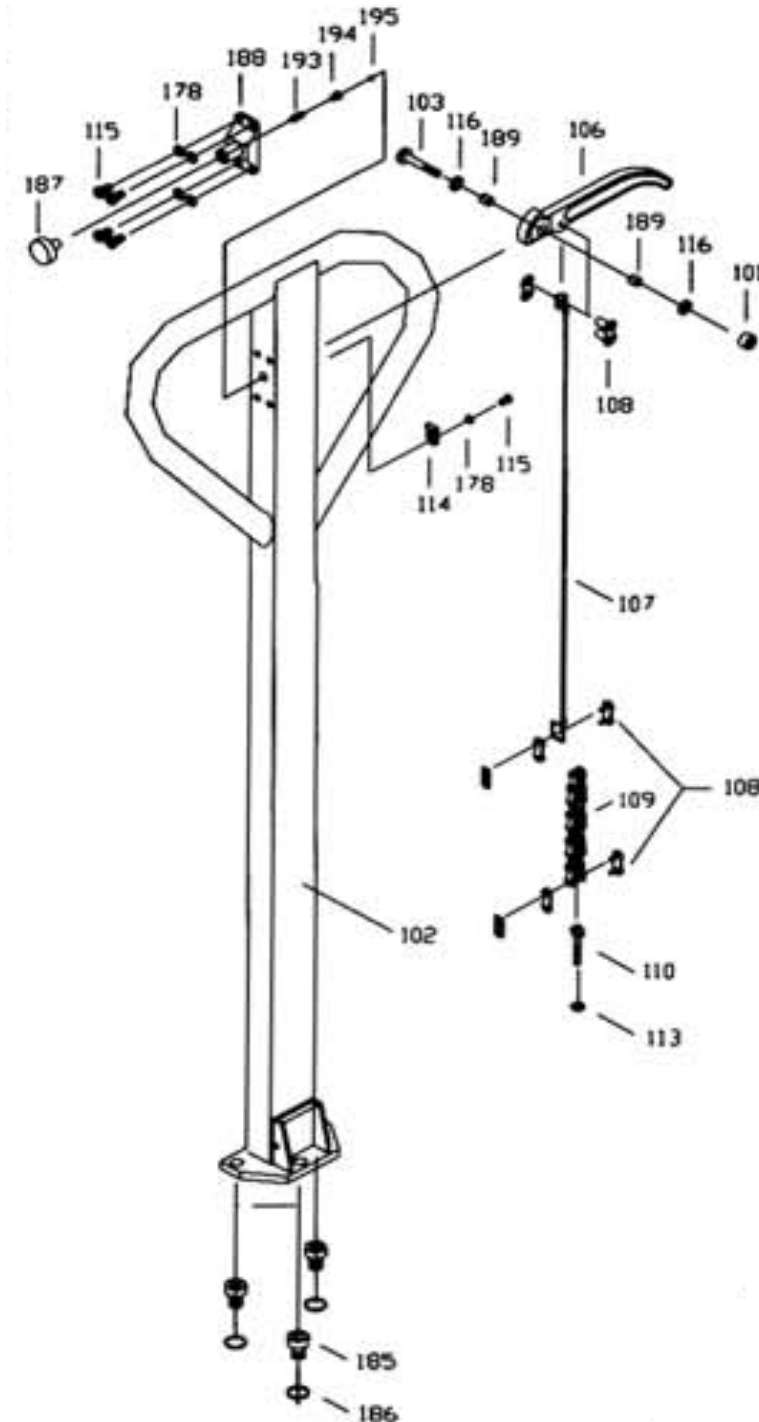
| P/N    | Description           | Models Kit is Compatible With                       | Includes   | Qty |
|--------|-----------------------|---|--|-----|
| 272757 | Seal Kit              | 272754/272755 Models From Before 2010 OR After 2014 | Items 75, 126, 128, 132, 133, 136, 137, 138, 140, 143, 150, 153, 155, 302, 303 | 1   |
|        |                       | ALL 272975/272976 Models                            |  |     |
| 270675 | Cylinder/Piston Kit   | ALL   | Items 131 & 139  | 1   |
| 272848 | Release Mechanism Kit | ALL   | Items 120, 121, 122, 123, 124, 125, 126, 127, 128, 129                         | 1   |
| 272745 | Replacement Pump      | 272754/272755 Models From Between 2010-2014         | 300  | 1   |
| 272749 | Replacement Pump      | 272754/272755 Models From Before 2010 OR After 2014 | 300  | 1   |
|        |                       | ALL 272975/272976 Models                            |  |     |

**NOTE:** Items within kits specify quantity included per kit

ATTENTION: TO INSURE SAFE AND EASY USE OF YOUR WESCO HIGH LIFT TRUCK, READ THESE INSTRUCTIONS ENTIRELY BEFORE USING.

**6. HANDLE ASSEMBLY INFORMATION**

**6.1 HANDLE ASSEMBLY DIAGRAM**



ATTENTION: TO INSURE SAFE AND EASY USE OF YOUR WESCO HIGH LIFT TRUCK, READ THESE INSTRUCTIONS ENTIRELY BEFORE USING.

**6. HANDLE ASSEMBLY INFORMATION**

**6.2 HANDLE ASSEMBLY PARTS LIST**

| WESCO Replacement P/N | No. | Description                  | Quantity |
|-----------------------|-----|------------------------------|----------|
| 172271                | 101 | Locknut                      | 1        |
|                       | 102 | Handle                       | 1        |
| 172272                | 103 | Screw                        | 1        |
| 172275                | 106 | Release Lever                | 1        |
| 172276                | 107 | Release Rod                  | 1        |
| 172277                | 108 | Chain Connector              | 3        |
| 172278                | 109 | Chain                        | 1        |
| 172279                | 110 | Eye Bolt                     | 1        |
| 172282                | 113 | Pendulum Arm                 | 1        |
| 172283                | 114 | Pendulum Arm Nut             | 1        |
| 172284                | 115 | Screw                        | 5        |
| 172285                | 116 | Washer                       | 2        |
| 172319                | 178 | Washer                       | 5        |
| 172326                | 185 | Adjusting Screw              | 3        |
| 172327                | 186 | Spring Washer                | 3        |
| 172328                | 187 | Lock Screw for Release Lever | 1        |
| 172329                | 188 | Spring Socket                | 1        |
| 172330                | 189 | Spacer                       | 2        |
| 172333                | 193 | Spring                       | 1        |
| 172334                | 194 | Pin                          | 1        |
| 172335                | 195 | Ball                         | 1        |

**NOTE:** Items listed above for Models before 2010 or after 2014 only.

**Kits**

| Description             | P/N    | Models Kit is Compatible With         | Includes   | Qty |
|-------------------------|--------|---------------------------------------|--|-----|
| Handle Release Assembly | 272751 | Models From Before 2010 OR After 2014 | Items 101, 102, 103, 106, 107, 108, 109, 110, 113, 115, 116, 178, 187, 188, 189, 193, 194, 195 | 1   |
|                         | 273631 | Models From Between 2010-2014         |  |     |

**NOTE:** Items within kits specify quantity included per kit.