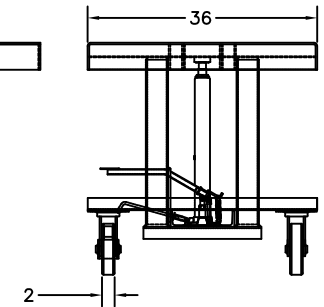
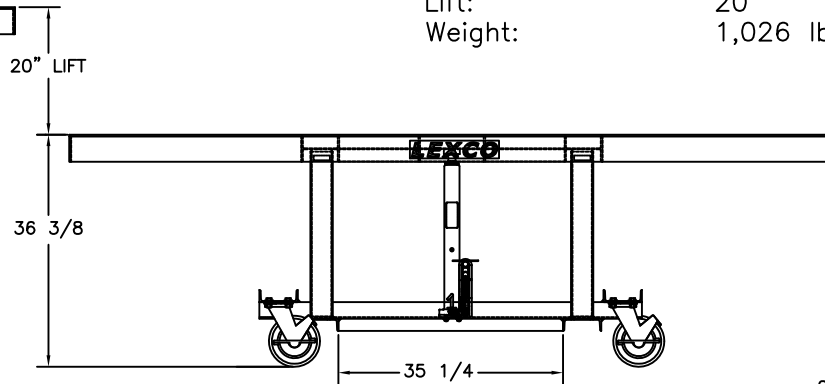
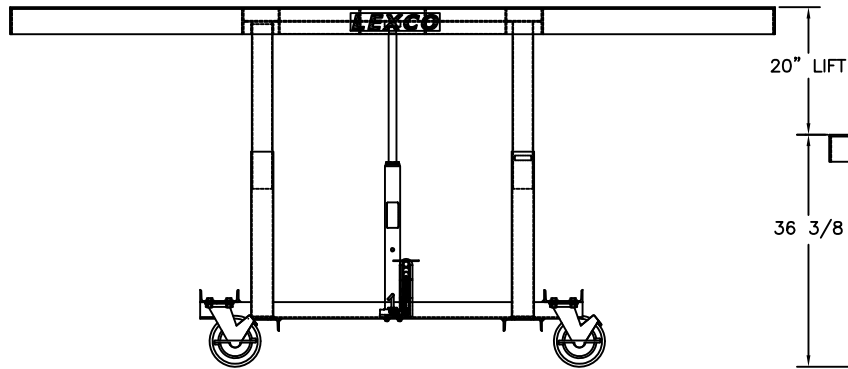
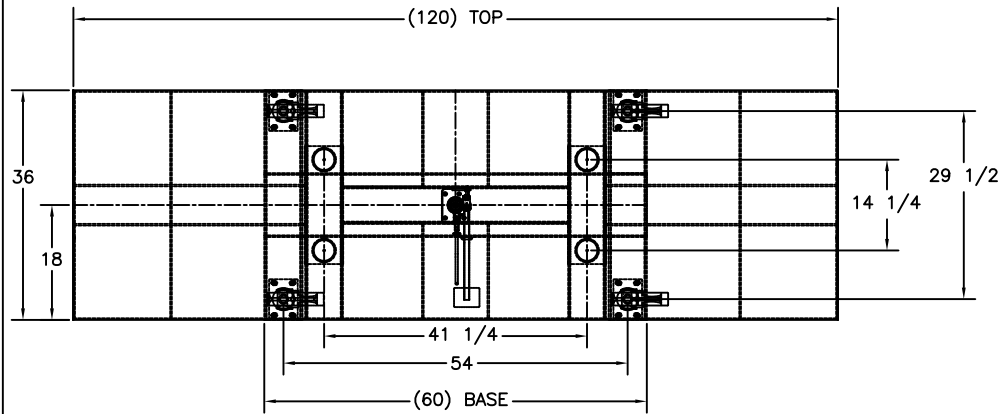


Foot and Powered Portable Hydraulic Lift Table

- AC and DC power option available.
- Load stabilizer assembly on 5000 lbs models.
- 4 swivel 8" steel casters.
- Precision telescoping guide tubes.
- 2 floor locks.
- Table top 3000 lbs models: 0.25" thick steel.
- Table top 5000 lbs models: 0.25" thick steel.

Specs

Capacity: 3000 lbs
 Table Size: 36" x 120"
 Raised Height: 56.375"
 Lowered Height: 36.375"
 Caster: 8"
 Lift: 20"
 Weight: 1,026 lbs



THIS DRAWING IN ALL PARTICULARS IS WESCO INDUSTRIAL PRODUCTS, LLC PROPERTY. ALL RIGHTS OF DESIGN, INVENTION OR USE OF ARE RESERVED.

PRINT ISSUED

JUNE 11, 2020

WESCO MANUFACTURING
ENGINEERING DEPARTMENT

JL	DRW
9559 08/20/09	PRODUCTION RELEASE
A	REV.

WESCO INDUSTRIAL PRODUCTS, LLC NORTH WALES PENNA. 19454	
PART NAME	STN-3610-3F-A
CHECKED:	APP. ENGR.
TOLERANCE UNLESS OTHERWISE SPECIFIED FRACTION 3 PLACE DECIMAL 2 PLACE DECIMAL ± 1/64 ± .005 ± .01 ANGULAR ± 1-1/2° SHEET 1 OF 1	
SCALE: 1" = 1"	492253
REV	A