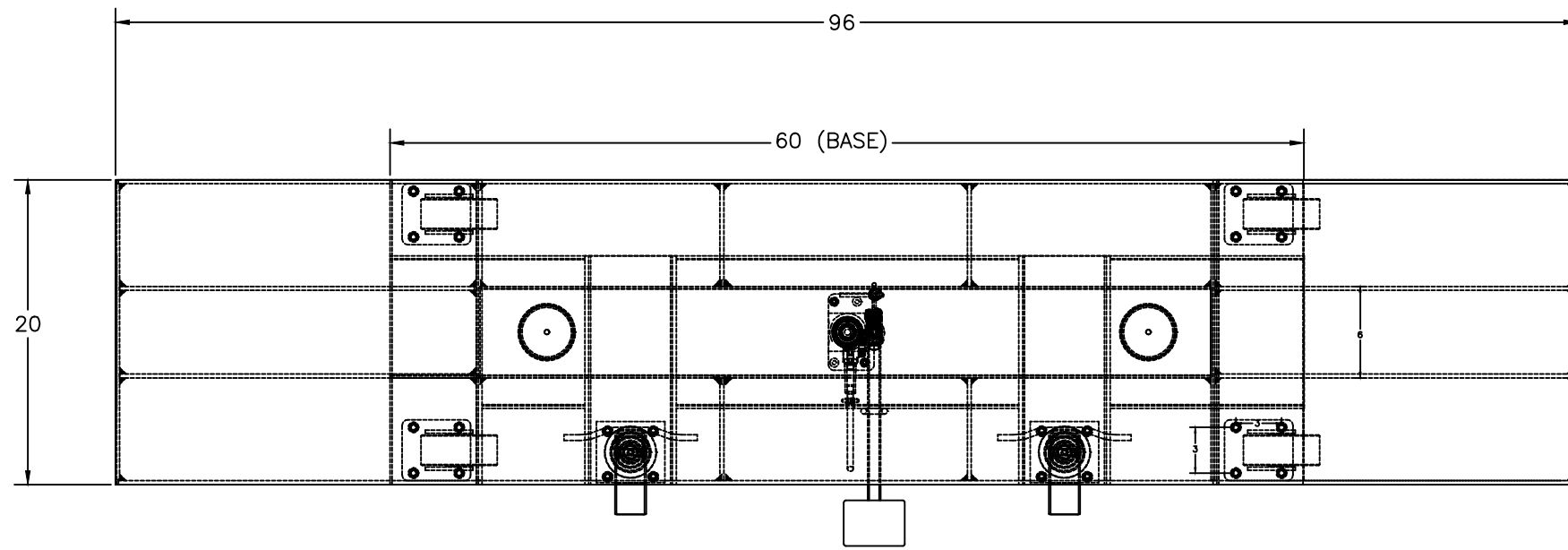


492241

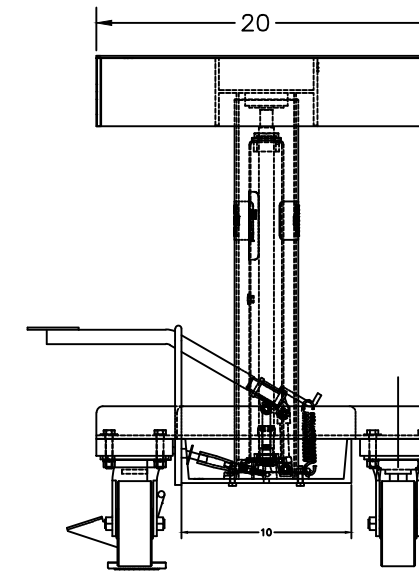
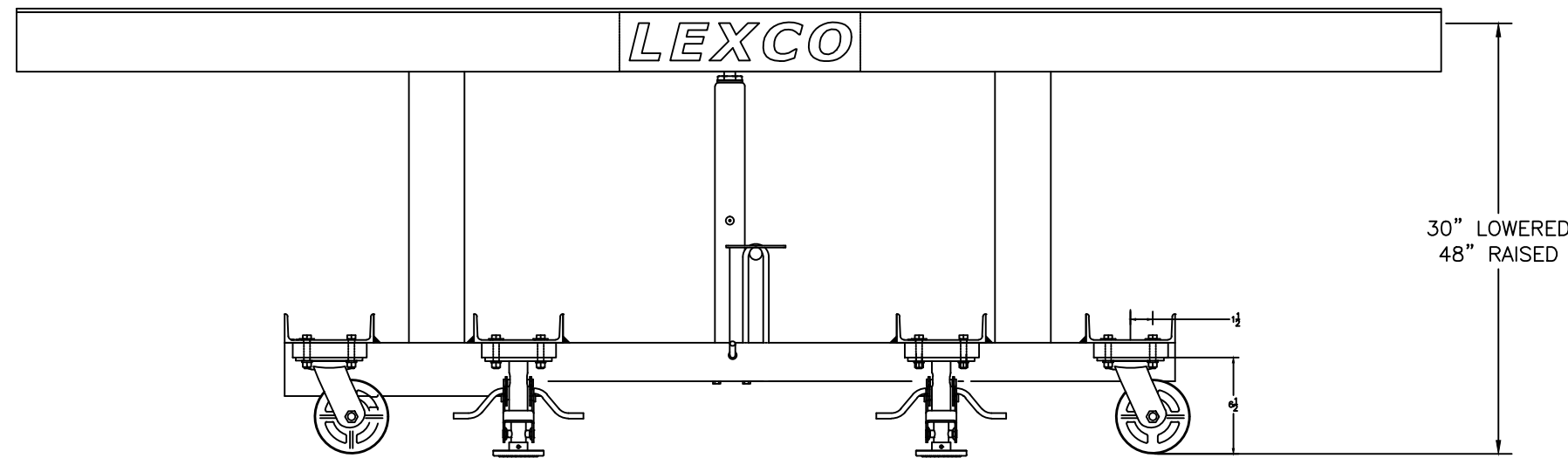


Foot and Powered Portable Hydraulic Lift Table

- AC and DC power option available.
- Standard lift height 30" – 48".
- Optional lift ranges available, call factory.
- 10 gauge steel top.
- Foot operated.
- Precision telescoping guide tubes,
- 4 swivel 5" diameter steel wheels or optional polyurethane wheels.
- 2 floor locks.

Specs

- Capacity: 2000 lbs
- Table size: 20" x 92"
- Raised height: 48"
- Lowered height: 30"
- Caster: 5"
- Lift: 18"
- Weight: 459 lbs



THIS DRAWING IN ALL PARTICULARS IS WESCO INDUSTRIAL PRODUCTS INC. PROPERTY. ALL RIGHTS OF DESIGN, INVENTION OR USE OF ARE RESERVED.

PRINT ISSUED

OCT. 15, 2008

WESCO MANUFACTURING
ENGINEERING DEPARTMENT

6594	10/15/08	JL	APP	WESCO INDUSTRIAL PRODUCTS INC.		DRAWN: J.L. 10-15-08
				LANSDALE PENNA. 19446		
REVISIONS				PART NAME		CHECKED:
EDN & DATE				STN-2008-2F-A		
PRODUCTION RELEASE				STN SERIES, LONG DECK, 2K LIFT		APP. ENGR.
REV.				TOLERANCE UNLESS OTHERWISE SPECIFIED		SCALE: 1" = 1"
A				FRACTION 3 PLACE DECIMAL 2 PLACE DECIMAL		492241
				± 1/64 ± .005 ± .01		
				ANGULAR ± 1-1/2° SHEET 1 OF 1		
				BREAK ALL SHARP EDGES AND REMOVE ALL BURRS		REV A