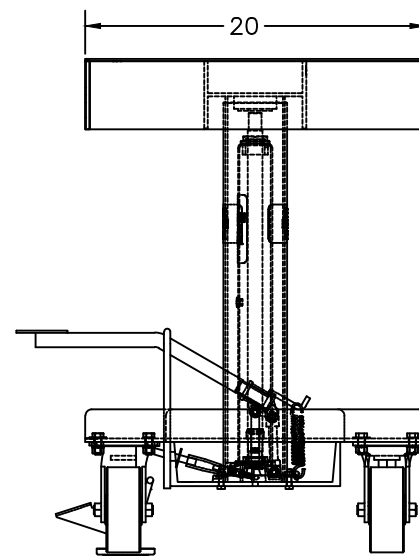
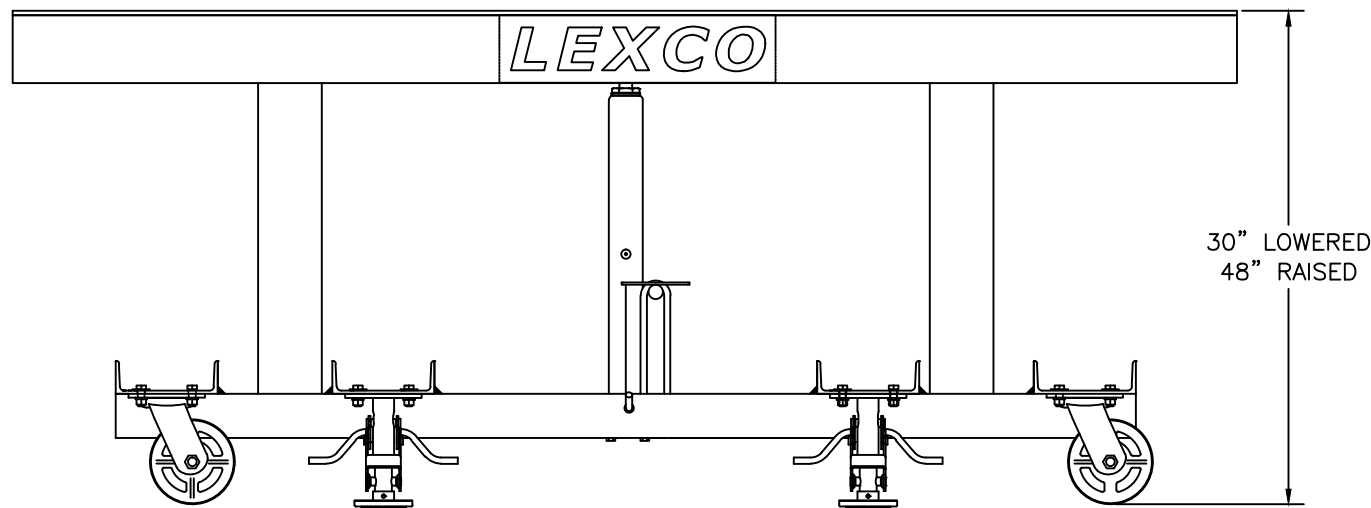
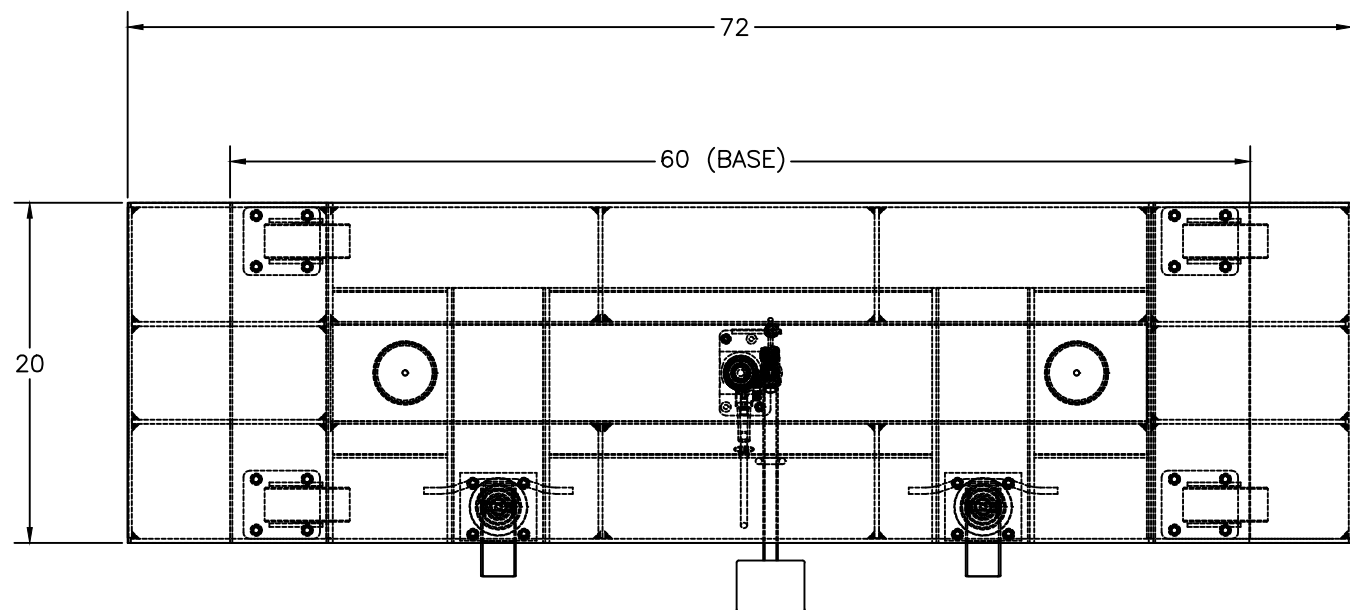


492240



Foot and Powered Portable Hydraulic Lift Table

- AC and DC power option available.
- Standard lift height 30" – 48".
- Optional lift ranges available, call factory.
- 10 gauge steel top.
- Foot operated.
- Precision telescoping guide tubes,
- 4 swivel 5" diameter steel wheels or optional polyurethane wheels.
- 2 floor locks.

Specs

- Capacity: 2000 lbs
- Table size: 20" x 72"
- Raised height: 48"
- Lowered height: 30"
- Caster: 5"
- Lift: 18"
- Weight: 400 lbs

THIS DRAWING IN ALL PARTICULARS IS WESCO INDUSTRIAL PRODUCTS INC. PROPERTY. ALL RIGHTS OF DESIGN, INVENTION OR USE OF ARE RESERVED.

PRINT ISSUED

OCT. 15, 2008

WESCO MANUFACTURING
ENGINEERING DEPARTMENT

6594 10/15/08 PRODUCTION RELEASE	JL	APP	WESCO INDUSTRIAL PRODUCTS INC.		LANSDALE	PENNA. 19446	
	A	REV.	PART NAME		DRAWN: J.L. 10-15-08		
			STN-2006-2F-A		CHECKED:		
			STN SERIES, LONG DECK, 2K LIFT		APP. ENGR.		
TOLERANCE UNLESS OTHERWISE SPECIFIED		SCALE: 1" = 1"		492240		REV	A
FRACTION		3 PLACE DECIMAL	2 PLACE DECIMAL	SHEET 1 OF 1		BREAK ALL SHARP EDGES AND REMOVE ALL BURRS	
± 1/64		± .005	± .01				
ANGULAR ± 1-1/2°							