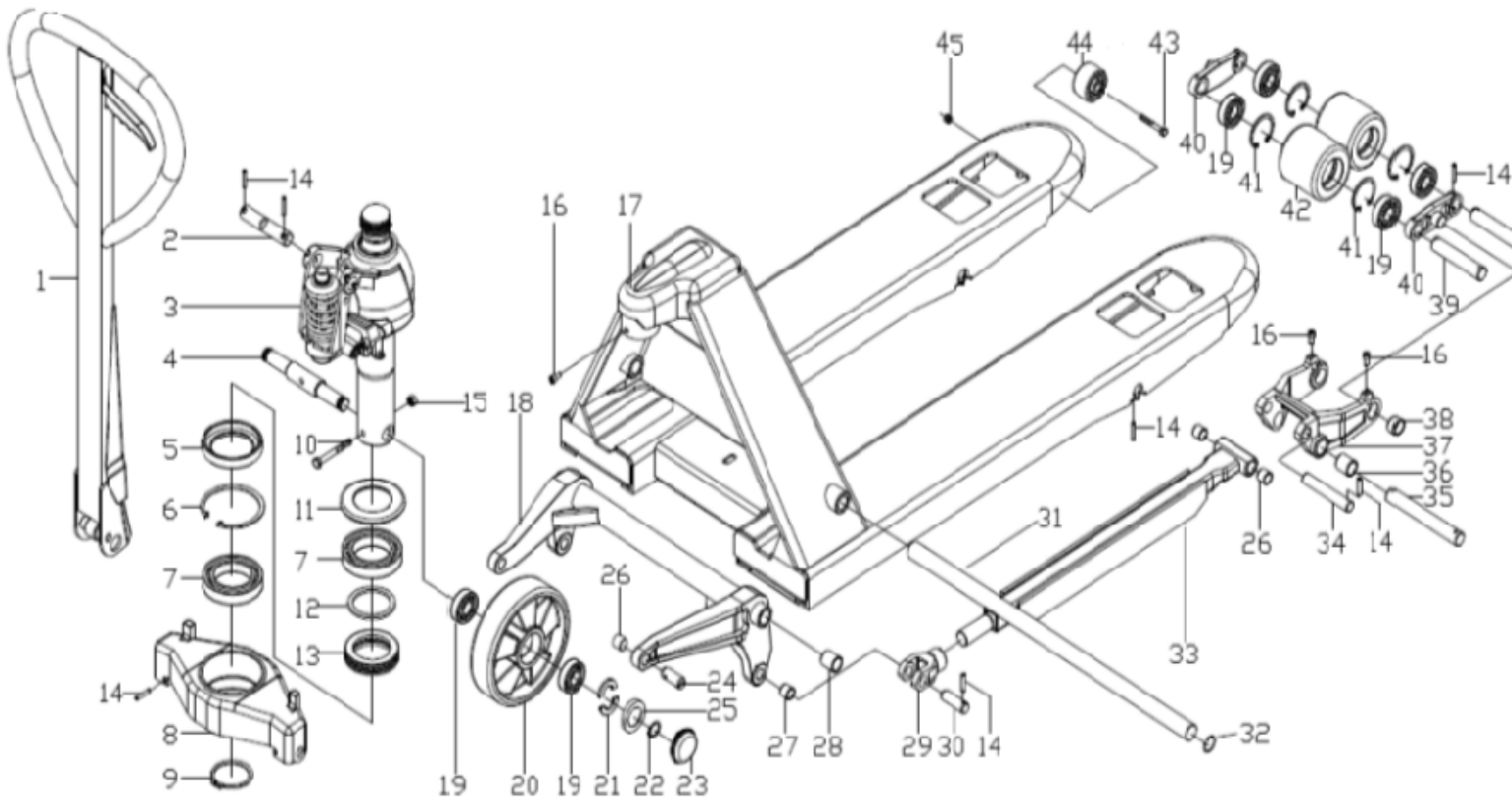


274715



REPLACEMENT PARTS LIST			
ITEM	PART NO.	DESCRIPTION	QTY.
1	XXXXXX	HANDLE ASSEMBLY	1
2		AXIAL COMPRESSION	1
3		OIL PUMP	1
4		AXLE, FRONT WHEEL	1
5		BAFFLE RING	1
6		CIRCLIP FOR HOLE 95	1
7		BEARING 6012-2RS	2
8		SUPPORT SEAT	1
9		CIRCLIP FOR SHAFT 60	1
10		HEXAGON BOLT M8X70	1
11		BEARING COVER	1
12		BACKUP PLATE	1
13		THRUST BALL BEARING 51112	1
14		SPRING PIN 5X28	22
15		LOCKNUT M8	1
16		INNER HEX SCREW M6X12	5
17		TRUCK FRAME	1
18		ROCKER ASSEMBLY 685	1
19		BEARING 6204-2RS	12
20		WHEEL	2
21		SEMI-CIRCULAR RING	4
22		CIRCLIP FOR SHAFT 20	2
23		DUSTPOOF COVER BLACK/WHITE	2
24		PIN ROLL 16X42	2
25		BOWL WASHER	2
26		BUSHING 16X18X15	6
27		BUSHING 16X18X20	2
28		BUSHING 25X30	2
29		COUPLING HEAD	2
30		PIN ROLL 16X44	2
31		LONG SHAFT 685 (NO HOLE)	1
32		CIRCLIP FOR HOLE 25	2
33		CONNECTING ROD 1220	2
34		PIN ROLL 16X100	2
35		PIN ROLL 20X158	2
36		BUSHING 20X23X25	4
37		WHEEL CARRIER	2
38		BUSHING 20X23X12	2
39		PIN ROLL 20X105	4
40		BRACKET PLATE	4
41		CIRCLIP FOR HOLE 47	8
42		FORK WHEEL	4
43		HEX BOLT M6X50	2
44		ENTRY WHEEL BLACK/WHITE	2
45		LOCKNUT M6	2

THIS DRAWING IN ALL PARTICULARS IS WESCO INDUSTRIAL PRODUCTS INC. PROPERTY. ALL RIGHTS OF DESIGN, INVENTION OR USE OF ARE RESERVED.

PRINT ISSUED

AUG. 26, 2020

WESCO MANUFACTURING
ENGINEERING DEPARTMENT

REV.	ECH & DATE	REVISIONS	APP.	
			WESCO INDUSTRIAL PRODUCTS, LLC	
			NORTH WALES PENNA. 19454	
			DRAWING: RWS 08-26-20	
PART NAME			ADVANTAGE PRO MAX	
TOLERANCE UNLESS OTHERWISE SPECIFIED			APP. ENGR.	
FRACTION 3 PLACE DECIMAL 2 PLACE DECIMAL			SCALE:	
± 1/64 ± .005 ± .01			274715	
ANGULAR ± 1-1/2°			SHEET 1 OF 1	
BREAK ALL SHARP EDGES AND REMOVE ALL BURRS			REV A	