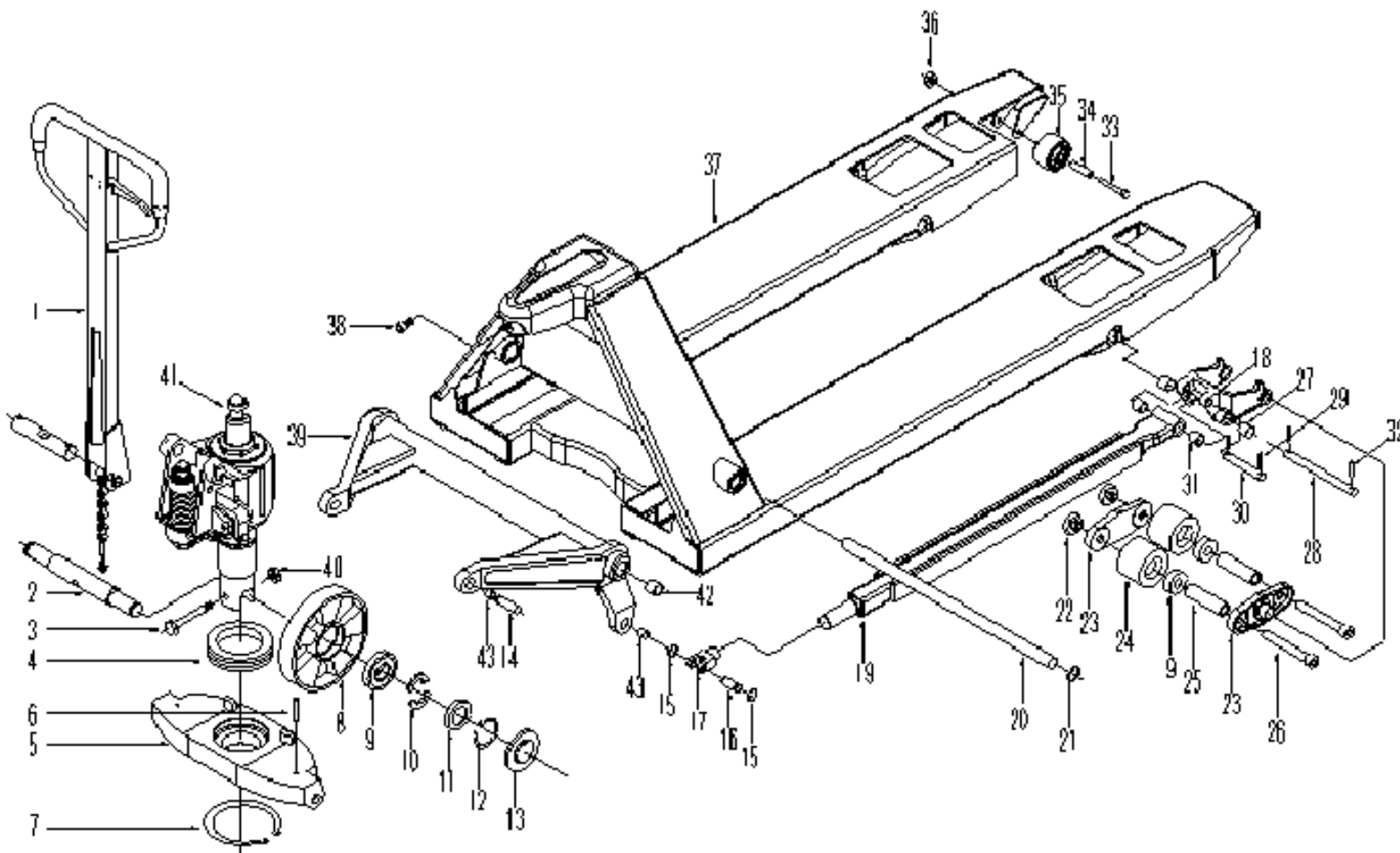


274714



REPLACEMENT PARTS LIST

ITEM	PART NO.	DESCRIPTION	QTY.
1	XXXXXX	HANDLE ASSEMBLY	1
2		WHEEL SHAFT	1
3		BOLT	1
4		BEARING	1
5		BASE	1
6		ROLL PIN	2
7		SNAP RING	1
8		WHEEL -MAIN	2
9		BEARING	12
10		SPLIT WASHER	2
11		WASHER	2
12		SNAP RING	2
13		WHEEL CAP	2
14		PIN	2
15		SNAP RING	4
16		PIN	2
17		ROD END	2
18		WHEEL BRACKET	2
19		PUSH ROD	2
20		ROCKER SHAFT	1
21		SNAP RING	2
22		NUT	4
23		NOG OF FORK WHEEL	4
24		LIFT WHEEL	4
25		BUSHING	4
26		BOLT	4
27		BUSHING	4
28		EXIT AXLE	2
29		ROLL PIN	4
30		PUSH PIN	2
31		BUSHING	4
32		ROLL PIN	4
33		BOLT	2
34		BUSHING	2
35		ENTRY WHEEL	2
36		NUT	2
37		FORK BASE	1
38		SCREW	1
39		ROCKER ARM	1
40		NUT	1
41		HYDRAULIC PUMP	1
42		BUSHING	2
43		BUSHING	4

THIS DRAWING IN ALL PARTICULARS IS WESCO INDUSTRIAL PRODUCTS, LLC PROPERTY. ALL RIGHTS OF DESIGN, INVENTION OR USE OF ARE RESERVED.

PRINT ISSUED

AUG. 26, 2020

WESCO MANUFACTURING  
ENGINEERING DEPARTMENT

WESCO INDUSTRIAL PRODUCTS, LLC  
NORTH WALES PENNA. 19454

PART NAME  
ADVANTAGE PRO MAX  
27 X 48

DRAWING: RWS 08-26-20

CHECKED:

APP. ENGR.

TOLERANCE UNLESS OTHERWISE SPECIFIED

FRACTION 3 PLACE DECIMAL 2 PLACE DECIMAL

± 1/64 ± .005 ± .01

ANGULAR ± 1-1/2° SHEET 1 OF 2

BREAK ALL SHARP EDGES AND REMOVE ALL BURRS

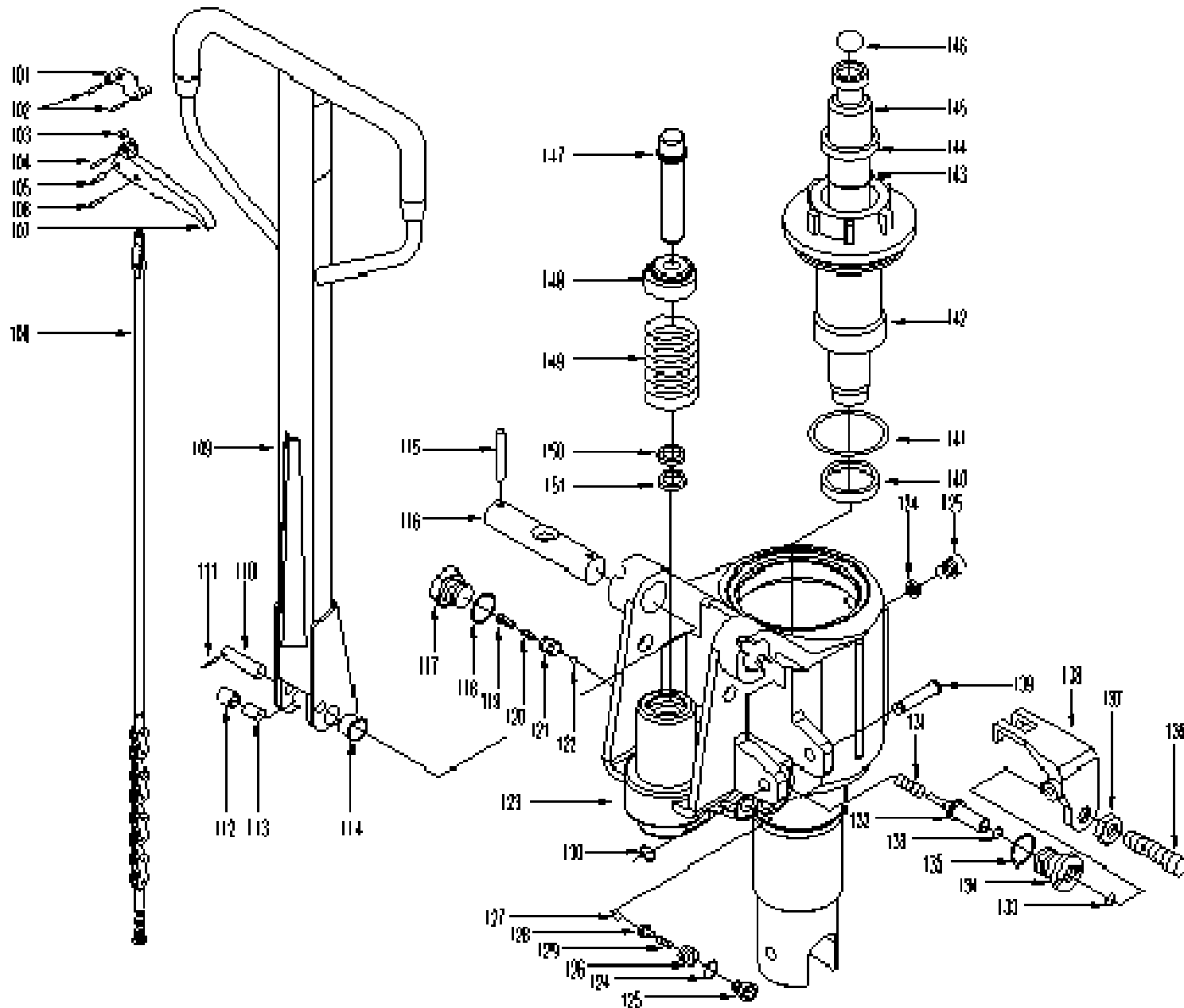
SCALE:

274714

REV A

REV. ECH & DATE REVISIONS APP.

274714



REPLACEMENT PARTS LIST			
ITEM	PART NO.	DESCRIPTION	QTY.
101	XXXXXX	SPRING PLATE	1
102		ROLL PIN	1
103		ROLLER	1
104		ROLL PIN	1
105		ROLL PIN	1
106		ROLL PIN	1
107		CONTROL LEVER	1
108		PLUNGER	1
109		HANDLE BODY	1
110		SHAFT	1
111		ROLL PIN	1
112		ROLLER	1
113		BUSHING	1
114		BUSHING	1
115		ROLL PIN	1
116		HANDLE SHAFT	1
117		PLUG	1
118		WASHER	1
119		SPRING	1
120		VALVE SPINDLE	1
121		VALVE SEAT	1
122		STEEL BALL	1
123		PUMP BODY	1
124		COPPER WASHER	1
125		SCREW	1
126		SCREW	1
127		STEEL BALL	1
128		BALL BASE	1
129		SPRING	1
130		SNAP RING	1
131		SPRING	1
132		STRIKE PIN	1
133		O-RING	1
134		SLEEVE	1
135		O-RING	1
136		SET SCREW	1
137		NUT	1
138		LOWERING LEVER	1
139		PIN	1
140		SEAL	1
141		O-RING	1
142		CYLINDER CAP	1
143		O-RING	1
144		SEAL	1
145		PISTON ROD	1
146		STEEL BALL	1
147		PLUNGER	1
148		SPRING CAP	1
149		SPRING	1
150		SEAL	1
151		SEAL	1

THIS DRAWING IN ALL PARTICULARS IS WESCO INDUSTRIAL PRODUCTS, LLC PROPERTY. ALL RIGHTS OF DESIGN, INVENTION OR USE OF ARE RESERVED.

PRINT ISSUED  
 AUG. 26, 2020  
 WESCO MANUFACTURING  
 ENGINEERING DEPARTMENT

REV. ECH & DATE	WESCO INDUSTRIAL PRODUCTS, LLC		NORTH WALES PENNA. 19454	
	PART NAME		DRAWING: RWS 08-26-20	
	ADVANTAGE PRO MAX 27 X 48		CHECKED:	
	TOLERANCE UNLESS OTHERWISE SPECIFIED		APP. ENGR.	
	FRACTION	3 PLACE DECIMAL	2 PLACE DECIMAL	SCALE:
± 1/64	± .005	± .01		
ANGULAR ± 1-1/2°		SHEET 2 OF 2		
BREAK ALL SHARP EDGES AND REMOVE ALL BURRS				
			274714	REV A