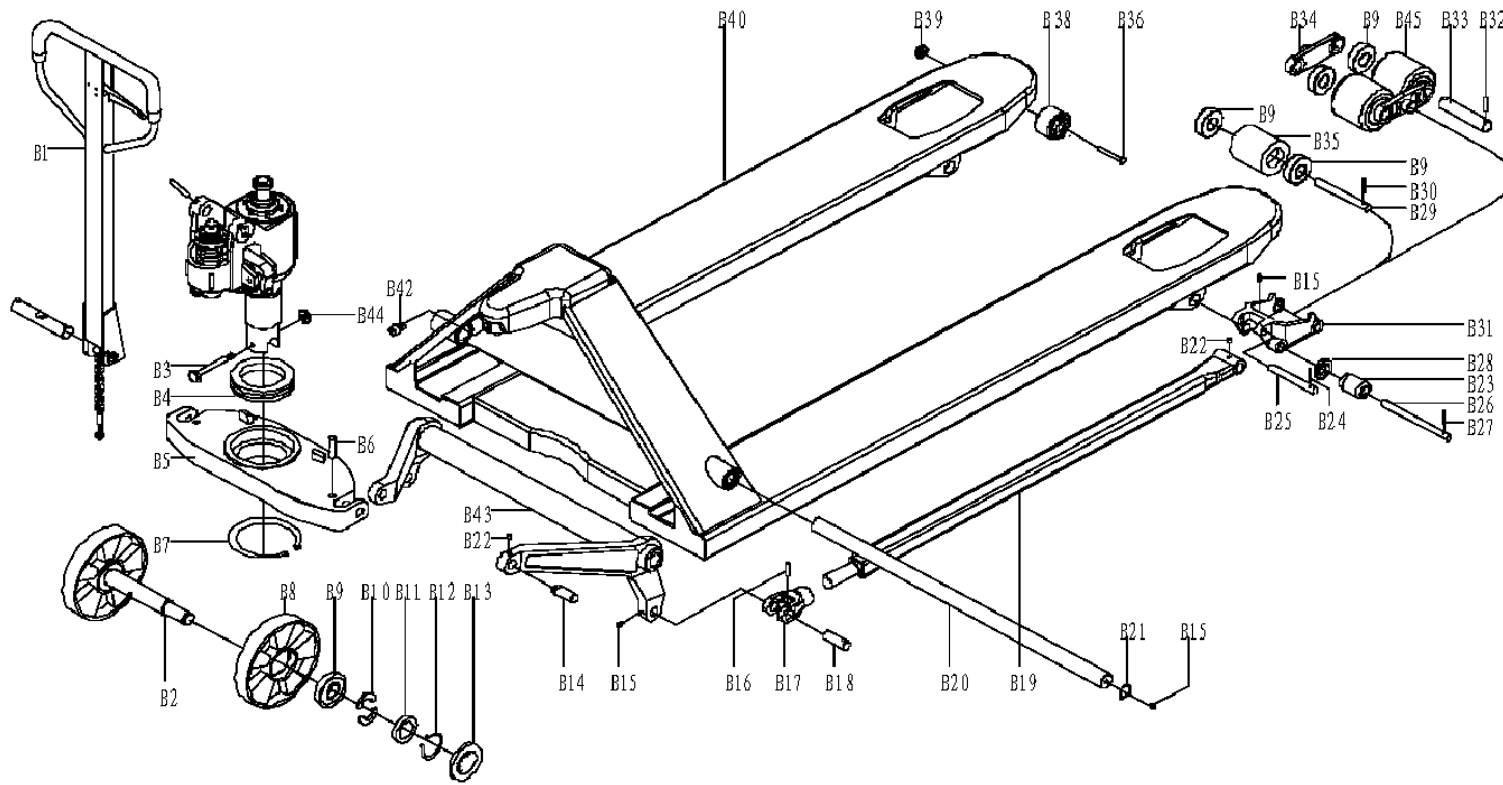


274710



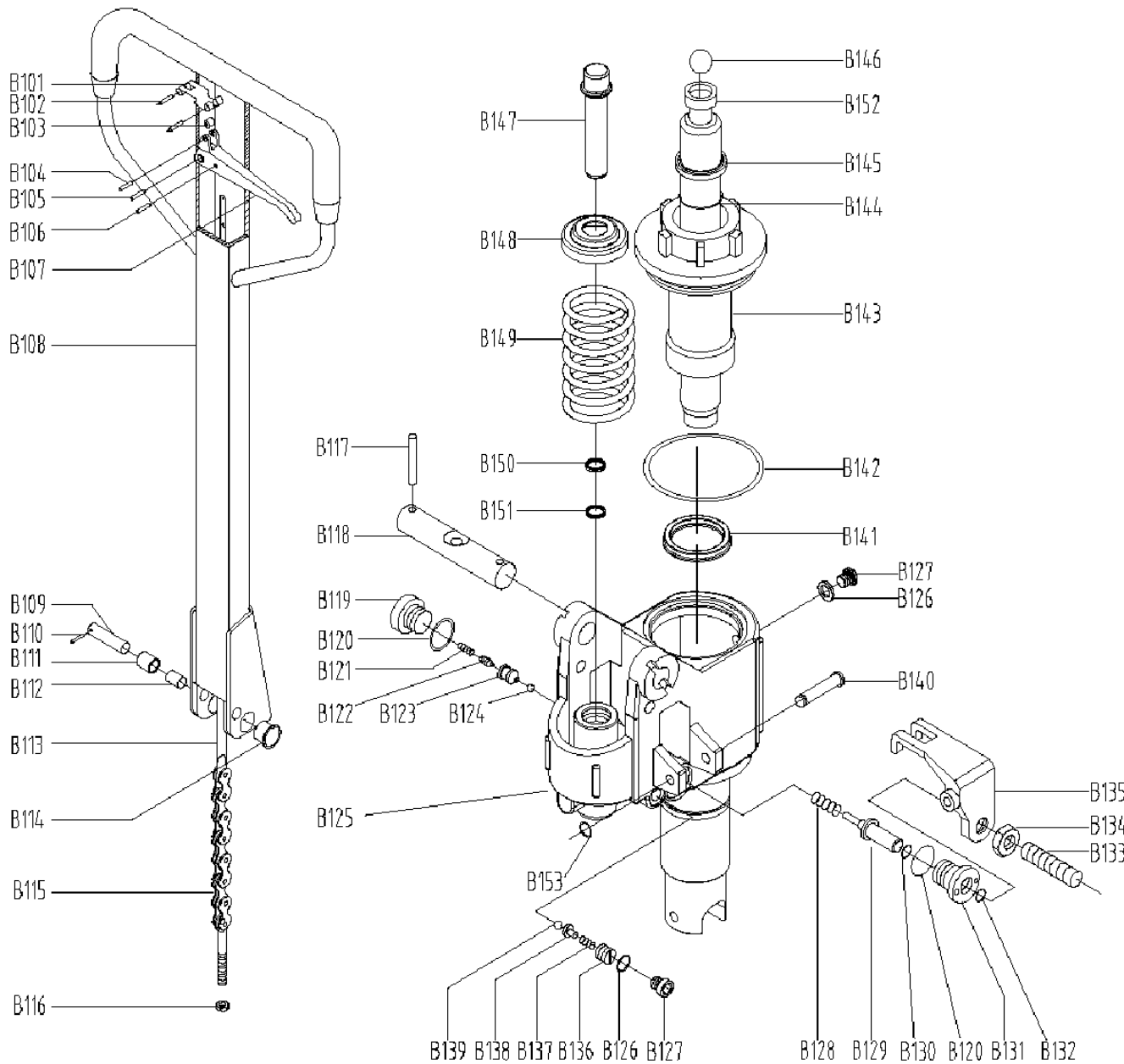
REPLACEMENT PARTS LIST			
ITEM	PART NO.	DESCRIPTION	QTY.
B1	XXXXXX	HANDLE	1
B2		BIG WHEEL SHAFT	1
B3		BOLT M8X55	1
B4		BEARING 8111	1
B5		SUPPORTING BASE	1
B6		SPRING PIN 5X32	2
B7		RING FOR AXLE 55	1
B8		BIG WHEEL	2
B9		BEARING 60204	8/12
B10		HALF RING	4
B11		WASHER	2
B12		RING FOR AXLE 20	2
B13		DUST COVER	2
B14		PIN 16X40	2
B15		OILER M6	6
B16		SPRING PIN 5X28	2
B17		JOINT	2
B18		PIN 16X44	2
B19		STRAIGHT TAPPET	1
B20		LONG SHAFT	1
B21		RING FOR HOLE 25	2
B22		OILER 6	4
B23		ROLL SHEATH	2
B24		SPRING PIN 5X28	2
B25		SHAFT 16X85	2
B26		SHAFT 20X152	2
B27		SPRING PIN 5X35	2
B28		ROLL RING	2
B29		SHAFT 20X122	4
B30		SPRING PIN 5X32	2
B31		FRAME OF WHEEL	2
B32		SPRING PIN 5X32	8
B33		SHAFT 20X95	4
B34		NOG OF WHEEL	4
B35		WHEEL 80/70X93	2
B36		BOLT M6X50	2
B38		WHEEL	2
B39		LOCK NUT M6	2
B40		FORK FRAME	1
B42		BOLT M6X12	1
B43		ROCKER ARM	1
B44		LOCK NUT M8	1
B45		WHEEL 80/74X70	4

THIS DRAWING IN ALL PARTICULARS IS WESCO INDUSTRIAL PRODUCTS, LLC PROPERTY. ALL RIGHTS OF DESIGN, INVENTION OR USE OF ARE RESERVED.

PRINT ISSUED
 AUG. 26, 2020
 WESCO MANUFACTURING
 ENGINEERING DEPARTMENT

REV.	ECH & DATE	REVISIONS	WESCO INDUSTRIAL PRODUCTS, LLC	
			NORTH WALES PENNA. 19454	
			PART NAME ADVANTAGE PRO PALLET TRUCK 21 X 48, 6600 CAP.	
			DRAWING: RWS 08-26-20	
TOLERANCE UNLESS OTHERWISE SPECIFIED			CHECKED:	
FRACTION 3 PLACE DECIMAL 2 PLACE DECIMAL			APP. ENGR.	
± 1/64 ± .005 ± .01			SCALE:	
ANGULAR ± 1-1/2°			SHEET 1 OF 2	
BREAK ALL SHARP EDGES AND REMOVE ALL BURRS			274710 REV A	

274710



REPLACEMENT PARTS LIST			
ITEM	PART NO.	DESCRIPTION	QTY.
B101	XXXXXX	BLADE SPRING	1
B102		SPRING PIN 4X30	2
B103		ROLLER	1
B104		SPRING PIN 4X20	1
B105		SPRING PIN 6X30	1
B106		SPRING PIN 4X20	1
B107		HANDLE	1
B108		HANDLE TUBE	1
B109		SHAFT	1
B110		SPRING PIN 4X20	1
B111		PRESSURE ROLLER	1
B112		BUSH 1220	1
B113		PULL POLE	1
B114		BUSH SF-1F2015	2
B115		CHAIN C-6-9-04A	1
B116		LOCK NUT M5	1
B117		SPRING PIN 5X35	2
B118		SHAFT	1
B119		PLUG M20X1.5	1
B120		COPPER WASHER 20	2
B121		SPRING	1
B122		SPINDLE OF VALVE	1
B123		SEAT OF VALVE	1
B124		BALL 6.35	1
B125		BASE	1
B126		COPPER WASHER 10	2
B127		PLUG M10X1	2
B128		SPRING 1.2X9.8X22	1
B129		STRIKE PIN	1
B130		O-RING 7X1.8	1
B131		SEAT OF STRIKE PIN	1
B132		O-RING 8X2.65	1
B133		BOLT M6X25	1
B134		NUT M6	1
B135		LEVER PLATE	1
B136		BOLT M10X1	1
B137		SPRING 2X8X16	1
B138		BALL BASE	1
B139		BALL 5	1
B140		PIN 8X58	1
B141		Y-RING 31.5	1
B142		O-RING 65X2.65	1
B143		CYLINDER CAP 31.5	1
B144		O-RING 31.5X3.55	1
B145		DUST RING 31.5	1
B146		BALL 19.05	1
B147		PUMP PLUNGER	1
B148		WASHER	1
B149		SPRING	1
B150		DUST RING 18	1
B151		Y-RING 18	1
B152		PISTON ROD	1
B153		RING FOR AXLE 8	1

THIS DRAWING IN ALL PARTICULARS IS WESCO INDUSTRIAL PRODUCTS, LLC PROPERTY. ALL RIGHTS OF DESIGN, INVENTION OR USE OF ARE RESERVED.

PRINT ISSUED

AUG. 26, 2020

WESCO MANUFACTURING
ENGINEERING DEPARTMENT

REV.	ECH & DATE	REVISONS	APP.	
			WESCO INDUSTRIAL PRODUCTS, LLC	
			NORTH WALES PENNA. 19454	
			DRAWING: RWS 08-26-20	
PART NAME			CHECKED:	
ADVANTAGE PRO PALLET TRUCK			APP. ENGR.	
21 X 48, 6600 CAP.				
TOLERANCE UNLESS OTHERWISE SPECIFIED				
FRACTION		3 PLACE DECIMAL	2 PLACE DECIMAL	SCALE:
± 1/64		± .005	± .01	
ANGULAR ± 1-1/2°		SHEET 2 OF 2		274710
BREAK ALL SHARP EDGES AND REMOVE ALL BURRS				

REV A