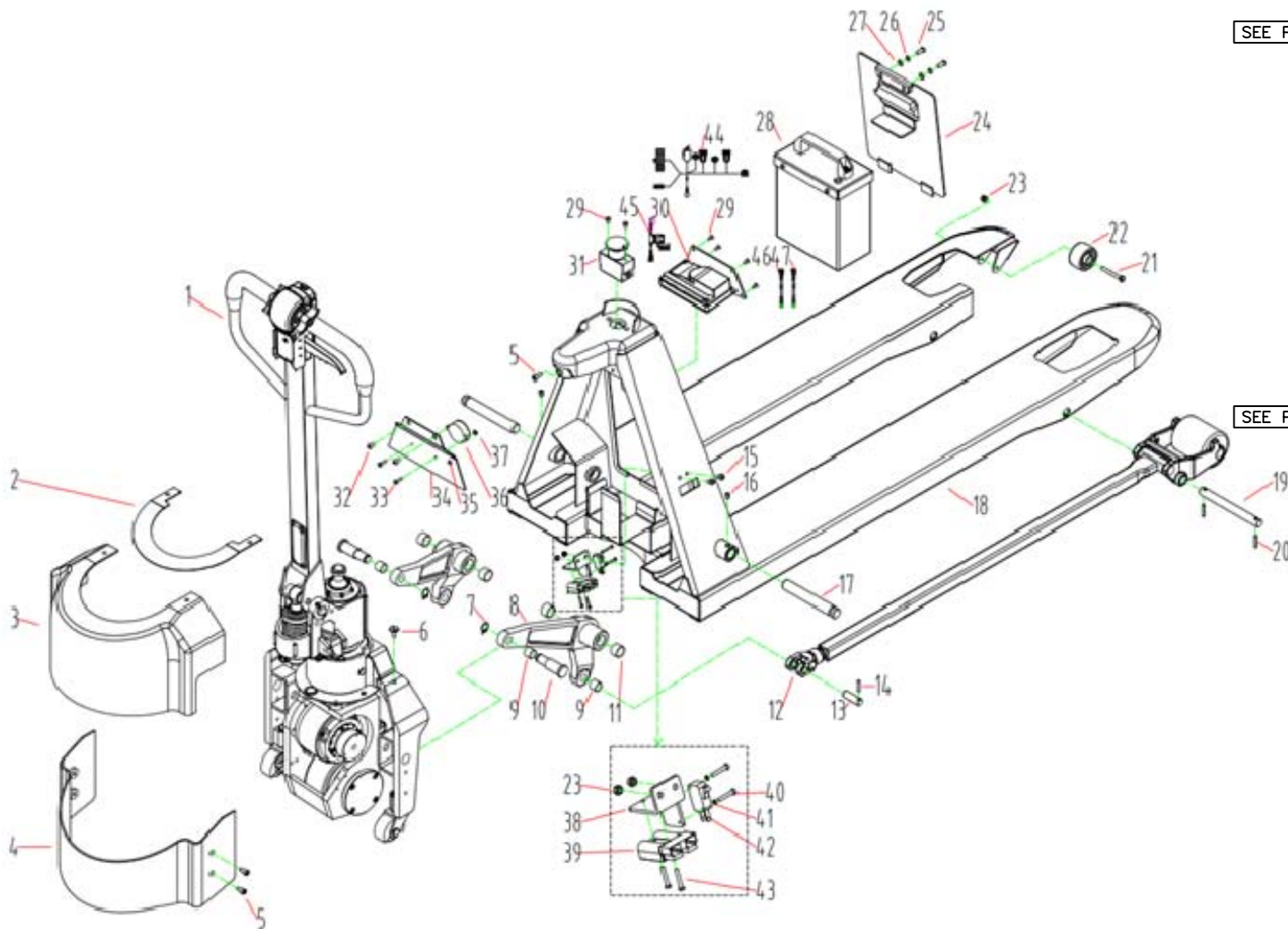


GENERAL ASSEMBLY



REPLACEMENT PARTS LIST				
ITEM	PART NO.	DESCRIPTION	QTY.	
SEE PAGE 3	1	XXXXXX	STEERING GEAR ASSEMBLY	1
	2		COVER PLATE	1
	3		REAR COVER	1
	4		REAR COVER ASSEMBLY	1
	5		SCREW M6X12	5
	6		SCREW M6X16	2
	7		CIRCLIP FOR SHAFT 16	2
	8		ROCKER ARM ASSEMBLY	1
	9		BEARING SF-1-16X15	4
	10		PIN	2
	11		BEARING SF-1-16X15	4
SEE PAGE 8	12		CONNECTING ROD AND WHEEL CARRIAGE	2
	13		PIN 16X44	2
	14		PIN 5x28	2
	15		SCREW M6X16	2
	16		SCREW M8X10	2
	17		SHAFT	2
	18		TRUCK FRAME ASSEMBLY (LITHIUM BATTERY)	1
	19		PIN 16x158	2
	20		PIN 5X32	4
	21		SCREW M6X50	2
	22		WHEEL	2
	23		LOCKNUT M6	2
	24		BATTERY COVER PLATE ASSY (LITHIUM BATTERY)	1
	25		SCREW M6X16	2
	26		WASHER 6	2
	27		WASHER 6	2
	28		LITHIUM BATTERY BOX ASS'Y	1
	29		SCREW M5X12	6
SEE PAGE 2	30		CONTROLLER ASSEMBLY	1
	31		REMOVABLE EMERGENCY STOP SWITCH	1
	32		SCREW M6X10	2
	33		SCREW M3X16	2
	34		FRONT GUARD PLATE	1
	35		LED SEAT (5MM)	1
	36		BUZZER	1
	37		LOCKNUT M3	2
	38		FIXED PLATE	1
	39		CHARGING PLUG	1
	40		SCREW M3X16	2
	41		WASHER 3	2
	42		MICROSWITCH TMV164-C	1
	43		SCREW M3X20	2
	44		WIRING HARNESS CHART	1
	45		CONNECTING WIRE B+	1
	46		MOTOR WIRE M1	1
	47		MOTOR WIRE M2	1

THIS DRAWING IN ALL PARTICULARS IS WESCO INDUSTRIAL PRODUCTS, LLC PROPERTY. ALL RIGHTS OF DESIGN, INVENTION OR USE OF ARE RESERVED.

PRINT ISSUED

AUG. 26, 2020

WESCO MANUFACTURING
ENGINEERING DEPARTMENT

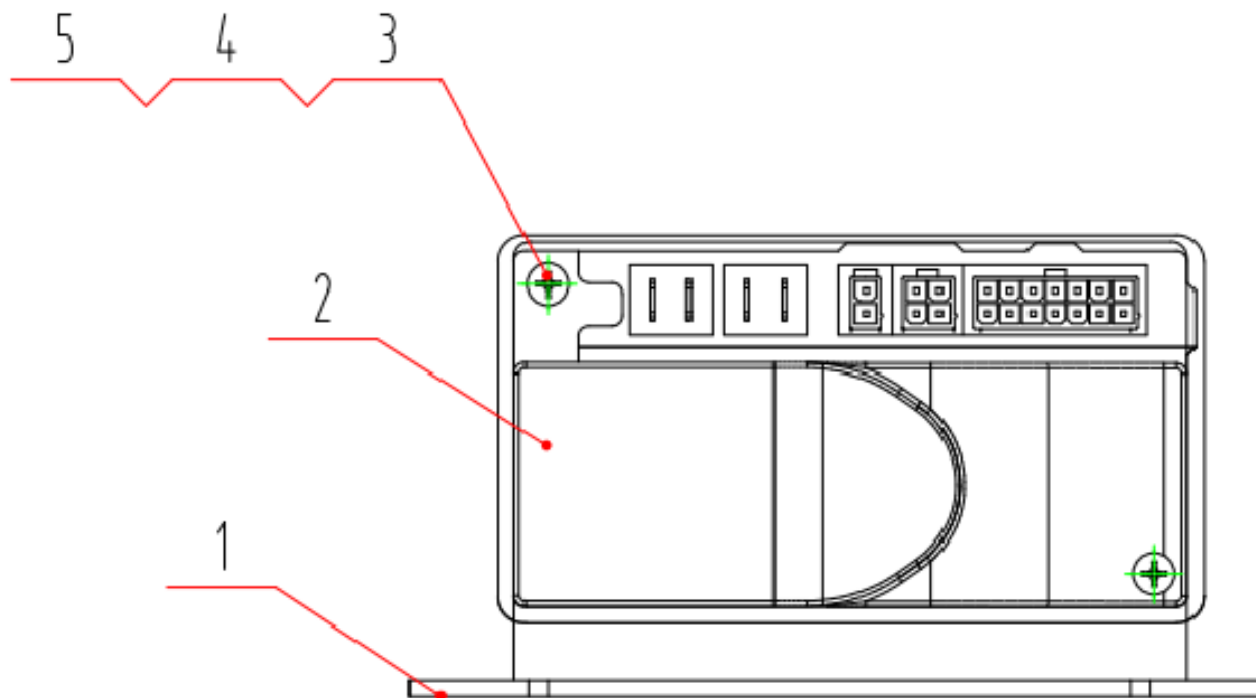
REV.	ECH & DATE	REVISIONS	APP.	WESCO INDUSTRIAL PRODUCTS, LLC	
				NORTH WALES PENNA. 19454	
				DRAWING: RWS 08-26-20	
				CHECKED:	
				APP. ENGR.	
				SCALE:	
				274700	
				REV A	

PART NAME		
ADVANTAGE POWER (27 X 48)		
TOLERANCE UNLESS OTHERWISE SPECIFIED		
FRACTION	3 PLACE DECIMAL	2 PLACE DECIMAL
± 1/64	± .005	± .01
ANGULAR ± 1-1/2°		
SHEET 1 OF 9		
BREAK ALL SHARP EDGES AND REMOVE ALL BURRS		

274700

CONTROLLER ASSEMBLY

REPLACEMENT PARTS LIST			
ITEM	PART NO.	DESCRIPTION	QTY.
1	XXXXXX	BASEPLATE	1
2		CONTROLLER	1
3		SCREW M4X25	2
4		WASHER 4	2
5		WASHER 4	2



THIS DRAWING IN ALL PARTICULARS IS WESCO INDUSTRIAL PRODUCTS, LLC PROPERTY. ALL RIGHTS OF DESIGN, INVENTION OR USE OF ARE RESERVED.

PRINT ISSUED

AUG. 26, 2020

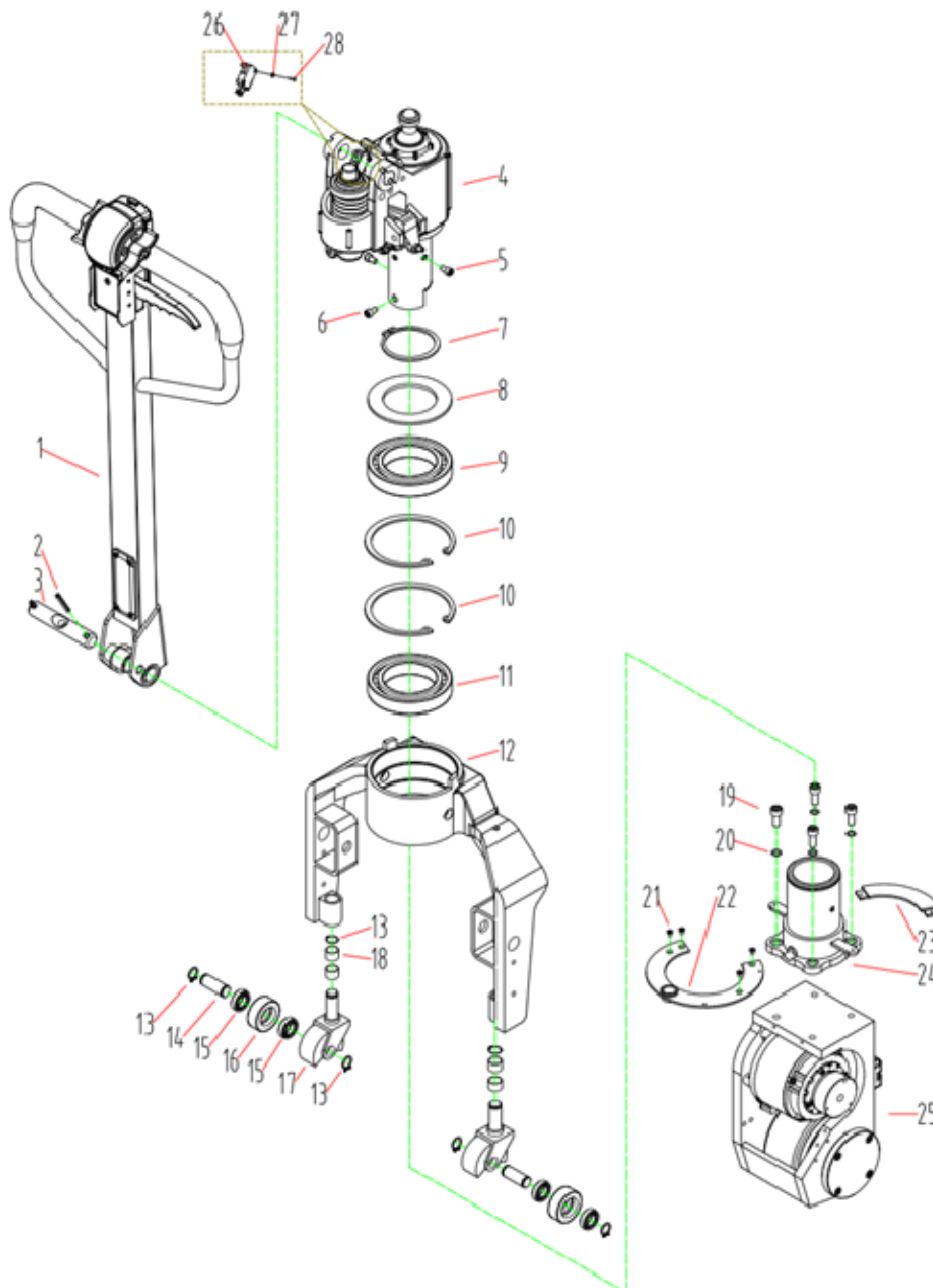
WESCO MANUFACTURING
ENGINEERING DEPARTMENT

REV. ECH & DATE
REVISIONS
APP.

WESCO INDUSTRIAL PRODUCTS, LLC NORTH WALES PENNA. 19454	
PART NAME ADVANTAGE POWER (27 X 48)	DRAWN: RWS 08-26-20 CHECKED: APP. ENGR.
TOLERANCE UNLESS OTHERWISE SPECIFIED	
FRACTION 3 PLACE DECIMAL 2 PLACE DECIMAL $\pm 1/64$ $\pm .005$ $\pm .01$	SCALE: 274700
ANGULAR $\pm 1-1/2^\circ$ SHEET 2 OF 9 BREAK ALL SHARP EDGES AND REMOVE ALL BURRS	REV A

274700

STEERING GEAR ASSEMBLY



		REPLACEMENT PARTS LIST		
	ITEM	PART NO.	DESCRIPTION	QTY.
SEE PAGE 4	1	XXXXXX	HANDLE ASSEMBLY	1
	2		PIN 5X40	2
	3		PINCH ROLLER SHAFT	1
SEE PAGE 5	4		PUMP ASSEMBLY	1
	5		SCREW M6X10	3
	6		SCREW M8X16	1
	7		CIRCLIP FOR SHAFT 70	1
	8		WASHER	1
	9		BEARING 7014AC	1
	10		CIRCLIP FOR HOLE 110	2
	11		BEARING 6014-2RS	1
	12		SUPPORT SEAT ASSEMBLY	1
	13		CIRCLIP FOR SHAFT 15	6
	14		AXLE	2
	15		BEARING 61902-2RS	4
	16		UNIVERSAL WHEEL	2
	17		UNIVERSAL WHEEL CARRIAGE	2
	18		BEARING SF-1-20X15	4
	19		SCREW M8X20	4
	20		WASHER 8	4
	21		SCREW M4X8	4
	22		TURNTABLE ASSEMBLY	1
	23		TURNTABLE ASSEMBLY PART	1
	24		BASE ASSEMBLY	1
SEE PAGE 6	25		DRIVE WHEEL ASSEMBLY	1
	26		MICROSWITCH TMV164-C	1
	27		WASHER 3	2
	28		SCREW M3X16	2

THIS DRAWING IN ALL PARTICULARS IS WESCO INDUSTRIAL PRODUCTS, LLC PROPERTY. ALL RIGHTS OF DESIGN, INVENTION OR USE OF ARE RESERVED.

PRINT ISSUED

AUG. 26, 2020

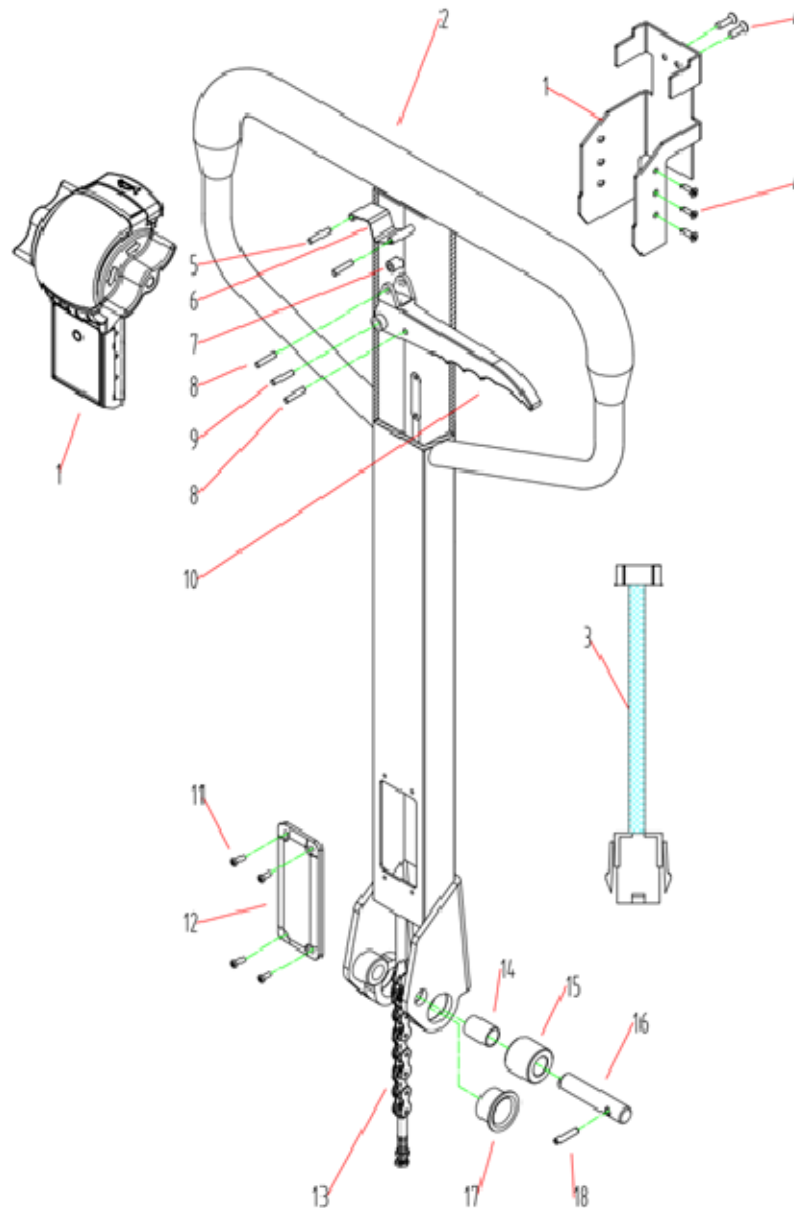
WESCO MANUFACTURING
ENGINEERING DEPARTMENT

REV. ECH & DATE REVISIONS APP.

WESCO INDUSTRIAL PRODUCTS, LLC NORTH WALES PENNA. 19454	
PART NAME	ADVANTAGE POWER (27 X 48)
DRAWN	RWS 08-26-20
CHECKED	
APP. ENGR.	
TOLERANCE UNLESS OTHERWISE SPECIFIED	
FRACTION	3 PLACE DECIMAL 2 PLACE DECIMAL
± 1/64	± .005 ± .01
ANGULAR ± 1-1/2°	SHEET 3 OF 9
BREAK ALL SHARP EDGES AND REMOVE ALL BURRS	
SCALE:	274700 REV A

274700

HANDLE ASSEMBLY



REPLACEMENT PARTS LIST			
ITEM	PART NO.	DESCRIPTION	QTY.
1	XXXXXX	COMPACT HANDLE	1
2		HANDLE ASSEMBLY	1
3		WIRING HARNESS	1
4		SCREW ST2.9X9.5	8
5		PIN 4X31	2
6		FIXED PLATE	1
7		ROLLER WHEEL	1
8		PIN 4X20	1
9		PIN 6X31	1
10		KNOB	1
11		SCREW M3x8	4
12		PLASTIC COVER	1
13		PILL ROD ASSEMBLY	1
14		BEARING SF-1-12.20	1
15		PINCH ROLLER	1
16		PIN 12X60	1
17		BEARING SF-1F-200.150	2
18		PIN 3X20	1

THIS DRAWING IN ALL PARTICULARS IS WESCO INDUSTRIAL PRODUCTS, LLC PROPERTY. ALL RIGHTS OF DESIGN, INVENTION OR USE OF ARE RESERVED.

PRINT ISSUED

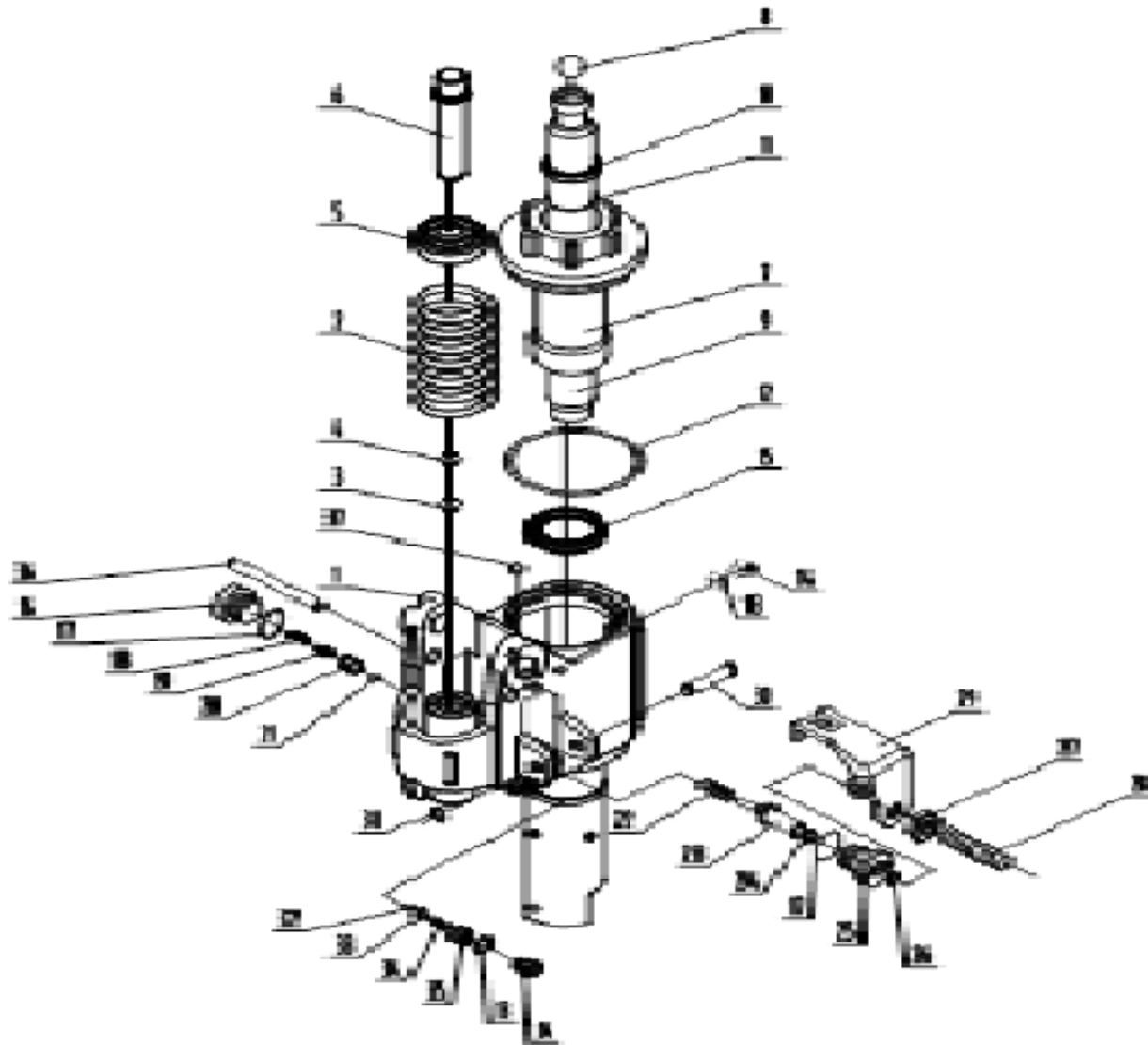
AUG. 26, 2020

WESCO MANUFACTURING
ENGINEERING DEPARTMENT

REV. ECH & DATE	PART NAME		WESCO INDUSTRIAL PRODUCTS, LLC	
	ADVANTAGE POWER (27 X 48)		NORTH WALES PENNA. 19454	
	DRAWING: RWS 08-26-20		CHECKED:	
	APP. ENGR.		SCALE:	
REVISIONS	TOLERANCE UNLESS OTHERWISE SPECIFIED			
	FRACTION	3 PLACE DECIMAL	2 PLACE DECIMAL	
	± 1/64	± .005	± .01	
	ANGULAR ± 1-1/2°	SHEET 4 OF 9		
	BREAK ALL SHARP EDGES AND REMOVE ALL BURRS			274700
				REV A

274700

PUMP ASSEMBLY



REPLACEMENT PARTS LIST			
ITEM	PART NO.	DESCRIPTION	QTY.
1	XXXXXX	BASE ASSEMBLY	1
2		BIG SPRING ?5.5x48x100?	1
3		SEAL RING UHS18-26-5	1
4		DUST RING DHS18-26-4.5/6	1
5		BIG SPRING CAP	1
6		PUMP CORE	1
7		GUIDE SLEEVE	1
8		STEEL BALL 3/4	1
9		PISTON ROD	1
10		DUST RING DHS35-43-5/6.5	1
11		O-RING 35X3.55	1
12		O-RING 65X2.65	1
13		WASHER 10	2
14		SCREW	2
15		SEAL RING UHS35-45-6	1
16		SCREW	1
17		WASHER 20	2
18		SPRING	1
19		VALVE CORE	1
20		VALVE BODY	1
21		STEEL BALL 6.35	1
22		SPRING	1
23		STRIKER PIN	1
24		O-RING 6.9X1.8	1
25		STRIKER PIN SEAT	1
26		O-RING 8X2.65	1
27		NUT M6	1
28		SCREW M6X25	1
29		LEVER PLATE	1
30		SHAFT	1
31		CIRCLIP FOR SHAFT 8	1
32		STEEL BALL 5	1
33		BALL SEAT	1
34		SPRING	1
35		SCREW	1
36		PIN	1
37		MAGNETIC STEEL	1

THIS DRAWING IN ALL PARTICULARS IS WESCO INDUSTRIAL PRODUCTS, LLC PROPERTY. ALL RIGHTS OF DESIGN, INVENTION OR USE OF ARE RESERVED.

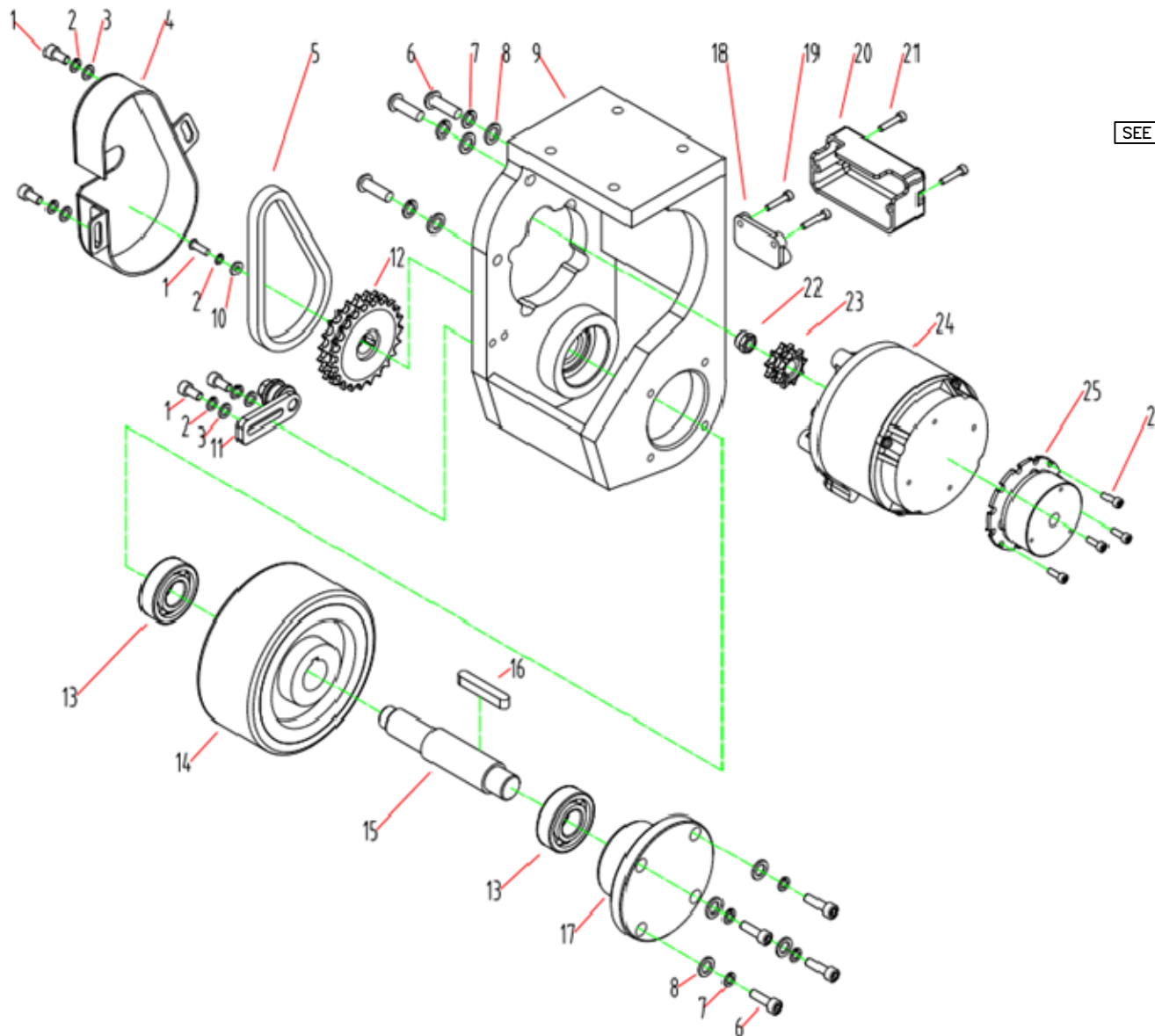
PRINT ISSUED

AUG. 26, 2020

WESCO MANUFACTURING
ENGINEERING DEPARTMENT

REV. ECH & DATE	APP. REVISIONS		APP.	
	<p>WESCO INDUSTRIAL PRODUCTS, LLC NORTH WALES PENNA. 19454</p>			
	PART NAME		DRAWING: RWS 08-26-20	
	ADVANTAGE POWER (27 X 48)		CHECKED:	
TOLERANCE UNLESS OTHERWISE SPECIFIED				APP. ENGR.
FRACTION	3 PLACE DECIMAL	2 PLACE DECIMAL	SCALE:	
± 1/64	± .005	± .01	274700	
ANGULAR ± 1-1/2°		SHEET 5 OF 9		REV A
BREAK ALL SHARP EDGES AND REMOVE ALL BURRS				

DRIVE WHEEL ASSEMBLY



REPLACEMENT PARTS LIST			
ITEM	PART NO.	DESCRIPTION	QTY.
1	XXXXXX	SCREW M6X12	6
2		WASHER 6	6
3		WASHER 6	5
4		PROTECTIVE COVER ASSEMBLY	1
5		ROLLER CHAIN 06B-2-36	1
6		SCREW M8X25	7
7		WASHER 8	7
8		WASHER 8	7
9		MOTOR MOUNTING SEAT	1
10		WASHER	1
11		CHAIN TIGHTENING ASSEMBLY	1
12		CHAIN WHEEL (23 GEARS)	1
13		BEARING 6204-2RS (level P5)	2
14		WHEEL	1
15		PIN	1
16		FLAT KEY 8X50	1
17		COVER	1
18		TERMINAL BOARD	1
19		SCREW M4X12	2
20		WIRING BOX	1
21		SCREW M4X30	2
22		LOCKNUT M8	1
23		SMALL CHAIN WHEEL (9 GEARS)	1
24		MOTOR 24V/450W	1
25		BRAKE 24V/4N.m	1
26		SCREW M4X12	4

SEE PAGE 7

THIS DRAWING IN ALL PARTICULARS IS WESCO INDUSTRIAL PRODUCTS, LLC PROPERTY. ALL RIGHTS OF DESIGN, INVENTION OR USE OF ARE RESERVED.

PRINT ISSUED

AUG. 26, 2020

WESCO MANUFACTURING
ENGINEERING DEPARTMENT

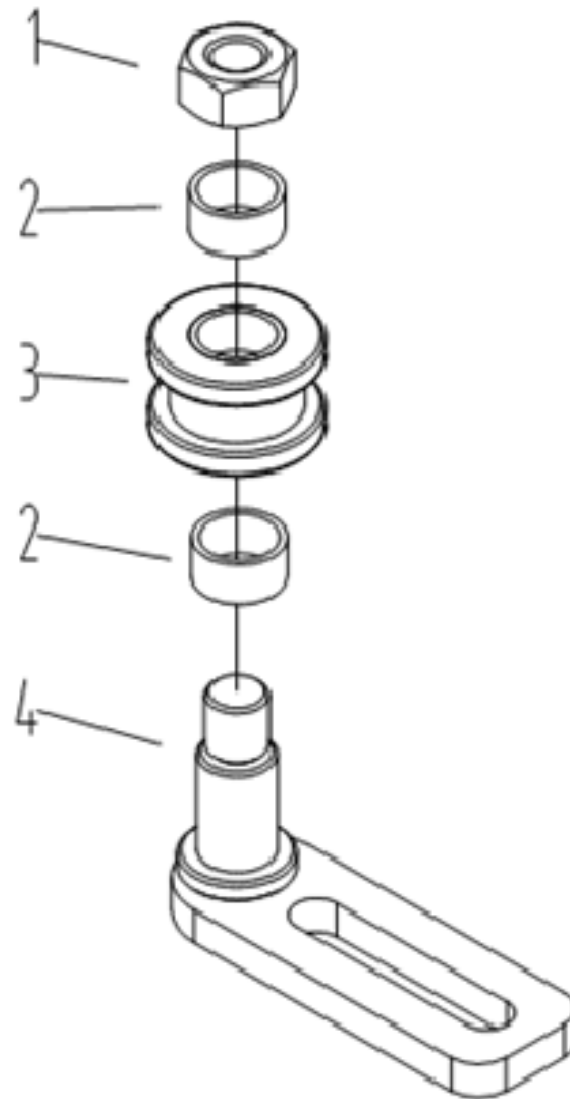
REV. ECH & DATE
REVISIONS
APP.

WESCO INDUSTRIAL PRODUCTS, LLC NORTH WALES PENNA. 19454	
PART NAME ADVANTAGE POWER (27 X 48)	DRAWING: RWS 08-26-20 CHECKED: APP. ENGR.
TOLERANCE UNLESS OTHERWISE SPECIFIED	
FRACTION 3 PLACE DECIMAL 2 PLACE DECIMAL ± 1/64 ± .005 ± .01	SCALE: 274700
ANGULAR ± 1-1/2° SHEET 6 OF 9 BREAK ALL SHARP EDGES AND REMOVE ALL BURRS	REV A

274700

CHAIN TIGHTENING ASSEMBLY

REPLACEMENT PARTS LIST			
ITEM	PART NO.	DESCRIPTION	QTY.
1	XXXXXX	LOCKNUT M8	1
2		BEARING SF-1-10.06	2
3		PINCH ROLLER	1
4		PINCH ROLLER SEAT	1



THIS DRAWING IN ALL PARTICULARS IS WESCO INDUSTRIAL PRODUCTS, LLC PROPERTY. ALL RIGHTS OF DESIGN, INVENTION OR USE OF ARE RESERVED.

PRINT ISSUED

AUG. 26, 2020

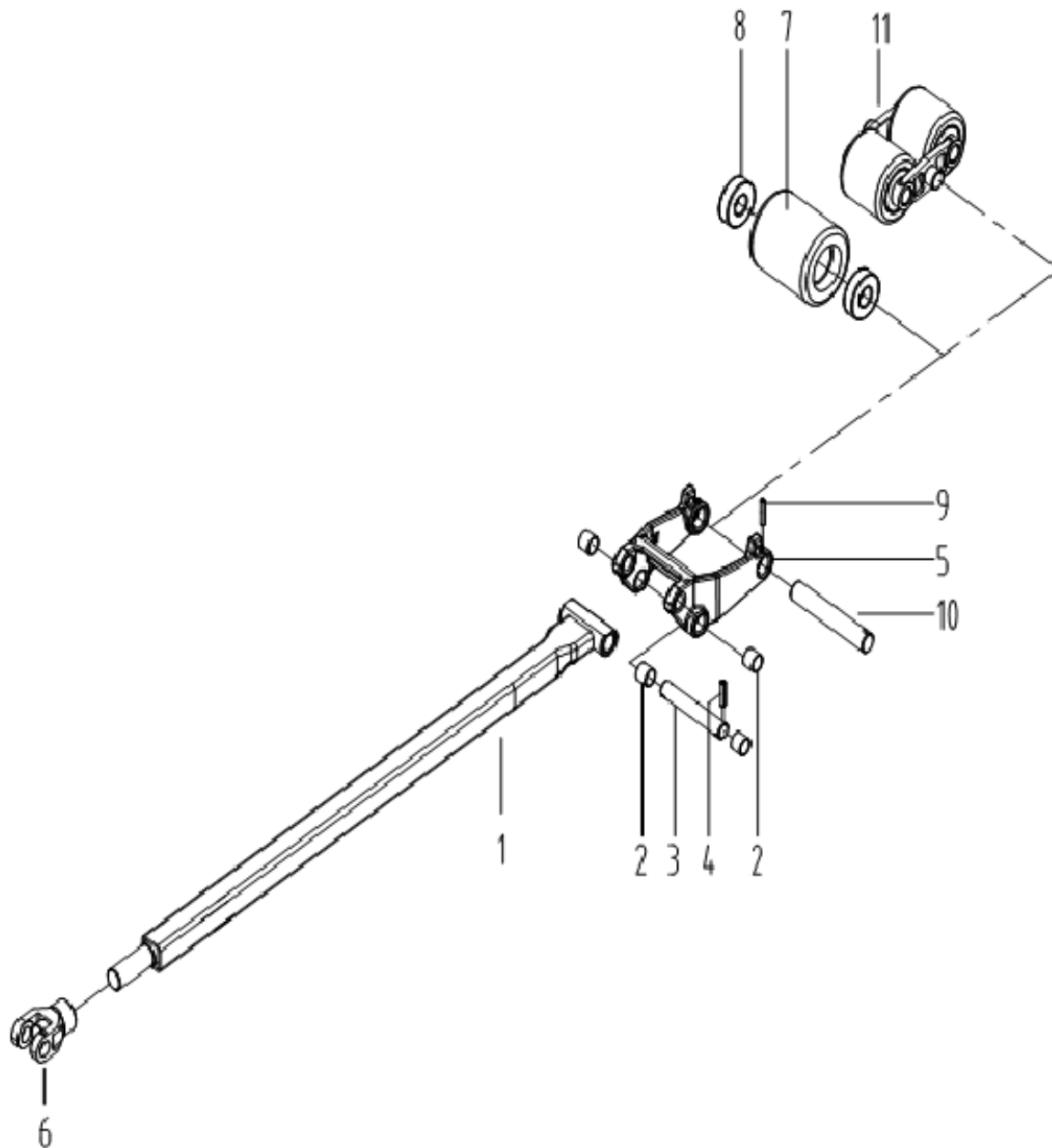
WESCO MANUFACTURING
ENGINEERING DEPARTMENT

REV. ECH & DATE REVISIONS APP.	WESCO INDUSTRIAL PRODUCTS, LLC NORTH WALES PENNA. 19454		DRAWING: RWS 08-26-20
	PART NAME ADVANTAGE POWER (27 X 48)		CHECKED:
	TOLERANCE UNLESS OTHERWISE SPECIFIED		APP. ENGR.
	FRACTION ± 1/64	3 PLACE DECIMAL ± .005	2 PLACE DECIMAL ± .01
ANGULAR ± 1-1/2°		SHEET 7 OF 9	REV A
BREAK ALL SHARP EDGES AND REMOVE ALL BURRS			

274700

CONNECTING ROD AND WHEEL CARRIAGE ASS'Y

REPLACEMENT PARTS LIST			
ITEM	PART NO.	DESCRIPTION	QTY.
1	XXXXXX	CONNECTING ROD ASSEMBLY	1
2		BEARING SF-1-16.15	4
3		PIN	1
4		PIN 5X28	2
5		WHEEL CARRIAGE	1
6		CONNECTOR	1
7		WHEEL	1
8		BEARING 6204-2RS	2
9		PIN 5X32	1
10		PIN	1
SEE PAGE 9	11	LOAD WHEEL ASSEMBLY	1



THIS DRAWING IN ALL PARTICULARS IS WESCO INDUSTRIAL PRODUCTS, LLC PROPERTY. ALL RIGHTS OF DESIGN, INVENTION OR USE OF ARE RESERVED.

PRINT ISSUED

AUG. 26, 2020

WESCO MANUFACTURING
ENGINEERING DEPARTMENT

WESCO INDUSTRIAL PRODUCTS, LLC
NORTH WALES PENNA. 19454

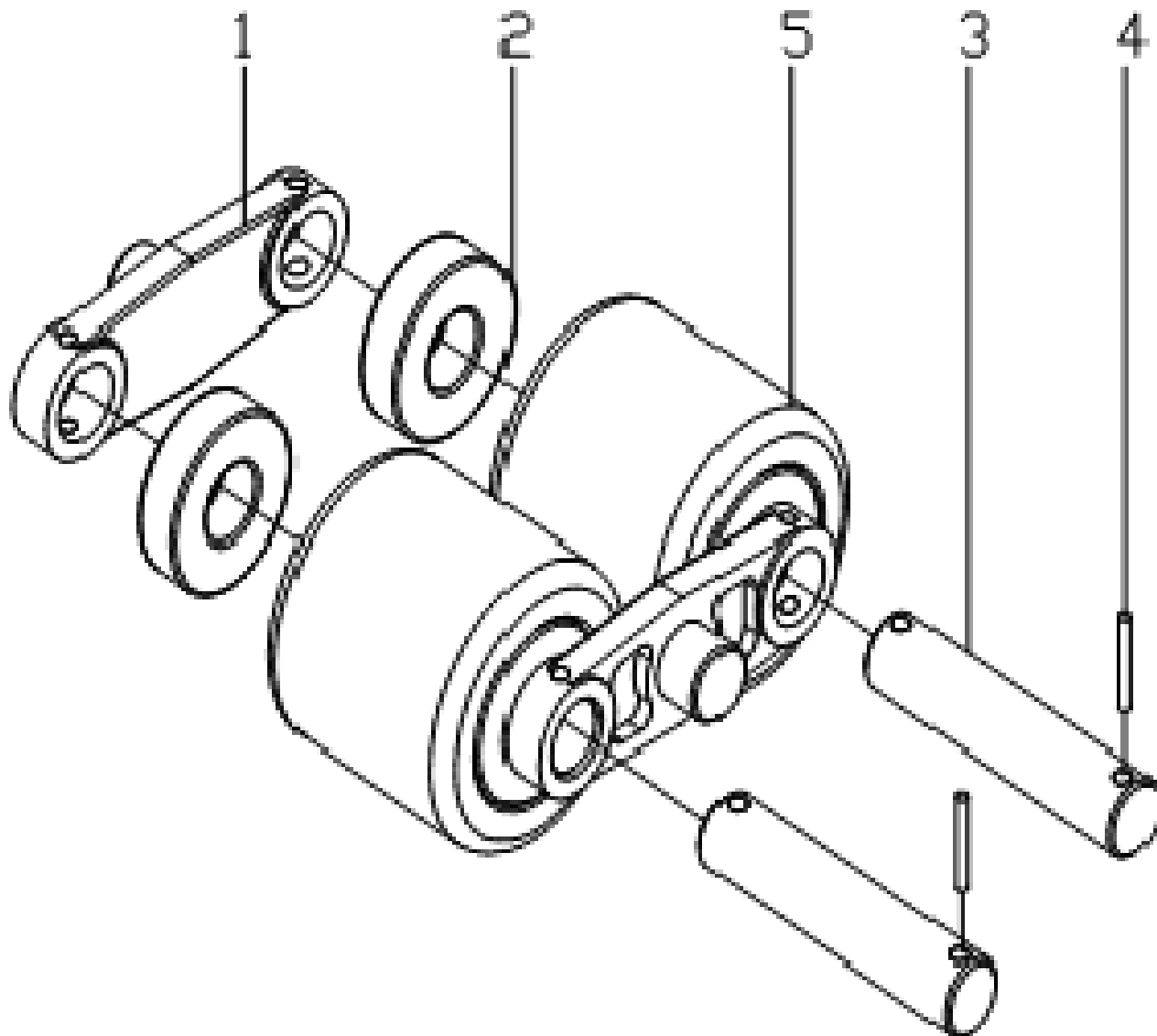
PART NAME		DRAWING	
ADVANTAGE POWER (27 X 48)		RWS 08-26-20	
TOLERANCE UNLESS OTHERWISE SPECIFIED		CHECKED:	
FRACTION 3 PLACE DECIMAL 2 PLACE DECIMAL		APP. ENGR.	
± 1/64	± .005	± .01	SCALE:
ANGULAR ± 1-1/2°	SHEET 8 OF 9	274700	REV A
BREAK ALL SHARP EDGES AND REMOVE ALL BURRS			

REV. ECH & DATE REVISIONS APP.

274700

LOAD WHEEL ASSEMBLY

REPLACEMENT PARTS LIST			
ITEM	PART NO.	DESCRIPTION	QTY.
1	XXXXXX	SUPPORT PLATE	2
2		BEARING 6204-Z	4
3		PIN	2
4		PIN 5X32	4
5		WHEEL	2



THIS DRAWING IN ALL PARTICULARS IS WESCO INDUSTRIAL PRODUCTS, LLC PROPERTY. ALL RIGHTS OF DESIGN, INVENTION OR USE OF ARE RESERVED.

PRINT ISSUED

AUG. 26, 2020

WESCO MANUFACTURING
ENGINEERING DEPARTMENT

WESCO INDUSTRIAL PRODUCTS, LLC NORTH WALES PENNA. 19454	
PART NAME ADVANTAGE POWER (27 X 48)	DRAWN: RWS 08-26-20 CHECKED: APP. ENGR.
TOLERANCE UNLESS OTHERWISE SPECIFIED	
FRACTION 3 PLACE DECIMAL 2 PLACE DECIMAL ± 1/64 ± .005 ± .01	SCALE: 274700
ANGULAR ± 1-1/2° SHEET 9 OF 9 BREAK ALL SHARP EDGES AND REMOVE ALL BURRS	REV A

REV. ECH & DATE REVISIONS APP.