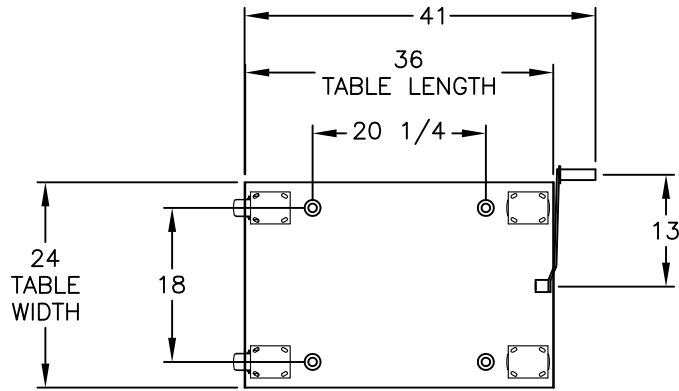


274680

SEE PART BREAKDOWN ON PAGE 2

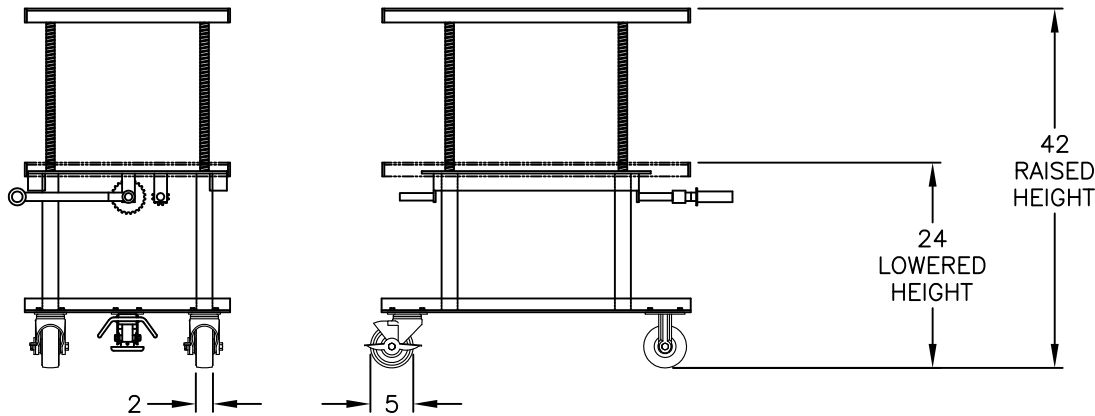


Hand Crank Lift Table

- Designed for use in a variety of environments.
- Equipped with a steel platform, adjusting knob, base frame, 5" polyurethane or cast iron casters, and all mounting hardware

Specs

Model: HCLT-2436-CI
 Load Capacity: 2200 lbs
 Casters: 5", Cast Iron
 Platform Size: 24"x36"
 Weight: 321 lbs
 Raised Height: 42"



THIS DRAWING IN ALL PARTICULARS IS WESCO INDUSTRIAL PRODUCTS, LLC PROPERTY. ALL RIGHTS OF DESIGN, INVENTION OR USE OF ARE RESERVED.

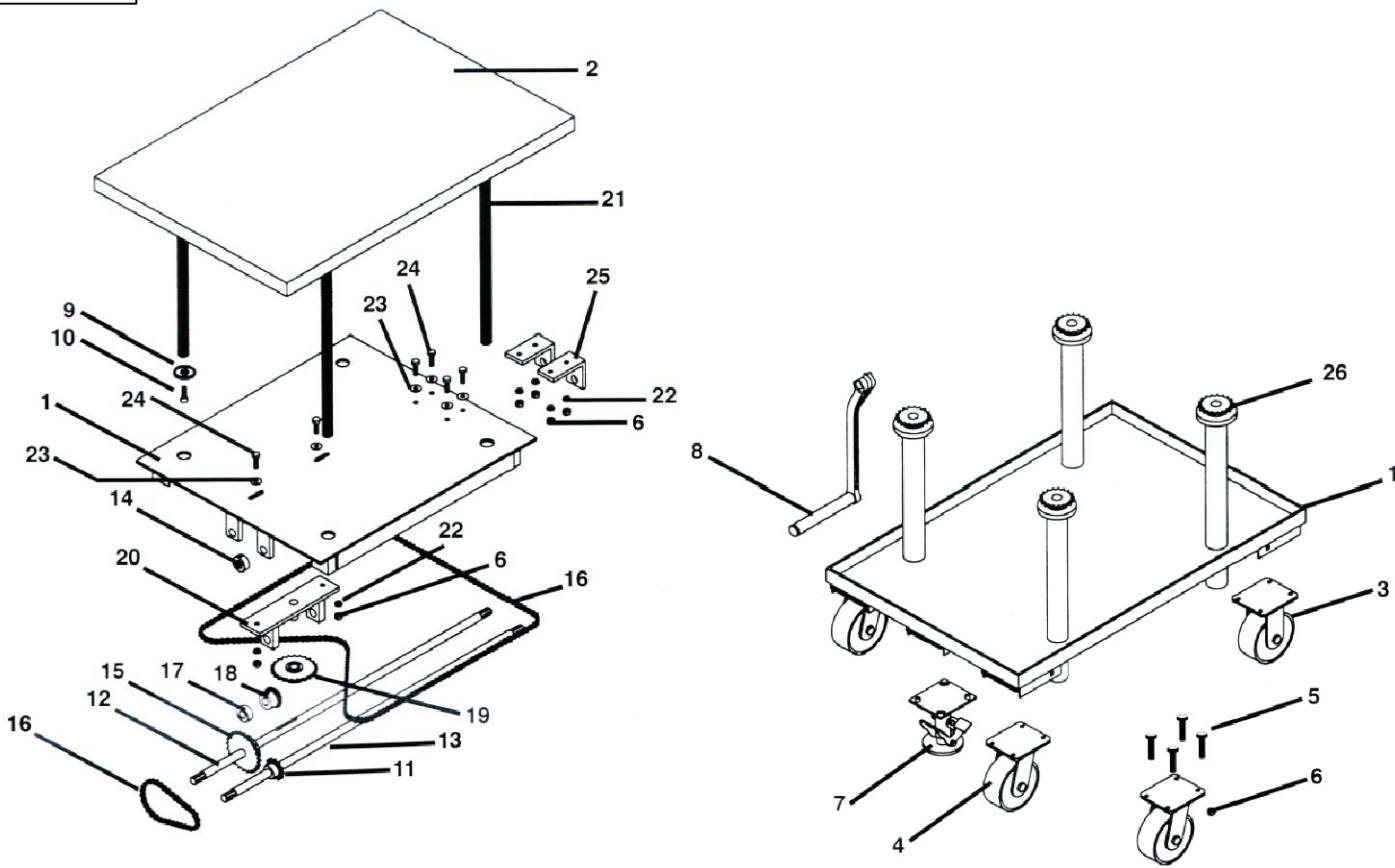
PRINT ISSUED

DEC-04-2019

WESCO MANUFACTURING
ENGINEERING DEPARTMENT

APP	WESCO INDUSTRIAL PRODUCTS, LLC		NORTH WALES		PENNA. 19454	
	PART NAME			DRAWN:		
ECN & DATE	Hand Crank Lift Table			CHECKED:		
	24 X 36, Cast Iron Casters			APP. ENGR.		
REV. REVISIONS	TOLERANCE UNLESS OTHERWISE SPECIFIED					
	FRACTION		3 PLACE DECIMAL		2 PLACE DECIMAL	
	± 1/64		± .005		± .01	
	ANGULAR ± 1-1/2°		SHEET 1 OF 2		SCALE:	
BREAK ALL SHARP EDGES AND REMOVE ALL BURRS						A-274680 REV A

274680



REPLACEMENT PARTS LIST

ITEM	PART NO.	DESCRIPTION	QTY.
1		BASE FRAME WELDMENT	1
2		PLATFORM FRAME WELDMENT	1
3	274692	5" RIGID CASTER (CAST IRON)	2
4	274690	5" SWIVEL CASTER (CAST IRON)	2
5		BOLT M8x35	16
6		SELF-LOCK NUT M8	20
7		FOOT LOCK	1
8		CRANK HANDLE	1
9		WASHER	4
10		BOLT M6x8	4
11		SPROCKET (12 TEETH)	1
12		SHAFT, HIGH SPEED	1
13		SHAFT, SLOW SPEED	1
14		SHAFT COLLAR, SPLIT SHAFT	1
15		SPROCKET (24 TEETH)	1
16		CHAIN 08B	1
17		SPACER, HIGH SPEED SHAFT	1
18		GEAR BEVEL	1
19		GEAR ASSEMBLY, BEVEL AND SPROCKET	1
20		BRACKET, SUB-ASSEMBLY TENSION AD	1
21		LIFTING SCREW	4
22		SPRING WASHER 10	4
23		FLAT WASHER 10	4
24		BOLT M10x30	4
25		BEARING BRACKET	2
26		SPROCKET LIFTING	4

THIS DRAWING IN ALL PARTICULARS IS WESCO INDUSTRIAL PRODUCTS, LLC PROPERTY. ALL RIGHTS OF DESIGN, INVENTION OR USE OF ARE RESERVED.

PRINT ISSUED

DEC-04-2019

WESCO MANUFACTURING
ENGINEERING DEPARTMENT

APP
ECN & DATE
REV.

REVISIONS

WESCO INDUSTRIAL PRODUCTS, LLC
NORTH WALES PENNA. 19454

PART NAME
Hand Crank Lift Table
24 X 36, Cast Iron Casters

DRAWN:
CHECKED:
APP. ENGR.
SCALE:

TOLERANCE UNLESS OTHERWISE SPECIFIED
FRACTION 3 PLACE DECIMAL 2 PLACE DECIMAL
± 1/64 ± .005 ± .01
ANGULAR ± 1-1/2" SHEET 2 OF 2
BREAK ALL SHARP EDGES AND REMOVE ALL BURRS

A-274680 REV A