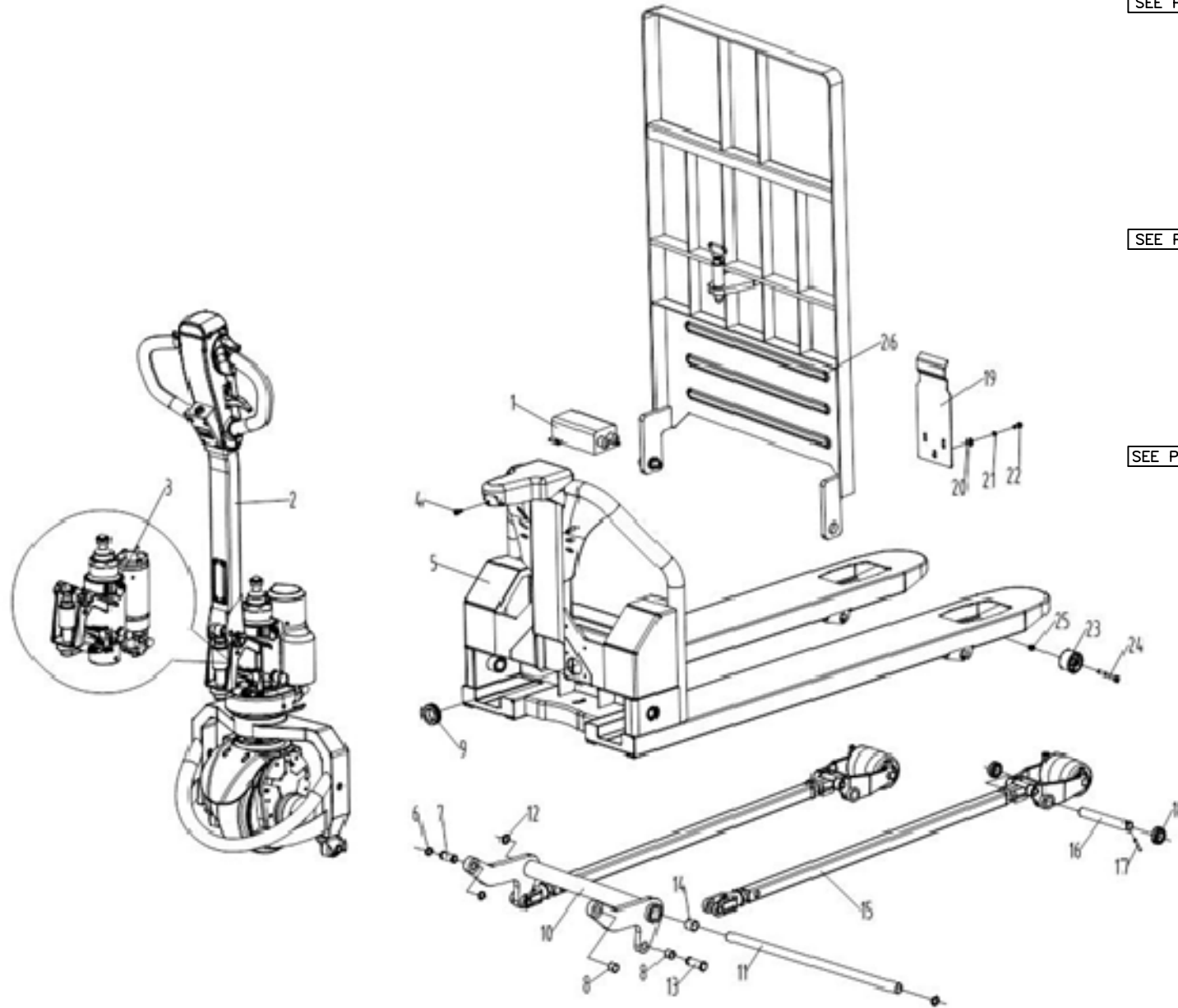


273923

GENERAL ASSEMBLY



REPLACEMENT PARTS LIST				
	ITEM	PART NO.	DESCRIPTION	QTY.
SEE PAGE 2	1	XXXXXX	ELECTRICAL SYSTEM	1
SEE PAGE 4	2		STEERING GEAR ASSEMBLY	1
SEE PAGE 6	3		HYDRAULIC SYSTEM	1
	4		SCREW M6X12	1
	5		TRUCK FRAME ASSEMBLY	1
	6		CIRCLIP FOR SHAFT 16	6
	7		PIN	2
	8		BEARING SF-1-16.15	4
	9		RUBBER COIL	1
	10		ROCKER ARM ASSEMBLY	1
	11		SHAFT	1
	12		CIRCLIP FOR HOLE 20	2
	13		SHFAT	2
	14		BEARING SF-1-20.20	2
SEE PAGE 9	15		CONNECTING ROD & WHEEL CARRIAGE ASSY	2
	16		PIN	2
	17		PIN 5X32	2
	18		REVERSE-ASSISTED WHEEL	4
	19		BATTERY PLATE	1
	20		WASHER 6	3
	21		WASHER 6	4
	22		SCREW M6X16	2
	23		SMALL WHEEL	2
	24		SCREW M6X55	2
	25		LOCKNUT M6	2
SEE PAGE 11	26		BACKREST ASSEMBLY	1

THIS DRAWING IN ALL PARTICULARS IS WESCO INDUSTRIAL PRODUCTS, LLC PROPERTY. ALL RIGHTS OF DESIGN, INVENTION OR USE OF ARE RESERVED.

PRINT ISSUED

AUG. 26, 2020

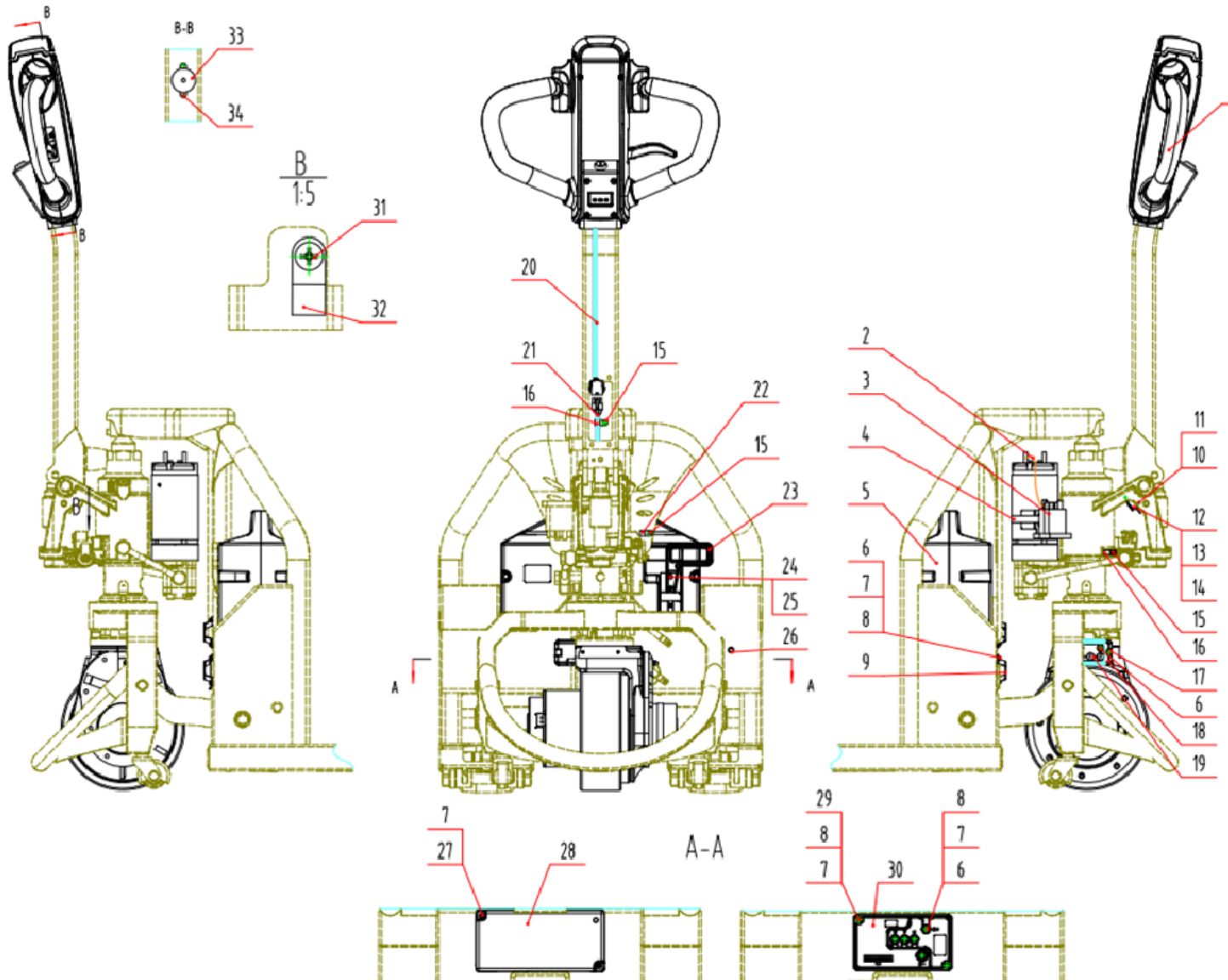
WESCO MANUFACTURING
ENGINEERING DEPARTMENT

REV. ECH & DATE REVISIONS	WESCO INDUSTRIAL PRODUCTS, LLC NORTH WALES PENNA. 19454		DRAWING: RWS 08-26-20
	PART NAME ADVANTAGE PRO POWER 27" X 48" (3300 LB CAP.)		CHECKED:
	TOLERANCE UNLESS OTHERWISE SPECIFIED		APP. ENGR.
	FRACTION 3 PLACE DECIMAL 2 PLACE DECIMAL ± 1/64 ± .005 ± .01	SCALE:	
	ANGULAR ± 1-1/2° SHEET 1 OF 11 BREAK ALL SHARP EDGES AND REMOVE ALL BURRS		273923 REV A

ELECTRICAL SYSTEM

SEE PAGE 3

REPLACEMENT PARTS LIST			
ITEM	PART NO.	DESCRIPTION	QTY.
1	XXXXXX	HANDLE ASSEMBLY	1
2		P+ CONNECTING WIRE	1
3		LIFTING CONTACTOR	1
4		HOOP (DIA. 70-89, WIDTH 12)	1
5		LITHIUM-BATTERY PACK ASSEMBLY	1
6		SCREW M4X12	7
7		WASHER 4	13
8		WASHER 4	11
9		LINE BUCKLE	2
10		SCREW M3X25	2
11		WASHER 3	2
12		PLASTIC PLATE	1
13		MICROSWITCH TMV164-C	1
14		MICROSWITCH PLATE	1
15		SCREW M4X8	3
16		FIXED BUCKLE ACC-2-B	2
17		SCREW M4X35	2
18		LINE BOX	1
19		WIRING BOARD	1
20		HANDLE WIRING HARNESS	1
21		TRUCK BODY WIRING HARNESS	1
22		FIXED BUCKLE ACC-3-B	1
23		PULLER	1
24		SCREW M4X25	2
25		LOCKNUT M4	2
26		DIODE BASE (5MM)	1
27		SCREW M4X40	2
28		CONTROLLER COVER	1
29		BRUSHLESS CONTROLLER	2
30		TERMINAL	1
31		LOCKNUT M5	1
32		SCREW M5X12	1
33		BUZZER ACCESSORY	1
34		SCREW M3X12	2



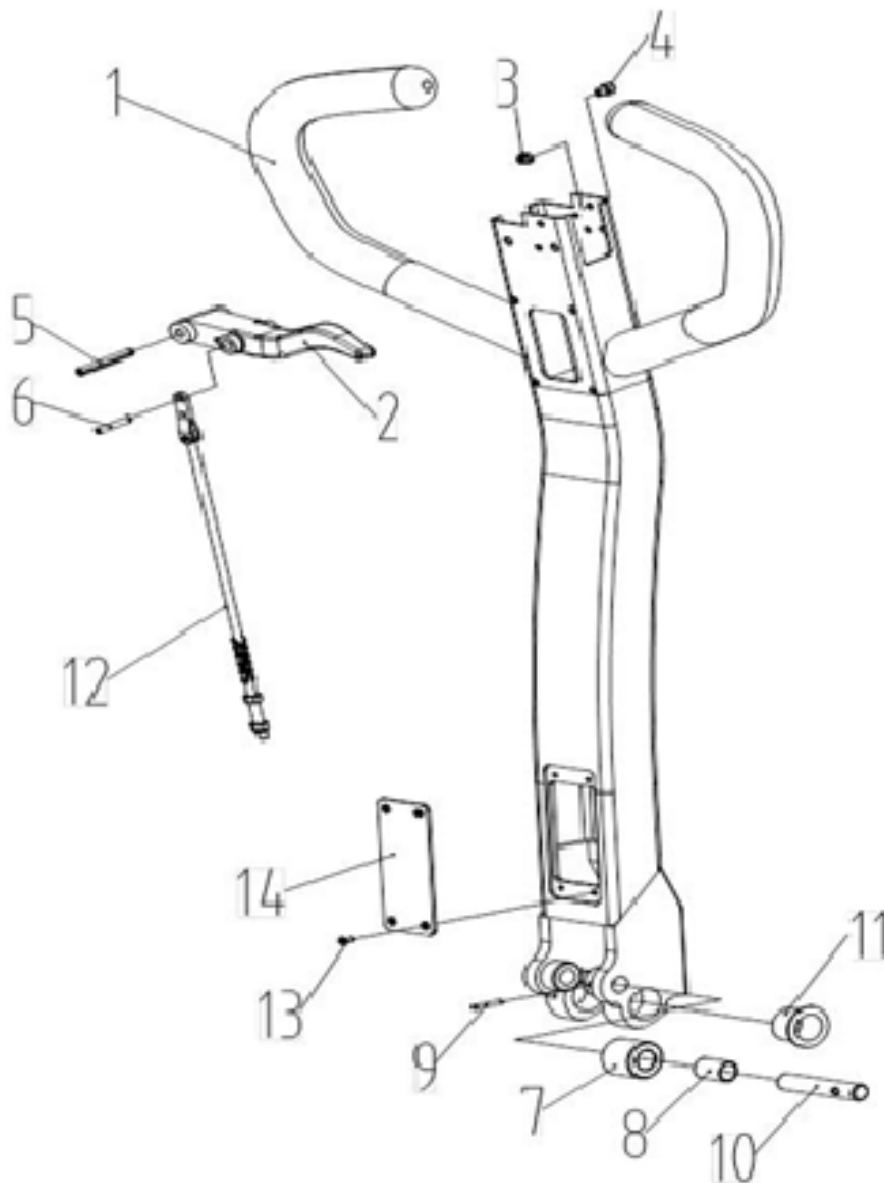
THIS DRAWING IN ALL PARTICULARS IS WESCO INDUSTRIAL PRODUCTS, LLC PROPERTY. ALL RIGHTS OF DESIGN, INVENTION OR USE OF ARE RESERVED.

PRINT ISSUED
 AUG. 26, 2020
 WESCO MANUFACTURING
 ENGINEERING DEPARTMENT

REV. ECH & DATE	WESCO INDUSTRIAL PRODUCTS, LLC		NORTH WALES		PENNA. 19454		
	PART NAME		ADVANTAGE PRO POWER		DRAWING: RWS 08-26-20		
			27" X 48" (3300 LB CAP.)		CHECKED:		
					APP. ENGR.		
					SCALE:		
		TOLERANCE UNLESS OTHERWISE SPECIFIED					
		FRACTION		3 PLACE DECIMAL		2 PLACE DECIMAL	
		± 1/64		± .005		± .01	
		ANGULAR ± 1-1/2°		SHEET 2 OF 11		273923	
		BREAK ALL SHARP EDGES AND REMOVE ALL BURRS				REV A	

273923

HANDLE ASSEMBLY



REPLACEMENT PARTS LIST			
ITEM	PART NO.	DESCRIPTION	QTY.
1	XXXXXX	HANDLE BAR	1
2		KNOB	1
3		LOCKNUT M4	1
4		SCREW M4X8	1
5		PIN 6X40	1
6		PIN 4X25	1
7		PINCH ROLLER	1
8		BEARING SF-1-12.20	1
9		PIN 4X20	1
10		PIN	1
11		BEARING SF-1F-200.165	2
12		PULL ROD ASSEMBLY	1
13		SCREW M4X8	4
14		PLASTIC COVER	1

THIS DRAWING IN ALL PARTICULARS IS WESCO INDUSTRIAL PRODUCTS, LLC PROPERTY. ALL RIGHTS OF DESIGN, INVENTION OR USE OF ARE RESERVED.

PRINT ISSUED

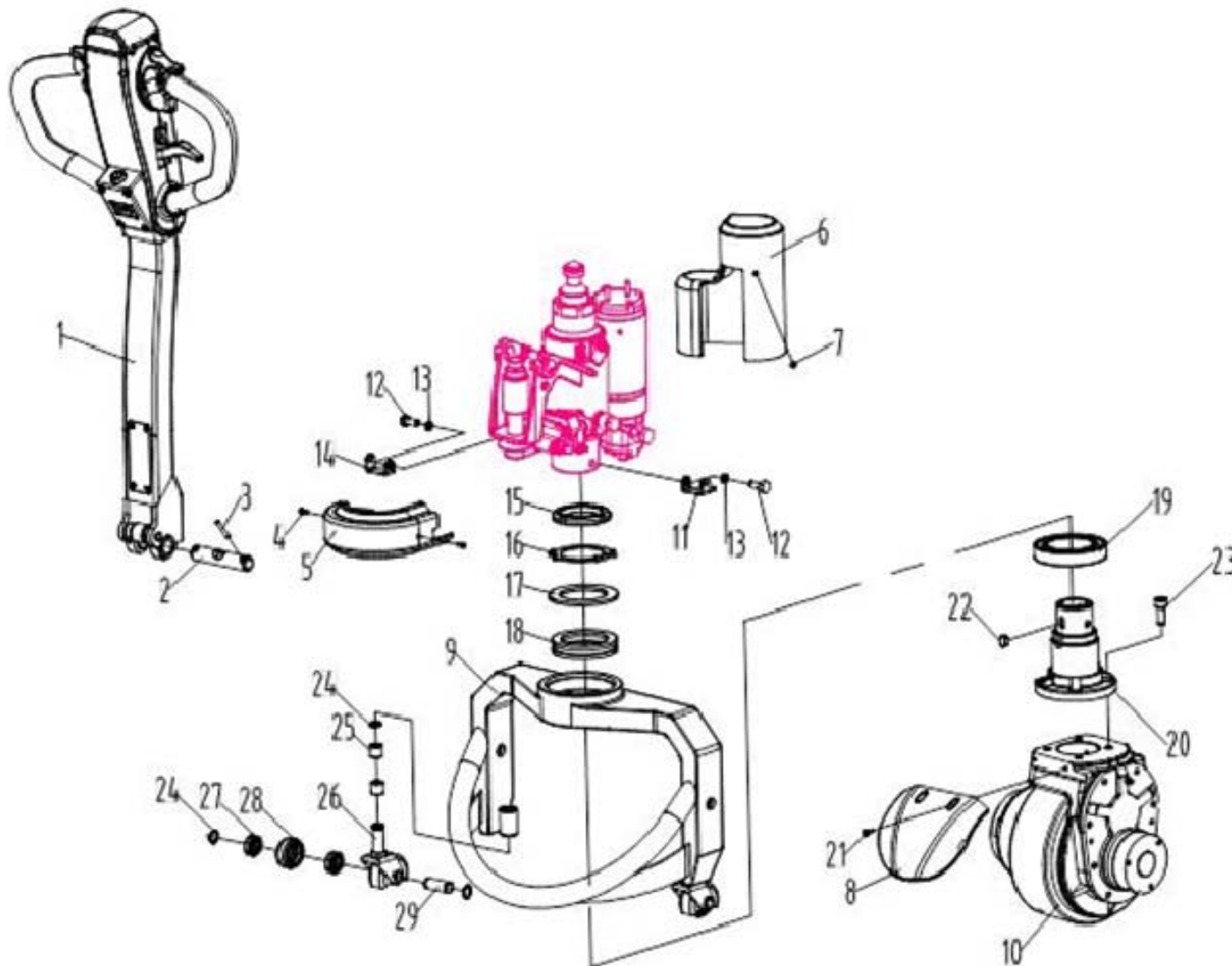
AUG. 26, 2020

WESCO MANUFACTURING
ENGINEERING DEPARTMENT

REV. ECH & DATE	REVISIONS		APP.	
	WESCO INDUSTRIAL PRODUCTS, LLC NORTH WALES PENNA. 19454			
	PART NAME		DRAWING	
	ADVANTAGE PRO POWER 27" X 48" (3300 LB CAP.)		RWS 08-26-20	
TOLERANCE UNLESS OTHERWISE SPECIFIED				APP. ENGR.
FRACTION		3 PLACE DECIMAL	2 PLACE DECIMAL	SCALE:
± 1/64		± .005	± .01	
ANGULAR ± 1-1/2°		SHEET 3 OF 11		273923
BREAK ALL SHARP EDGES AND REMOVE ALL BURRS				REV A

273923

STEERING GEAR ASSEMBLY



REPLACEMENT PARTS LIST				
ITEM	PART NO.	DESCRIPTION	QTY.	
SEE PAGE 5	1	XXXXXX	STEERING ARM ASSEMBLY	1
	2		PIN	1
	3		PIN 5X32	2
	4		SCREW M4X10	2
	5		DECORATIVE COVER	1
	6		MOTOR HOUSING	1
	7		SCREW M5X10	2
	8		MUD GUARD	1
	9		SUPPORT SEAT ASSEMBLY	1
	10		DRIVING WHEEL ASSEMBLY	1
	11		RIGHT SUPPORT	1
	12		SCREW M8X20	2
	13		WASHER 8	10
	14		LEFT SUPPORT	1
	15		ROUND NUT M60X2	1
	16		WASHER 60	1
	17		DUST RING	1
	18		BEARING 51113	1
	19		BEARING 6013-2RS	1
	20		BASE	1
	21		SCREW M4X10	2
	22		FLAT KEY 8X7X14	1
	23		SCREW M10X20	4
	24		WASHER A type 15	6
	25		BEARING SF-1-15.15	4
	26		UNIVERSAL WHEEL CARRIAGE	2
	27		BEARING 6902-2RS	4
	28		WHEEL	2
	29		SHAFT	2

THIS DRAWING IN ALL PARTICULARS IS WESCO INDUSTRIAL PRODUCTS, LLC PROPERTY. ALL RIGHTS OF DESIGN, INVENTION OR USE OF ARE RESERVED.

PRINT ISSUED

AUG. 26, 2020

WESCO MANUFACTURING
ENGINEERING DEPARTMENT

WESCO INDUSTRIAL PRODUCTS, LLC
NORTH WALES PENNA. 19454

PART NAME
ADVANTAGE PRO POWER
27" X 48" (3300 LB CAP.)

DRAWN: RWS 08-26-20

CHECKED:

APP. ENGR.

TOLERANCE UNLESS OTHERWISE SPECIFIED
FRACTION 3 PLACE DECIMAL 2 PLACE DECIMAL

± 1/64 ± .005 ± .01
ANGULAR ± 1-1/2° SHEET 4 OF 11

BREAK ALL SHARP EDGES AND REMOVE ALL BURRS

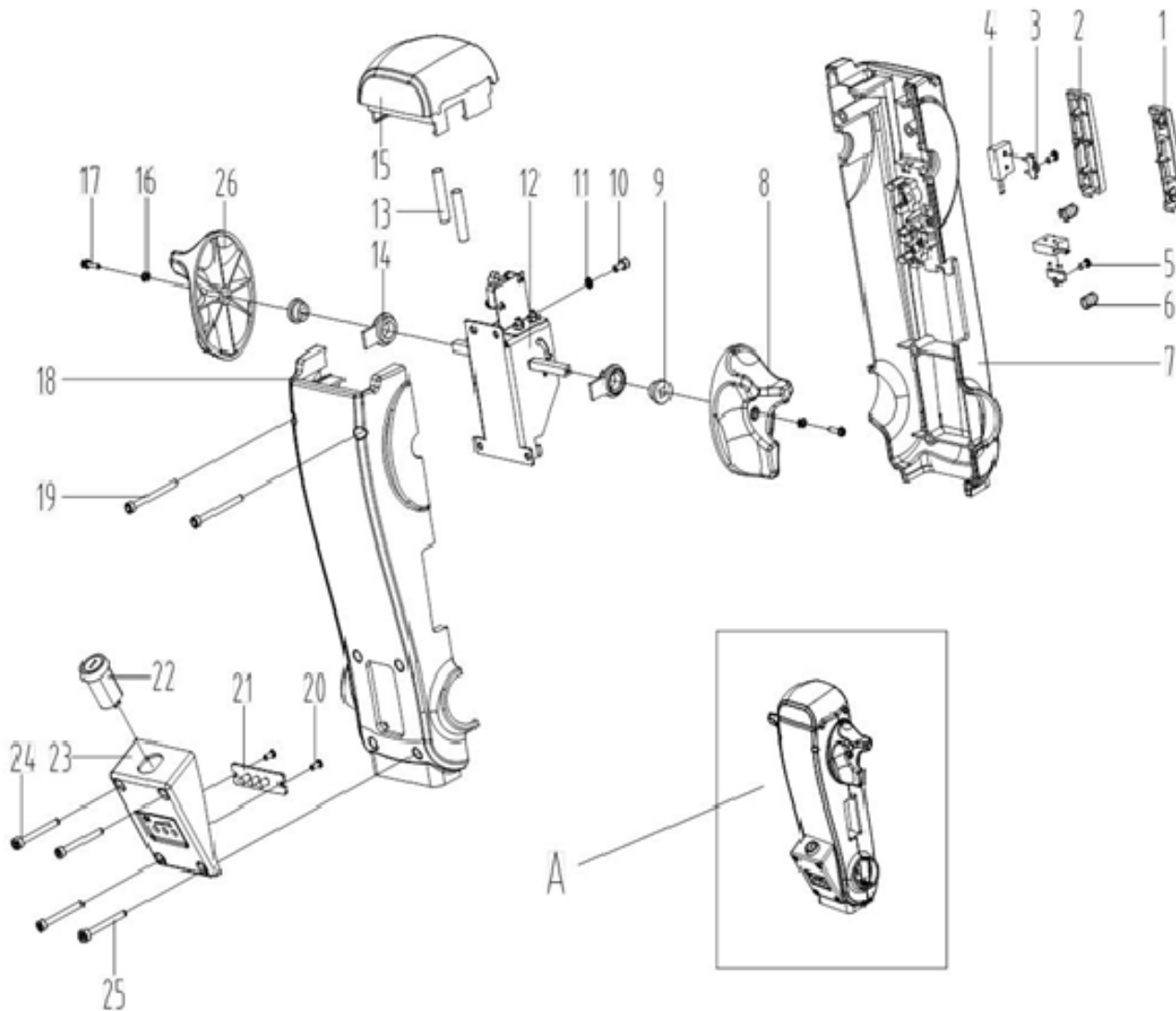
SCALE:

273923

REV A

273923

STEERING ARM ASSEMBLY



REPLACEMENT PARTS LIST			
ITEM	PART NO.	DESCRIPTION	QTY.
1	XXXXXX	HORN BUTTON	1
2		LIFT BUTTON	1
3		MICRO SWITCH INSERT	2
4		MICRO SWITCH 2	2
5		PAN HD TAPPING SCREW ST2.9X6.5	2
6		BUTTON SPRING	2
7		UPPER COVER	1
8		RIGHT DISH KNOB	1
9		SQUARE HOLE BUSHING	2
10		HEX HD SOCKET SCREW M4X8	2
11		STANDARD SPRING WASHER 4	2
12		ACCELERATOR ACC-12	1
13		BRAKE SPRING	2
14		SUPPORT SLEEVE	2
15		BRAKE SWITCH	1
16		EXTERNAL TOOTH LOCK WASHER 3	2
17		PAN HD SCREW M3X12	2
18		LOWER LID	1
19		HEX HD SCREW M4X40 (BLACK)	2
20		PAN HD TAPPING SCREW ST2.9X9.5	2
21		METER	1
22		KEY ACCESSORIES	1
23		ELECTRIC LOCK COVER	1
24		HEX HD SCREW M4X65 (BLACK)	2
25		HEX HD SCREW M4X55 (BLACK)	2
26		LEFT DISH KNOB	1

THIS DRAWING IN ALL PARTICULARS IS WESCO INDUSTRIAL PRODUCTS, LLC PROPERTY. ALL RIGHTS OF DESIGN, INVENTION OR USE OF ARE RESERVED.

PRINT ISSUED

AUG. 26, 2020

WESCO MANUFACTURING
ENGINEERING DEPARTMENT

REV. ECH & DATE
REVISIONS
APP.

WESCO INDUSTRIAL PRODUCTS, LLC
NORTH WALES PENNA. 19454

PART NAME
ADVANTAGE PRO POWER
27" X 48" (3300 LB CAP.)

DRAWING: RWS 08-26-20

CHECKED:

APP. ENGR.

TOLERANCE UNLESS OTHERWISE SPECIFIED

FRACTION 3 PLACE DECIMAL 2 PLACE DECIMAL

± 1/64 ± .005 ± .01

ANGULAR ± 1-1/2° SHEET 5 OF 11

BREAK ALL SHARP EDGES AND REMOVE ALL BURRS

SCALE:

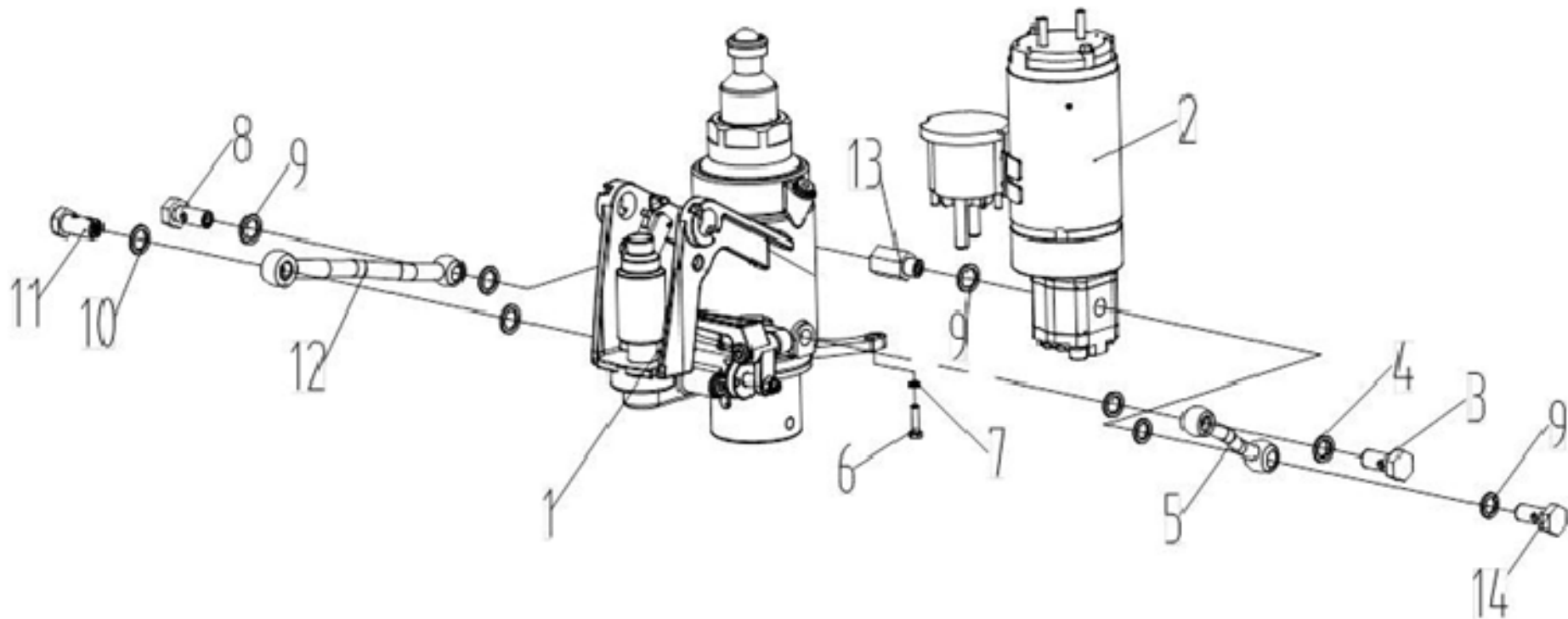
273923

REV A

273923

HYDRAULIC SYSTEM

REPLACEMENT PARTS LIST				
	ITEM	PART NO.	DESCRIPTION	QTY.
SEE PAGE 7	1	XXXXXX	OIL CYLINDER ASSEMBLY	1
SEE PAGE 8	2		MOTOR PUMP	1
	3		JOINT	1
	4		WASHER 12	2
	5		OIL INLET RIGID PIPE	1
	6		SCREW M6X20	2
	7		WASHER 6	2
	8		JOINT	1
	9		WASHER G1/4	5
	10		WASHER 14	2
	11		JOINT	1
	12		OIL OUTLET RIGID PIPE	1
	13		JOINT	1
	14		JOINT	1



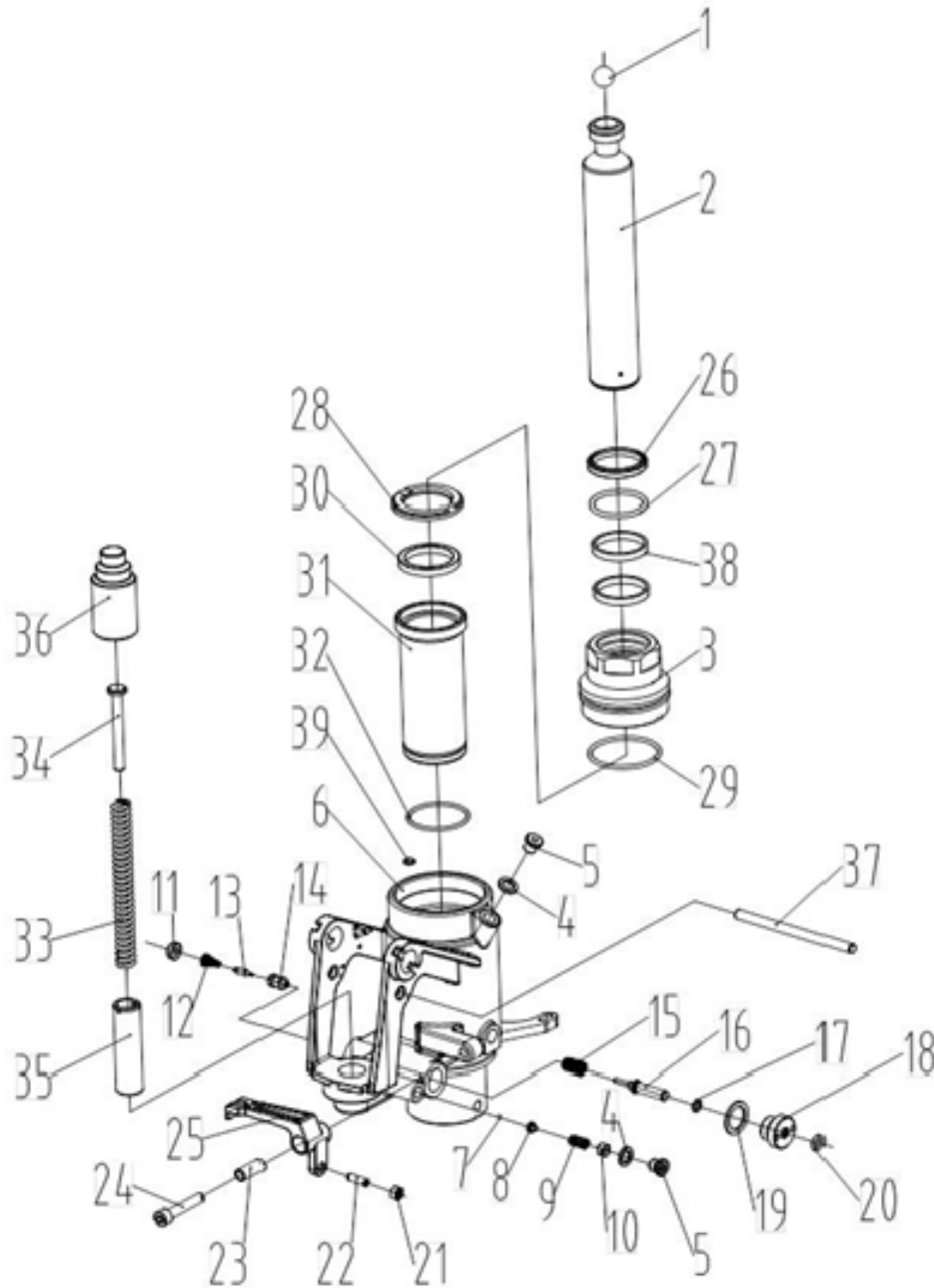
THIS DRAWING IN ALL PARTICULARS IS WESCO INDUSTRIAL PRODUCTS, LLC PROPERTY. ALL RIGHTS OF DESIGN, INVENTION OR USE OF ARE RESERVED.

PRINT ISSUED
 AUG. 26, 2020
 WESCO MANUFACTURING
 ENGINEERING DEPARTMENT

REV.	ECH & DATE	REVISIONS	APP.	
			WESCO INDUSTRIAL PRODUCTS, LLC	
			NORTH WALES PENNA. 19454	
			DRAWING: RWS 08-26-20	
PART NAME			ADVANTAGE PRO POWER	
			27" X 48" (3300 LB CAP.)	
TOLERANCE UNLESS OTHERWISE SPECIFIED			APP. ENGR.	
FRACTION 3 PLACE DECIMAL 2 PLACE DECIMAL			SCALE:	
± 1/64 ± .005 ± .01			273923	
ANGULAR ± 1-1/2°			SHEET 6 OF 11	
BREAK ALL SHARP EDGES AND REMOVE ALL BURRS			REV A	

273923

OIL CYLINDER ASSEMBLY



REPLACEMENT PARTS LIST			
ITEM	PART NO.	DESCRIPTION	QTY.
1	XXXXXX	STEEL BALL 3/4	1
2		PISTON ROD	1
3		HOOD	1
4		WASHER 10	2
5		PLUG	2
6		BOTTOM SEAT	1
7		STEEL BALL 5	1
8		SEAT	1
9		SPRING	1
10		SCREW M10X1	1
11		SCREW	1
12		SPRING	1
13		VALVE CORE	1
14		VALVE BODY	1
15		SPRING	1
16		STRIKER PIN	1
17		O-RING 6.9X1.8	1
18		STRIKER PIN SEAT	1
19		WASHER 20	2
20		O-RING 8X2.65	1
21		NUT M6	1
22		SCREW M6X25	1
23		SHAFT	1
24		SCREW M8X45	1
25		LEVER PLATE	1
26		DUST RING DHS4048-5/6.5	1
27		O-SEAL RING 40X3.55	1
28		PLATE	1
29		O-SEAL RING 67X3.55	1
30		SEAL RING UHS40-50-6	1
31		INNER CYLINDER	1
32		O-SEAL RING 46.2X2.65	1
33		SPRING	1
34		SPRING CORE	1
35		SPRING SLEEVE	1
36		OUTER SLEEVE	1
37		LOCKING ROD	1
38		GUIDE TAPE BST5806-6-2.5	2
39		MAGNETIC STEEL	1

THIS DRAWING IN ALL PARTICULARS IS WESCO INDUSTRIAL PRODUCTS, LLC PROPERTY. ALL RIGHTS OF DESIGN, INVENTION OR USE OF ARE RESERVED.

PRINT ISSUED

AUG. 26, 2020

WESCO MANUFACTURING
ENGINEERING DEPARTMENT

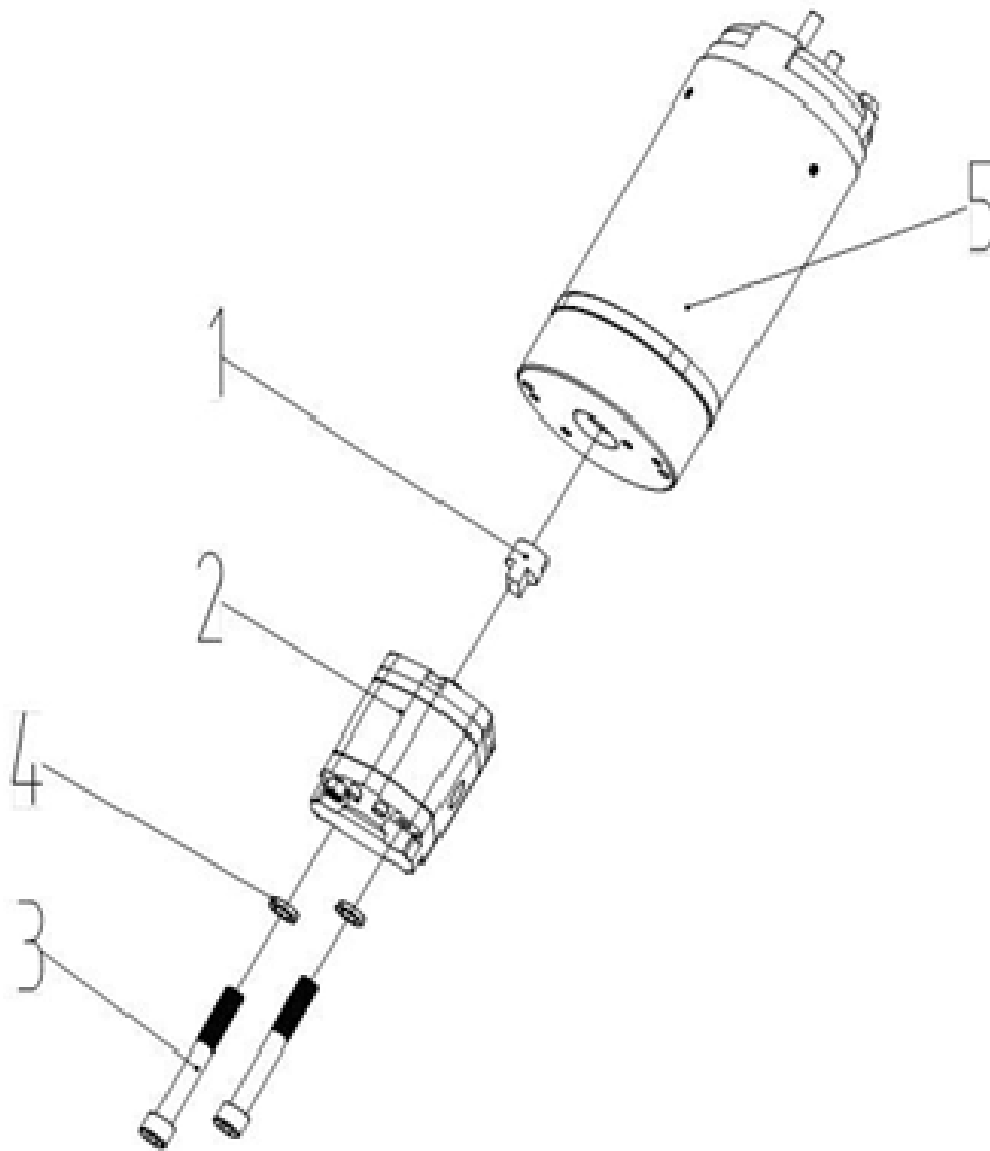
WESCO INDUSTRIAL PRODUCTS, LLC		NORTH WALES		PENNA. 19454	
PART NAME				DRAWING: RWS 08-26-20	
ADVANTAGE PRO POWER				CHECKED:	
27" X 48" (3300 LB CAP.)				APP. ENGR.	
TOLERANCE UNLESS OTHERWISE SPECIFIED					
FRACTION		3 PLACE DECIMAL		2 PLACE DECIMAL	
± 1/64		± .005		± .01	
ANGULAR ± 1-1/2°		SHEET 7 OF 11		SCALE:	
BREAK ALL SHARP EDGES AND REMOVE ALL BURRS				273923	
				REV	A

REV. ECH & DATE REVISIONS APP.

273923

MOTOR PUMP

REPLACEMENT PARTS LIST			
ITEM	PART NO.	DESCRIPTION	QTY.
1	XXXXXX	CONNECTOR	1
2		PUMP	1
3		SCREW M5X70	2
4		WASHER 5	2
5		DC MOTOR	1



THIS DRAWING IN ALL PARTICULARS IS WESCO INDUSTRIAL PRODUCTS, LLC PROPERTY. ALL RIGHTS OF DESIGN, INVENTION OR USE OF ARE RESERVED.

PRINT ISSUED

AUG. 26, 2020

WESCO MANUFACTURING
ENGINEERING DEPARTMENT

WESCO INDUSTRIAL PRODUCTS, LLC
NORTH WALES PENNA. 19454

PART NAME
ADVANTAGE PRO POWER
27" X 48" (3300 LB CAP.)

DRAWN: RWS 08-26-20

CHECKED:

APP. ENGR.

TOLERANCE UNLESS OTHERWISE SPECIFIED

FRACTION	3 PLACE DECIMAL	2 PLACE DECIMAL
± 1/64	± .005	± .01

ANGULAR ± 1-1/2° SHEET 8 OF 11

BREAK ALL SHARP EDGES AND REMOVE ALL BURRS

SCALE:

273923

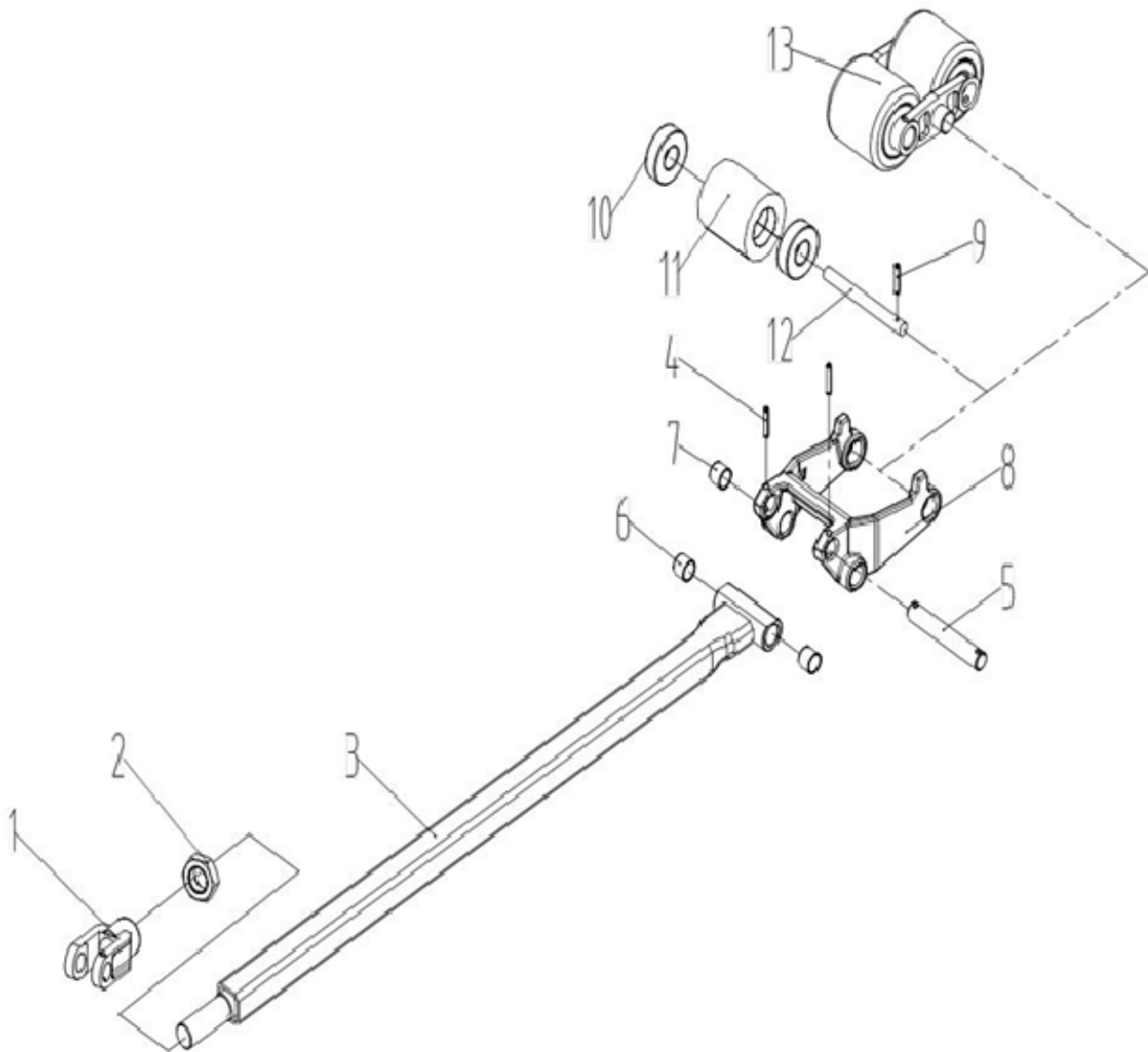
REV A

REV. ECH & DATE REVISIONS APP.

273923

CONNECTING ROD AND WHEEL CARRIAGE ASSEMBLY

REPLACEMENT PARTS LIST			
ITEM	PART NO.	DESCRIPTION	QTY.
1	XXXXXX	JOINT	1
2		NUT M22X1.5	1
3		CONNECTING ROD ASSEMBLY	1
4		PIN 5X28	1
5		PIN	1
6		BEARING SF-1-16.20	1
7		BEARING SF-1-20.25	1
8		WHEEL CARRIAGE	1
9		PIN 5X32	2
10		BEARING 6204-2RS	2
11		WHEEL	1
12		PIN	1
SEE PAGE 10	13	LOAD WHEEL ASSEMBLY	1



THIS DRAWING IN ALL PARTICULARS IS WESCO INDUSTRIAL PRODUCTS, LLC PROPERTY. ALL RIGHTS OF DESIGN, INVENTION OR USE OF ARE RESERVED.

PRINT ISSUED

AUG. 26, 2020

WESCO MANUFACTURING
ENGINEERING DEPARTMENT

WESCO INDUSTRIAL PRODUCTS, LLC
NORTH WALES PENNA. 19454

PART NAME
ADVANTAGE PRO POWER
27" X 48" (3300 LB CAP.)

DRAWN: RWS 08-26-20

CHECKED:

APP. ENGR.

TOLERANCE UNLESS OTHERWISE SPECIFIED
FRACTION 3 PLACE DECIMAL 2 PLACE DECIMAL
± 1/64 ± .005 ± .01
ANGULAR ± 1-1/2° SHEET 9 OF 11
BREAK ALL SHARP EDGES AND REMOVE ALL BURRS

SCALE:
273923

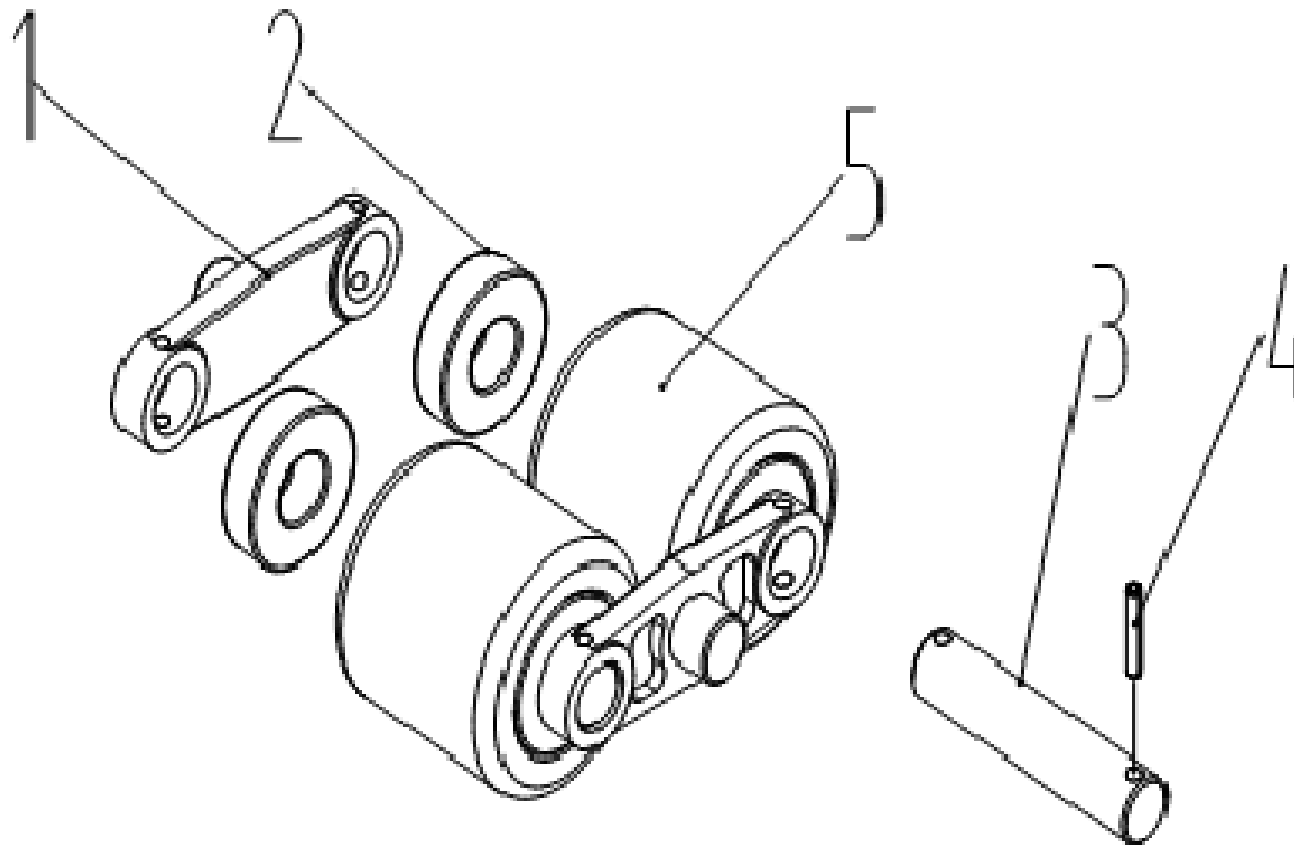
REV A

REV. ECH & DATE REVISIONS APP.

273923

LOAD WHEEL ASSEMBLY

REPLACEMENT PARTS LIST			
ITEM	PART NO.	DESCRIPTION	QTY.
1	XXXXXX	SUPPORT PLATE	2
2		BEARING 6204-Z	4
3		PIN	2
4		PIN 5X32	4
5		WHEEL	2



THIS DRAWING IN ALL PARTICULARS IS WESCO INDUSTRIAL PRODUCTS, LLC PROPERTY. ALL RIGHTS OF DESIGN, INVENTION OR USE OF ARE RESERVED.

PRINT ISSUED

AUG. 26, 2020

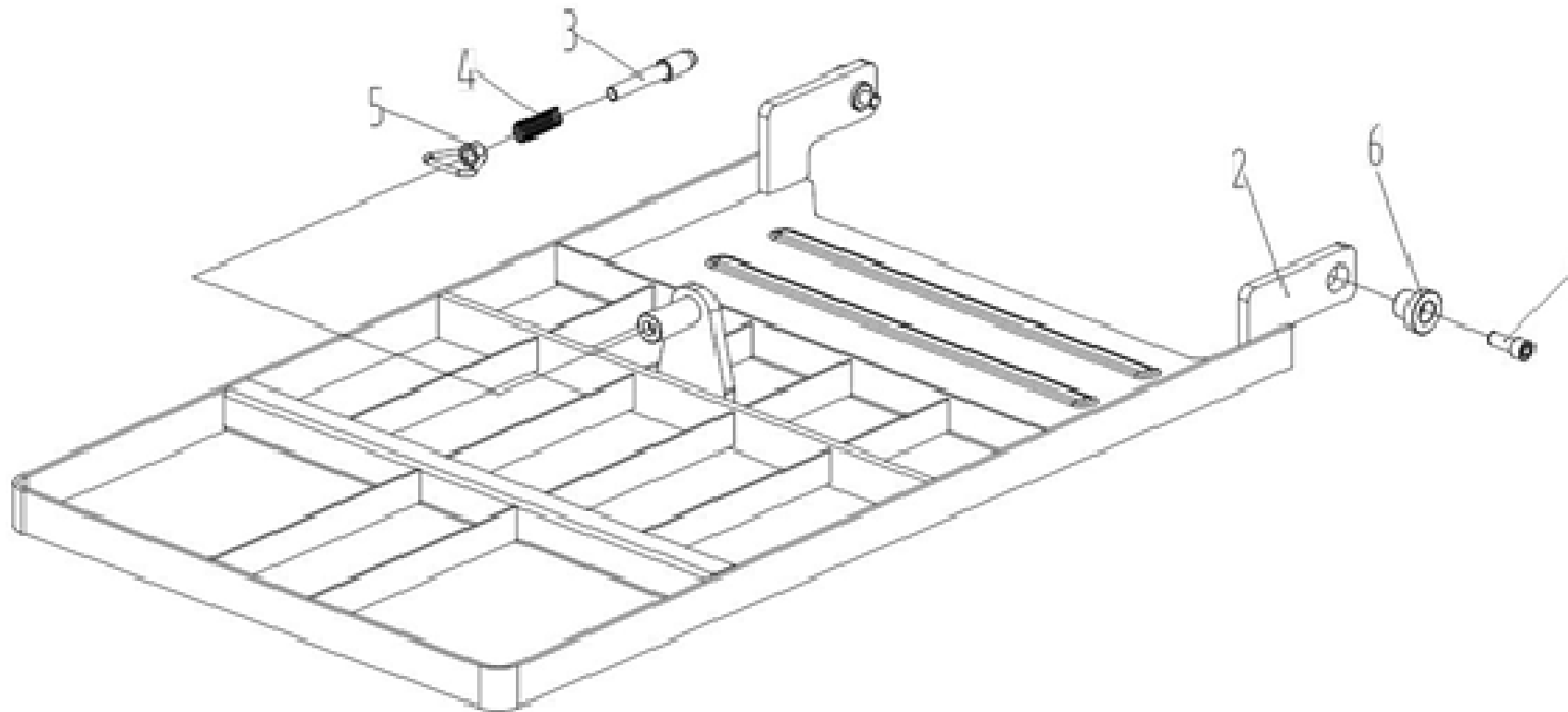
WESCO MANUFACTURING
ENGINEERING DEPARTMENT

REV. ECH & DATE REVISIONS	WESCO INDUSTRIAL PRODUCTS, LLC NORTH WALES PENNA. 19454		DRAWN: RWS 08-26-20
	PART NAME ADVANTAGE PRO POWER 27" X 48" (3300 LB CAP.)		CHECKED:
	TOLERANCE UNLESS OTHERWISE SPECIFIED		APP. ENGR.
	FRACTION ± 1/64	3 PLACE DECIMAL ± .005	2 PLACE DECIMAL ± .01
	ANGULAR ± 1-1/2° SHEET 10 OF 11 BREAK ALL SHARP EDGES AND REMOVE ALL BURRS		REV A

273923

BACKREST ASSEMBLY

REPLACEMENT PARTS LIST			
ITEM	PART NO.	DESCRIPTION	QTY.
1	XXXXXX	SCREW M12X30	2
2		BACKREST WELDMENT	1
3		PIN	1
4		SPRING	1
5		RING-PULL	1
6		PLATE	2



THIS DRAWING IN ALL PARTICULARS IS WESCO INDUSTRIAL PRODUCTS, LLC PROPERTY. ALL RIGHTS OF DESIGN, INVENTION OR USE OF ARE RESERVED.

PRINT ISSUED

AUG. 26, 2020

WESCO MANUFACTURING
ENGINEERING DEPARTMENT

REV. ECH & DATE	PART NAME		DRAWING	
	ADVANTAGE PRO POWER 27" X 48" (3300 LB CAP.)		RWS 08-26-20	
	TOLERANCE UNLESS OTHERWISE SPECIFIED		APP. ENGR.	
	FRACTION 3 PLACE DECIMAL 2 PLACE DECIMAL		SCALE:	
	± 1/64	± .005	± .01	273923
	ANGULAR ± 1-1/2°		SHEET 11 OF 11	REV A
	BREAK ALL SHARP EDGES AND REMOVE ALL BURRS			