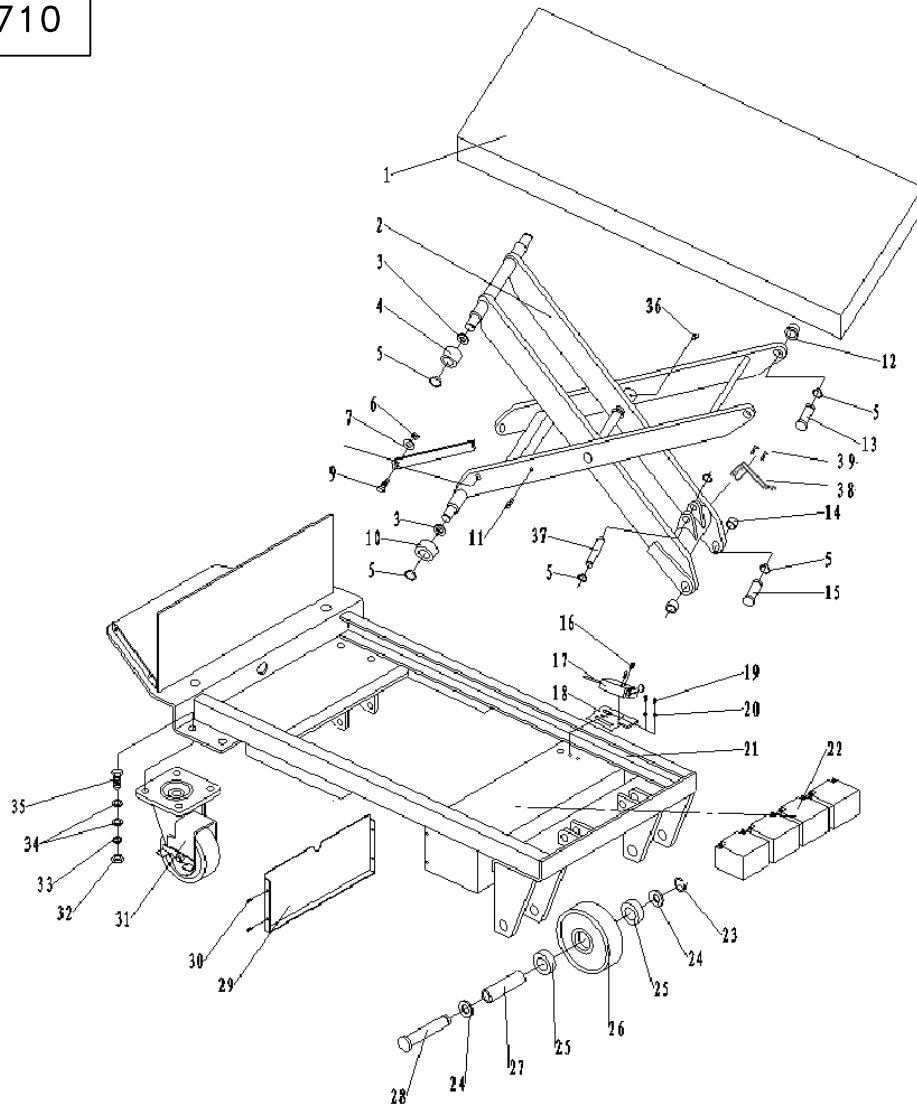


273710



POWERED SCISSORS LIFT TABLES

P/N: 273710
 Model: PSLT-660
 Capacity: 660 lbs
 Table Top Size: 19.75" x 33" x 2"
 Overall Height: 36"
 Overall Width: 19.75"
 Overall Length: 45"
 Caster: 5" x 1.25"
 Weight: Moldon Polyurethane 256 lbs

REPLACEMENT PARTS LIST

ITEM	PART NO.	DESCRIPTION	QTY.
1		PLATFORM WELDMENT	1
2		FORK WELDMENT	1
3		SPACER	4
4		GUIDE WHEEL	2
5		CIRCLIPS FOR SHAFT	9
6		HEX NUT M10	2
7		FLAT WASHER	2
8		SUPPORT PLATE	2
9		BOLT M10 X 40	2
10		ROLLER	2
11		ELASTIC CYLINDRICAL PIN 8 X 26	2
12		SHOULDER HARNESS 16 X 18 X 12	2
13		HINGE PIN	2
14		BUSHING	2
15		HINGE PIN	2
16		SCREW M4 X 22	2
17		LIMIT SWITCH TZ-8104	1
18		SWITCH BASE	1
19		SCREW M4 X 10	2
20		FLAT WASHER 5	2
21		CHASSIS WELDING	1
22		BATTERY 12V/15AH	4
23		CIRCLIPS FOR SHAFT	2
24		SPACER	4
25		BEARING 6203	4
26		FRONT WHEEL	2
27		PINION WHEEL	2
28		AXLE	2
29		TANK COVER	1
30		SCREW M4 X 8	4
31		STEERING WHEEL ASS'Y (W BRAKE)	2
32		HEX NUT M8	8
33		SPRING WASHER	8
34		FLAT WASHER	16
35		BOLT M8 X 25	8
36		GREASING CUP M6	2
37		CONNECTING SHAFT	1
38		CONTACTING BOARD	1
39		SCREW M6 X 10	2

THIS DRAWING IN ALL PARTICULARS IS WESCO INDUSTRIAL PRODUCTS INC. PROPERTY. ALL RIGHTS OF DESIGN, INVENTION OR USE OF ARE RESERVED.

PRINT ISSUED

FEB-25-2015

WESCO MANUFACTURING
ENGINEERING DEPARTMENT

APP
ECN & DATE
REV.

REVISIONS

WESCO INDUSTRIAL PRODUCTS INC.
NORTH WALES PENNA. 19454

PART NAME
PSLT-660
POWERED SCISSORS LIFT TABLES

DRAWN: RS 02-25-15

CHECKED:

APP. ENGR.

SCALE:

TOLERANCE UNLESS OTHERWISE SPECIFIED

FRACTION	3 PLACE DECIMAL	2 PLACE DECIMAL
± 1/64	± .005	± .01

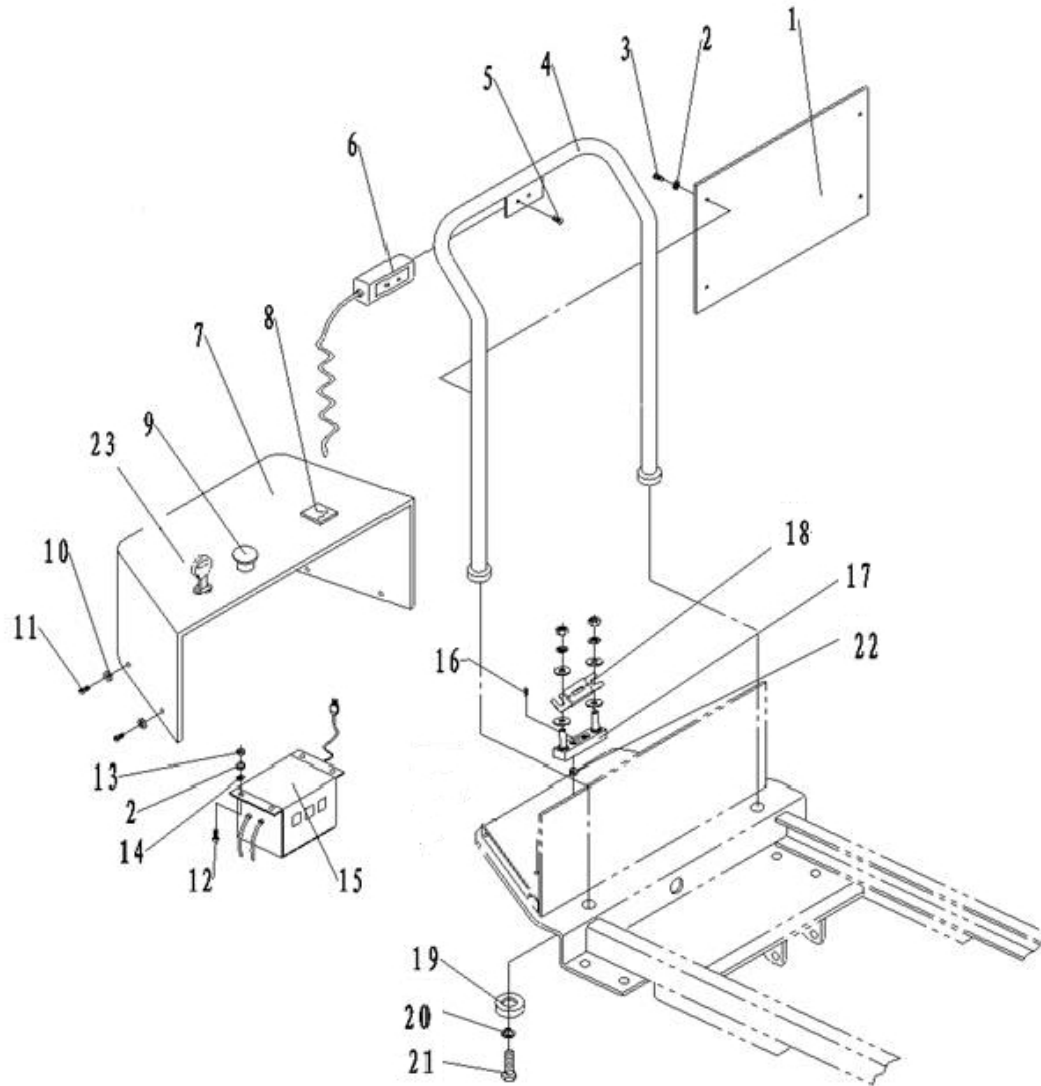
ANGULAR ± 1-1/2" SHEET 1 OF 4

BREAK ALL SHARP EDGES AND REMOVE ALL BURRS

A-273710

REV

273710



REPLACEMENT PARTS LIST

ITEM	PART NO.	DESCRIPTION	QTY.
1		DAMPER	1
2		FLAT WASHER	1
3		SCREW M6 X 16	4
4		HANDLE WELDMENT	1
5		SCREW M4 X 8	2
6		ETF 2-POSITION BUTTON ASSEMBLY	1
7		ELECTRICAL COVER	1
8		VOLTMETER CP-C480~30V	1
9		EMERGENCY STOP SWITCH CE4T-10R-01	1
10		FLAT WASHER	4
11		SCREW M5 X 15	4
12		SCREW M6 X 15	4
13		HEX NUT M6	4
14		SPRING WASHER	4
15		CHARGER 24V/3A	1
16		SCREW M5 X 20	2
17		FUSE HOLDERS SYY	1
18		BOLTED FUSE 60A	1
19		SPACER	2
20		CIRCLIPS FOR SHAFT	2
21		SCREW M12 X 30	2
22		LOCK NUT M5	2
23		GENERAL KEY SWITCH LKS-101A	1

THIS DRAWING IN ALL PARTICULARS IS WESCO INDUSTRIAL PRODUCTS INC. PROPERTY. ALL RIGHTS OF DESIGN, INVENTION OR USE OF ARE RESERVED.

PRINT ISSUED

FEB-25-2015

WESCO MANUFACTURING
ENGINEERING DEPARTMENT

APP
ECN & DATE
REV.

REVISIONS

WESCO INDUSTRIAL PRODUCTS INC.
NORTH WALES PENNA. 19454

PART NAME
PSLT-660
POWERED SCISSORS LIFT TABLES

DRAWN: RS 02-25-15

CHECKED:

APP. ENGR.

SCALE:

TOLERANCE UNLESS OTHERWISE SPECIFIED
FRACTION 3 PLACE DECIMAL 2 PLACE DECIMAL
± 1/64 ± .005 ± .01

ANGULAR ± 1-1/2' SHEET 2 OF 4

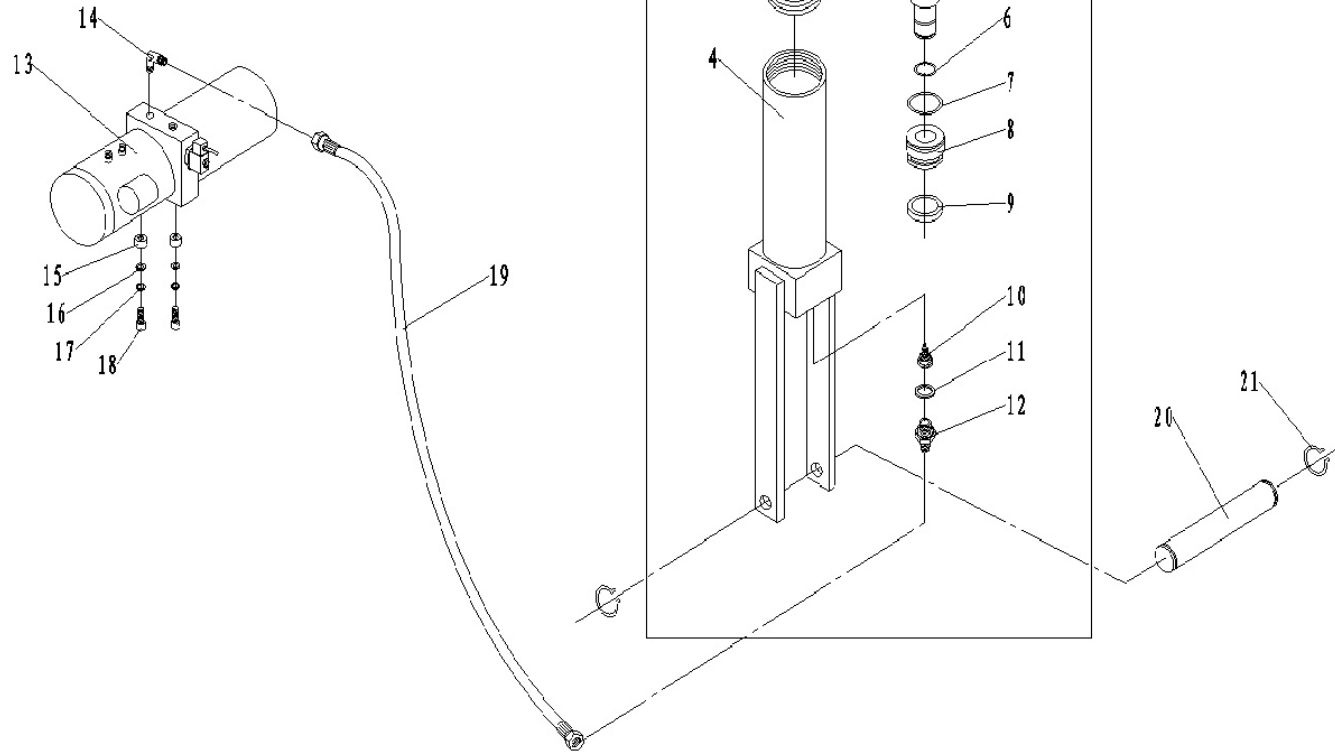
BREAK ALL SHARP EDGES AND REMOVE ALL BURRS

A-273710 REV

273710

REPLACEMENT PARTS LIST

ITEM	PART NO.	DESCRIPTION	QTY.
1		DUST RING 30 X 40 X 5	1
2		O-RING 36 X 3.5	1
3		CYLINDER COVER	1
4		CYLINDER WELDING	1
5		PISTON ROD	1
6		ROUND WIRE SNAP RINGS FOR HOLE	1
7		O-RING 50 X 3.1	1
8		PISTON	1
9		Y-TYPE SEALING RING FOR SHAFT	1
10		SAFETY VALVE ASSEMBLY	1
11		WASHER ASSEMBLY	1
12		PIPE JOINT	1
13		PUMP STATION DC24V-800W	1
14		RIGHT ANGLE ADJUSTABLE ADAPTER	1
15		WASHER	2
16		SPRING WASHER	2
17		FLAT WASHER	2
18		SCREW M10 X 30	2
19		HIGH PRESSURE HOSE	1
20		BIG PIN	1
21		CIRCLIPS FOR SHAFT	2
[1]		CYLINDER ASSEMBLY	1



THIS DRAWING IN ALL PARTICULARS IS WESCO INDUSTRIAL PRODUCTS INC. PROPERTY. ALL RIGHTS OF DESIGN, INVENTION OR USE OF ARE RESERVED.

PRINT ISSUED

FEB-25-2015

WESCO MANUFACTURING
ENGINEERING DEPARTMENT

APP
ECN & DATE
REV.

REVISIONS

WESCO INDUSTRIAL PRODUCTS INC.

NORTH WALES

PENNA. 19454

PART NAME

PSLT-660

DRAWN: RS 02-25-15

POWERED SCISSORS LIFT TABLES

CHECKED:

TOLERANCE UNLESS OTHERWISE SPECIFIED

APP. ENGR.

FRACTION 3 PLACE DECIMAL 2 PLACE DECIMAL

SCALE:

± 1/64 ± .005 ± .01

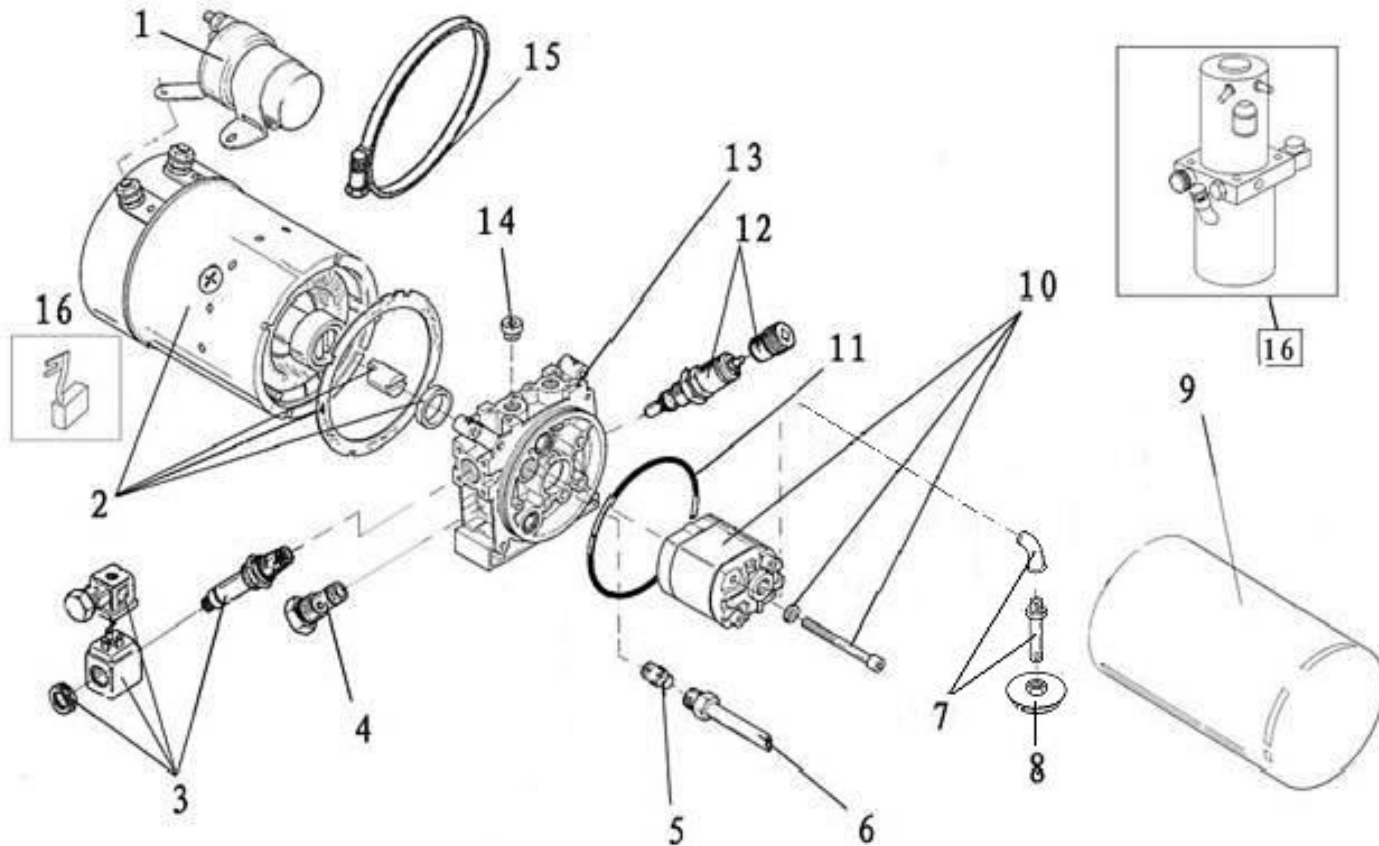
ANGULAR ± 1-1/2' SHEET 3 OF 4

BREAK ALL SHARP EDGES AND REMOVE ALL BURRS

A-273710

REV

273710



REPLACEMENT PARTS LIST

ITEM	PART NO.	DESCRIPTION	QTY.
1		STARTER RELAY	1
2		MOTOR	1
3		SOLENOID VALVE	1
4		CHECK VALVE	1
5		FLOW CONTROL VALVE	1
6		OIL RETURNING PIPE	1
7		OIL SUCTION PIPE	1
8		STRAINER	1
9		OIL TANK	1
10		GEAR PUMP	1
11		O-RING	1
12		OVERFLOW VALVE	1
13		VALVE BODY	1
14		PLUG	1
15		HOOP	1
16		MOTOR CARBON BRUSH	1
[16]		PUMP STATION 24V-800W	1

THIS DRAWING IN ALL PARTICULARS IS WESCO INDUSTRIAL PRODUCTS INC. PROPERTY. ALL RIGHTS OF DESIGN, INVENTION OR USE OF ARE RESERVED.

PRINT ISSUED

FEB-25-2015

WESCO MANUFACTURING
ENGINEERING DEPARTMENT

APP
ECN & DATE
REV.

REVISIONS

WESCO INDUSTRIAL PRODUCTS INC.

NORTH WALES

PENNA. 19454

PART NAME

PSLT-660

DRAWN: RS 02-25-15

POWERED SCISSORS LIFT TABLES

CHECKED:

TOLERANCE UNLESS OTHERWISE SPECIFIED

APP. ENGR.

FRACTION 3 PLACE DECIMAL 2 PLACE DECIMAL

SCALE:

± 1/64 ± .005 ± .01

ANGULAR ± 1-1/2' SHEET 4 OF 4

BREAK ALL SHARP EDGES AND REMOVE ALL BURRS

A-273710

REV