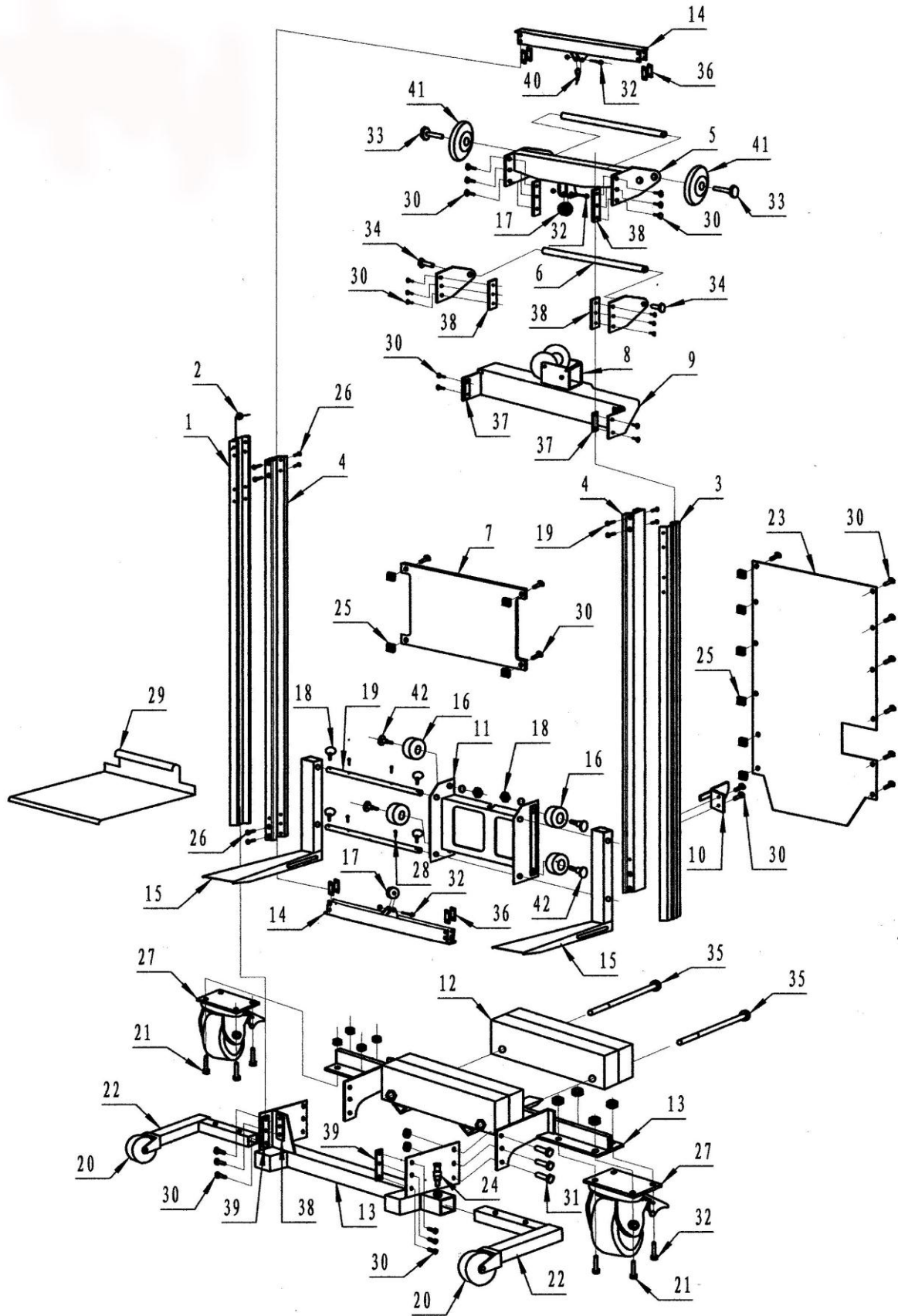


#273515 HWLCB-3.5



WESCO #	Ref. No.	Description	Qty.
	1	Left Mast Frame	1
	2	Gasket	30
	3	Right Mast Frame	1
	4	Inner Frame	2
	5	Up Support Frame Assembly	1
	6	Operator Handle	1
	7	Decal Plate	1
273547	8	Manual Winch	1
	9	Winch Mounting Support Bracket	1
	10	Limit Position Assembly	1
273536	11	Carriage	1
	12	Counterweight Base	2
	13	Counterweight Support Weldment	1
	14	Beam	2
273538	15	Fork	2
	16	Roller Wheel	4
273531	17	Upper and Lower Pulley	3
273546	18	Fork Lock Pin	4
273537	19	Carriage Crossbars	2
273542	20	Fixed Wheel 4"	1
	21	Hexagon Headed Bolt M10x25	1
	22	Adjustable leg	2
	23	Baffle Plate	1
273540	24	Leg Lock Pin	2
	25	Square Nut M6	2
	26	Flat Head Screw M6x20	2
273543	27	Swivel Castor 5"	1
	28	Spring pin	1
273518	29	Deck Platform(option)	1
	30	Hexagon Headed Bolt M6x12	38
	31	Hexagon Headed Bolt M8x25	8
273532	32	Hexagon Headed Bolt M10x60	3
	33	Hexagon Headed Bolt M12x70	2
	34	Hexagon Headed Bolt M12x25	2
	35	Hexagon Headed Bolt M12x280	2
	36	Fastness Plate(short)	8
	37	Fastness Plate	2

	38	Fastness Plate(long)	6
	39	Elongated Fastness Plate	2
	40	Cable Ring	1
273530	41	Loading Wheels 4"	2
	42	Roll Wheel Central Spindle	4

273554 NOT SHOWN CABLE: 350 LBS

HWLSD-3.5 (273515)  
RAISED HEIGHT  
FORKS DOWN: 120  
FORKS UP: 142

LOWERED HEIGHT  
FORKS DOWN:  $1\frac{1}{4}$   
FORKS UP:  $21\frac{1}{4}$   
350 LBS CAPACITY

