

ATTENTION: TO INSURE SAFE AND EASY USE OF YOUR WESCO PALLET TRUCK, READ THESE INSTRUCTIONS BEFORE USING.

Description

The Wesco 4-Way Pallet Truck is designed for entering pallets from all four sides. It features reinforced forks, adjustable fork connecting rods and a rubber coated handle.

Wesco Industrial Products, LLC
1250 Welsh Road
North Wales, PA 19454
Tel: 215-699-7031 Fax: 215-699-3836

Contact the factory for parts information and ordering.
Visit us on the web at www.wescomfg.com

Unpacking

When unpacking the Wesco Product, check carefully for shipping damage and missing parts. If damage has occurred or any parts are missing, file a claim with the delivering carrier within 24 hours and notify the dealer from whom the unit was purchased.

Warranty Repairs

If the unit does not work properly, contact your dealer or the factory (215-699-7031) for units less than 90 days old.

Non-Warranty Service

If units are older than 90 days, repairs can be made easily on site with factory supplied parts.

NOTE: Do not send units to the factory for service without first obtaining a "Return Merchandise Authorization" (RMA) number from the customer service department. We will not be responsible for merchandise returned without proper authorization.



Figure 1

Operation

Control Handle

The control handle of the truck and can be adjusted to three different positions:

Raise -handle down

Drive -handle in center position

Lower -handle up, the lever moves back to the drive position when released.

Entering Pallet

As shown below, the 4-way pallet truck can enter from any side of a pallet and then proceed to transport the load.

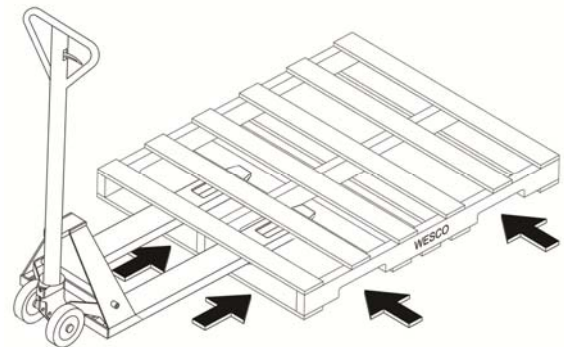
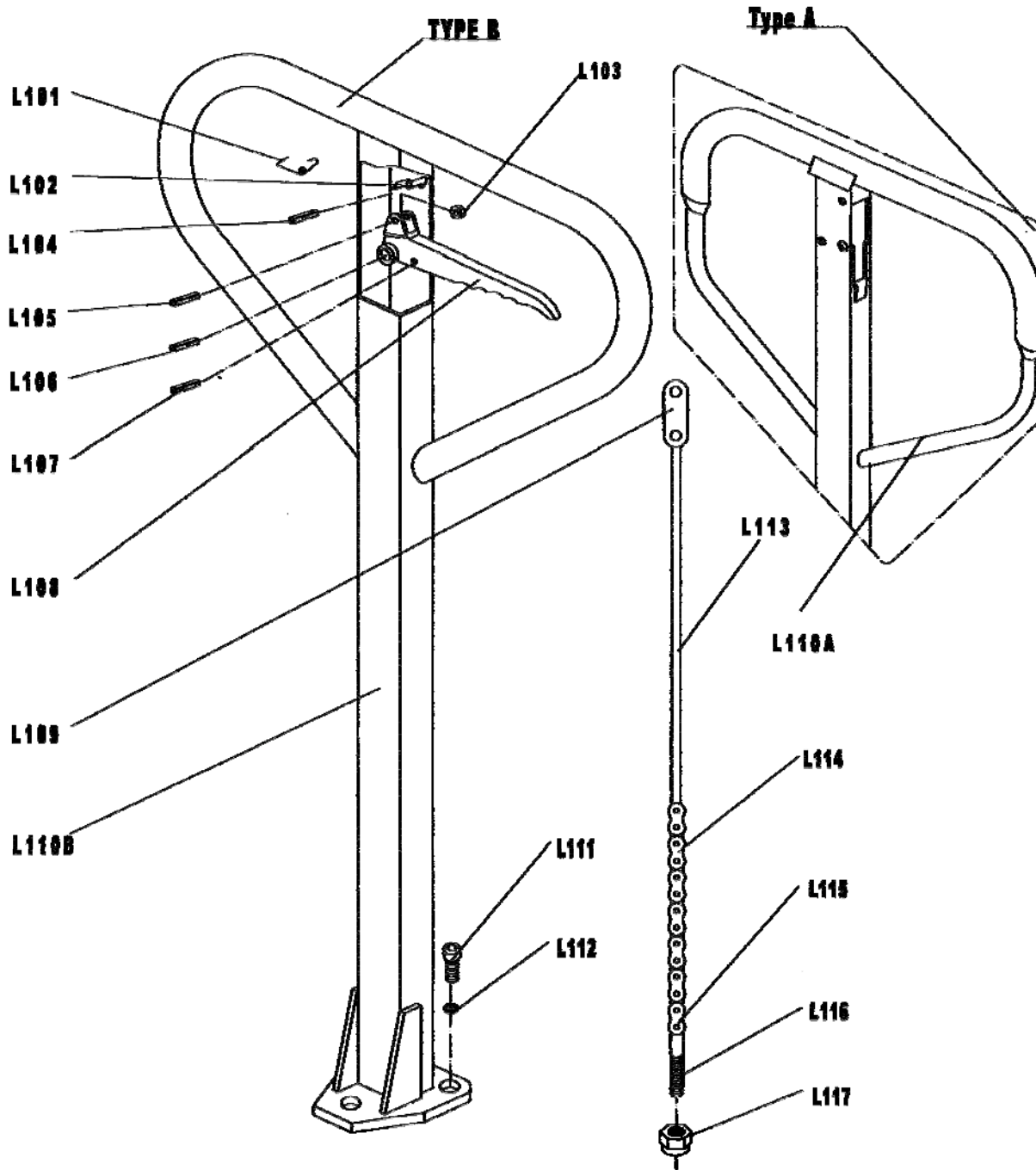


Figure 2

ATTENTION: TO INSURE SAFE AND EASY USE OF YOUR WESCO PALLET TRUCK, READ THESE INSTRUCTIONS BEFORE USING.

1. HANDLE PART INFORMATION

1.1 HANDLE PARTS DIAGRAM



4-Way Pallet Truck (Part # 273400) Instruction Manual

ATTENTION: TO INSURE SAFE AND EASY USE OF YOUR WESCO PALLET TRUCK, READ THESE INSTRUCTIONS BEFORE USING.

1. HANDLE PART INFORMATION

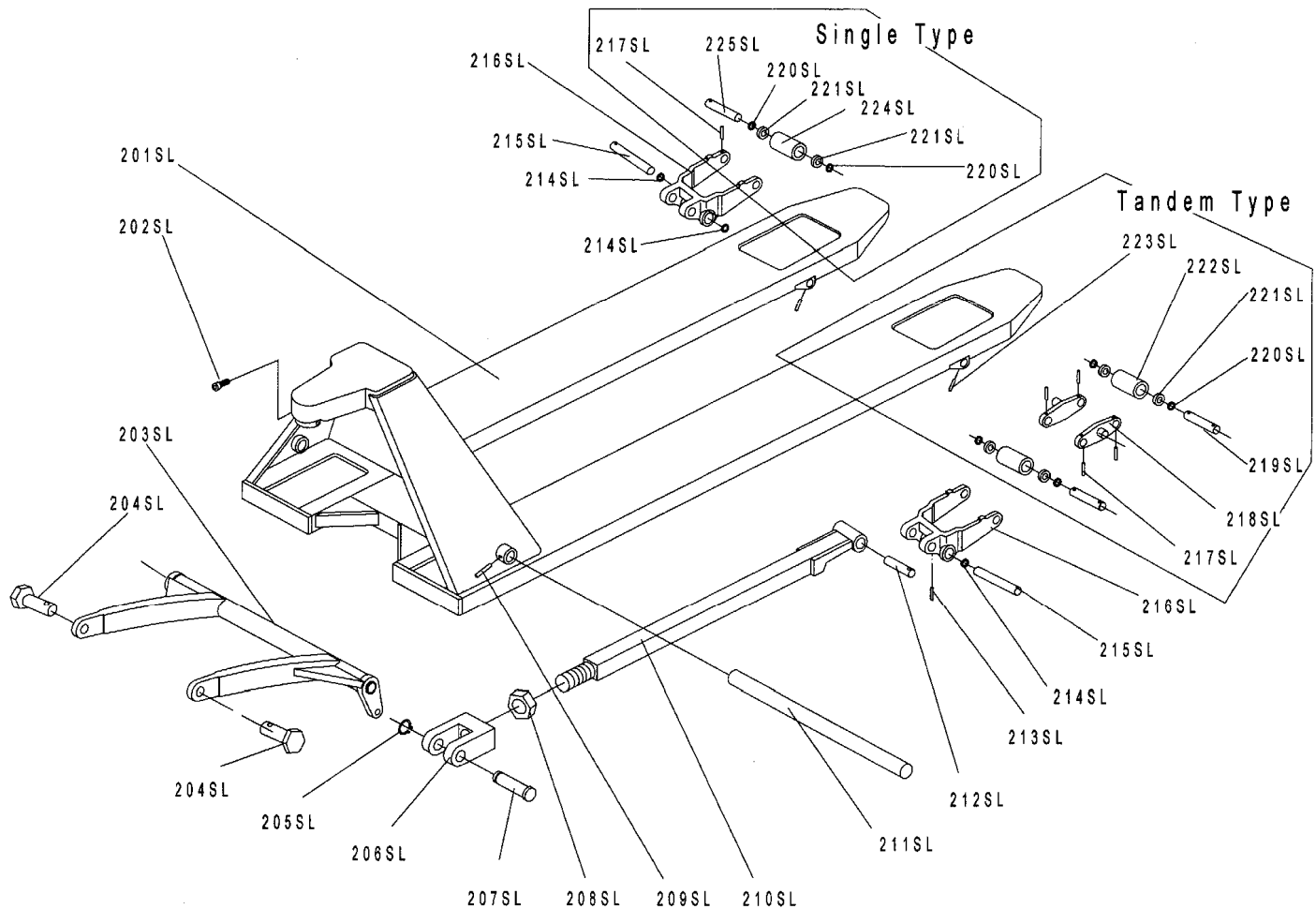
1.2 HANDLE PARTS LIST

Item	Part Number	Description	Qty.	Item	Part Number	Description	Qty.
L101	274076	Spring	1	L110A	274075	Handle	1
L102	274083	Blade Spring	1	L110B		Handle	1
L103	274001	Roller	1	L111		Bolt	3
L104	272453	Elastic Pin	1	L112		Elastic Washer	3
L105	272042	Elastic Pin	1	L113		Pull Rod	1
L106	272043	Elastic Pin	1	L114		Chain	1
L107	272322	Elastic Pin	1	L115		Pin	1
L108		Control Handle	1	L116	272456	Adjusting Bolt	1
L109	274084	Pull Board	1	L117	272337	Adjusting Nut	1
REPLACEMENT KIT LIST							
	274495	Handle Assembly	(Includes Items L101-L110A & L113-L117)				1
	274079	Bolt/Elastic Washer Kit	(Includes Items L111-L112)				1
	272454	Chain/Pin Kit	(Includes Items L114-L115)				1
	272791	Control Handle Kit	(Includes Items L103, L105, L108, L109, L113 & L114)				1
	274087	Release Assembly Kit	(Includes Items L115-L117)				1

ATTENTION: TO INSURE SAFE AND EASY USE OF YOUR WESCO PALLET TRUCK, READ THESE INSTRUCTIONS BEFORE USING.

2. FRAME PART INFORMATION

2.1 FRAME PARTS DIAGRAM



2.2 FRAME PARTS LIST

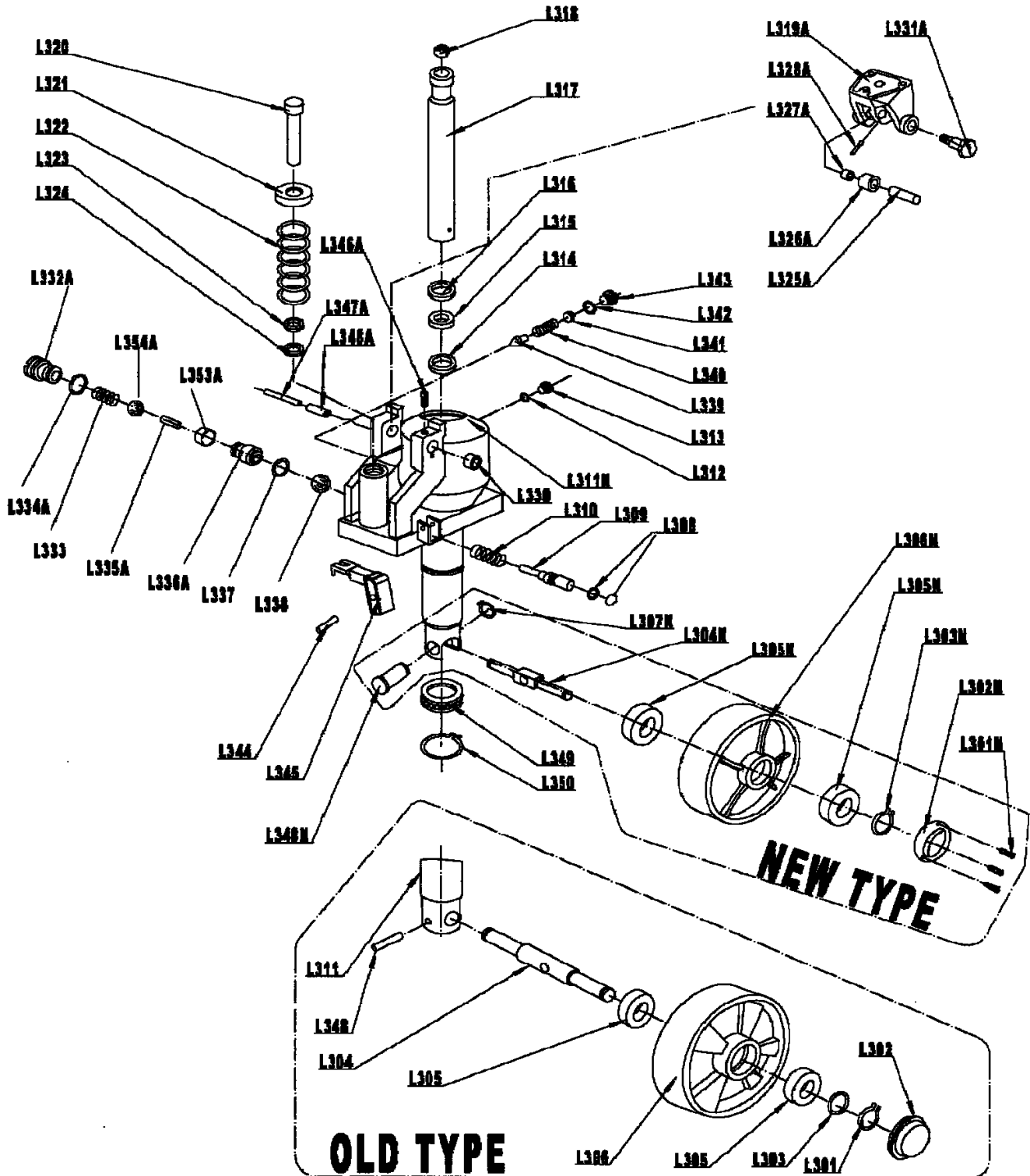
Item	Part Number	Description	Qty.
L201SL	272672	Fork Frame	1
L202SL	272673	Bolt	1
L203SL	272674	Rock-Arm	1
L204SL	274604	Shaft	2
L205SL	272676	Retaining Ring	2
L206SL	272677	Joint	2
L207SL	272678	Pin	2
L208SL	272679	Nut	2
L209SL	272680	Elastic Pin	1
L210SL	272681	Pushing Rod	2
L211SL	272682	Long Shaft	1
L212SL	272683	Shaft	2
L213SL	272684	Elastic Pin	2

Item	Part Number	Description	Qty.
L214SL	272685	Washer	4
L215SL	272686	Shaft	2
L216SL	272687	Frame of Roller	2
L217SL	272688	Elastic Pin	2
L218SL		Link Plate	4
L219SL		Shaft for Roller	4
L220SL	272689	Washer	4
L221SL	274472	Bearing	8
L222SL		Roller	4
L223SL	272691	Elastic Pin	4
L224SL	274471	Roller (Steel) 1.7" x 3.7"	4
L225SL	272693	Shaft for Roller	2

ATTENTION: TO INSURE SAFE AND EASY USE OF YOUR WESCO PALLET TRUCK, READ THESE INSTRUCTIONS BEFORE USING.

3. PUMP PART INFORMATION

3.1 PUMP PARTS DIAGRAM



ATTENTION: TO INSURE SAFE AND EASY USE OF YOUR WESCO PALLET TRUCK, READ THESE INSTRUCTIONS BEFORE USING.

3. PUMP PART INFORMATION

3.2 PUMP PARTS LIST

Item	Part Number	Description	Qty.
L301	272789	Retaining Ring (For Axle)	2
L302	272793	Hub Cap	2
L303	272794	Washer	2
L304	272795	Shaft of Wheel	1
L305	272325	Bearing	4
L306	274470	Steering Wheel	2
L311	272779	Pump Body	1
L348	273011	Elastic Pin	1
L301N		Screw	6
L302N		Hub Cap	2
L303N		Retaining Ring (For Axle)	2
L304N		Shaft of Wheel	1
L305N		Bearing	4
L306N		Steering Wheel	2
L307N		Retaining Ring	1
L311N		Pump Body	1
L348N		Elastic Pin	1
L308	273013	O-Ring	2
L309	273014	Release Valve	1
L310	273015	Spring	1
L312	273016	Seal Washer	1
L313	273017	Bolt	1
L314	273018	Y-Seal	1
L315	273019	Y-Seal	1
L316	273020	Wiper	1
L317	273021	Left Piston Rod	1
L318	273022	Steel Ball	1
L319		Bracket	1
L320	272797	Pump Piston	1
L321	272310	Cap	1
L322	272790	Spring	1

Item	Part Number	Description	Qty.
L323	272798	Wiper	1
L324	272799	Y-Seal	1
L325A		Axle of Roller	1
L326A		Pressure Roller	1
L327A		Bushing	1
L328A		Elastic Pin	1
L329A		Elastic Pin	1
L330	273008	Bushing	2
L331A	274493	Shoulder Bolt	2
L332A		Plug Bolt	1
L333	273006	Spring	1
L334A		O-Ring	1
L335A		Valve Pin	1
L336A		Seat of Pumping Valve	1
L337	273007	O-Ring	1
L338	273001	Steel Ball	1
L339	272099	Safety Valve Pin	1
L340	273026	Spring	1
L341	273027	Adjusting Bolt	1
L342	272028	O-Ring	1
L343	272029	Plug Bolt	1
L344	273009	Elastic Pin	1
L345	273010	Lever Plate	1
L346A		Screw	2
L347A		Elastic Pin	1
L348A		Roller	1
L349	272100	Thrust Bearing	1
L350	273012	Snap Ring	1
L353A		Sleeve	1
L354A		Steel Ball	1

REPLACEMENT KIT LIST

REPLACEMENT KIT LIST			
	274095	Complete Replacement Pump	1
	274098	Seal Kit	1