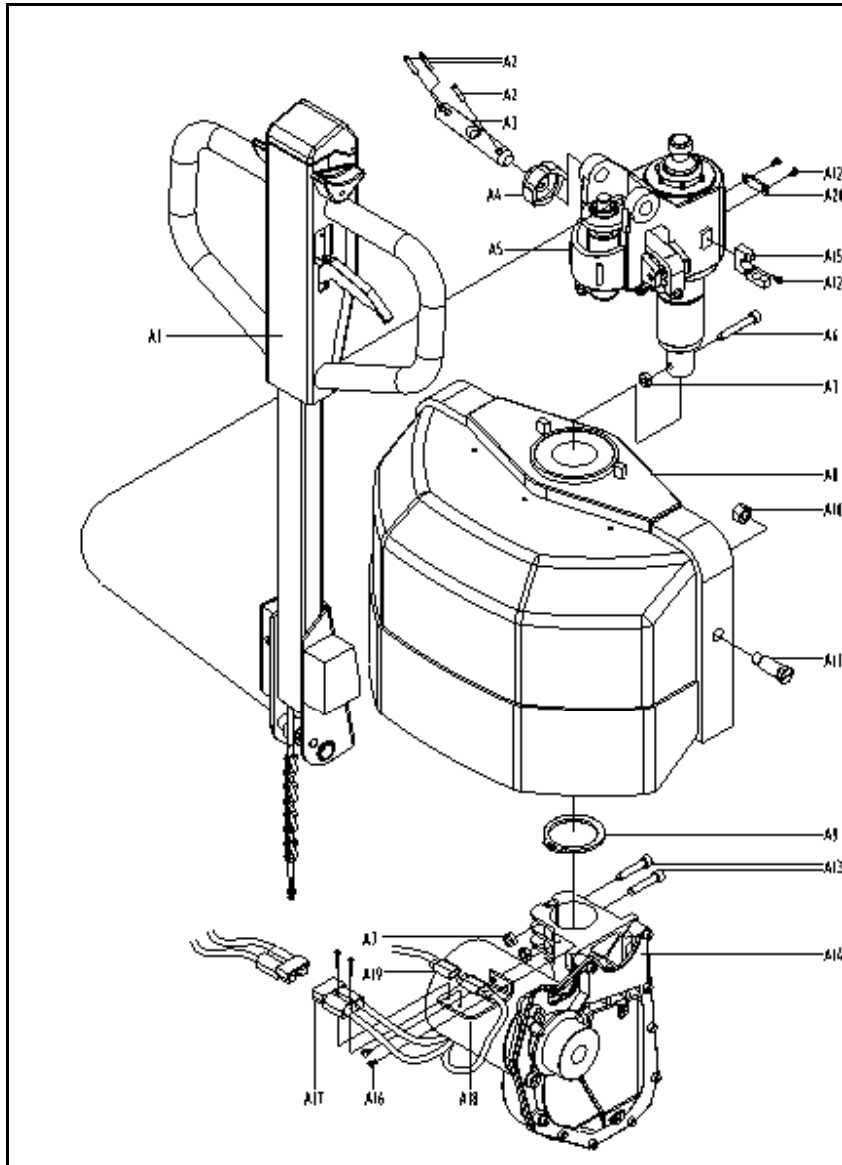


# 273289 - CBD10A3 Semi-electric Pallet truck

## Spare parts Catalogue

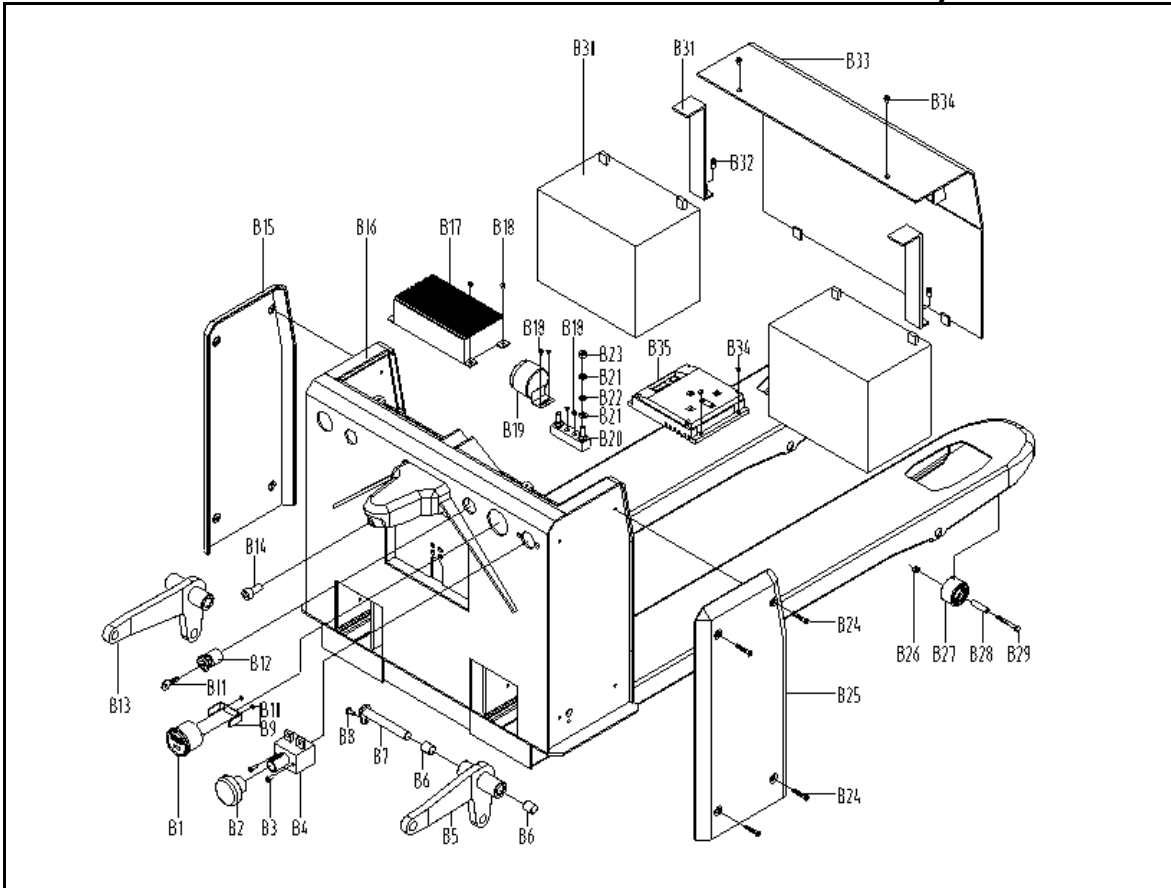
1.CBD10A3General assembly 1.....	1
2.CBD10A3General assembly 2.....	2
3.CBD10A3Drive wheel assembly.....	3
4.CBD10A3Fulcrum bearing assembly.....	4
5.CBD10A3Connecting rod and wheel carrier unit.....	5
6.CBD10A3Parts catalogue of handle unit1.....	6
7.CBD10A3Parts catalogue of handle unit2.....	7
8.CBD10A3Oil pump assembly1.....	8
9.CBD10A3Oil pump assembly2.....	9

## 273289-CBD10A3 General assembly 1



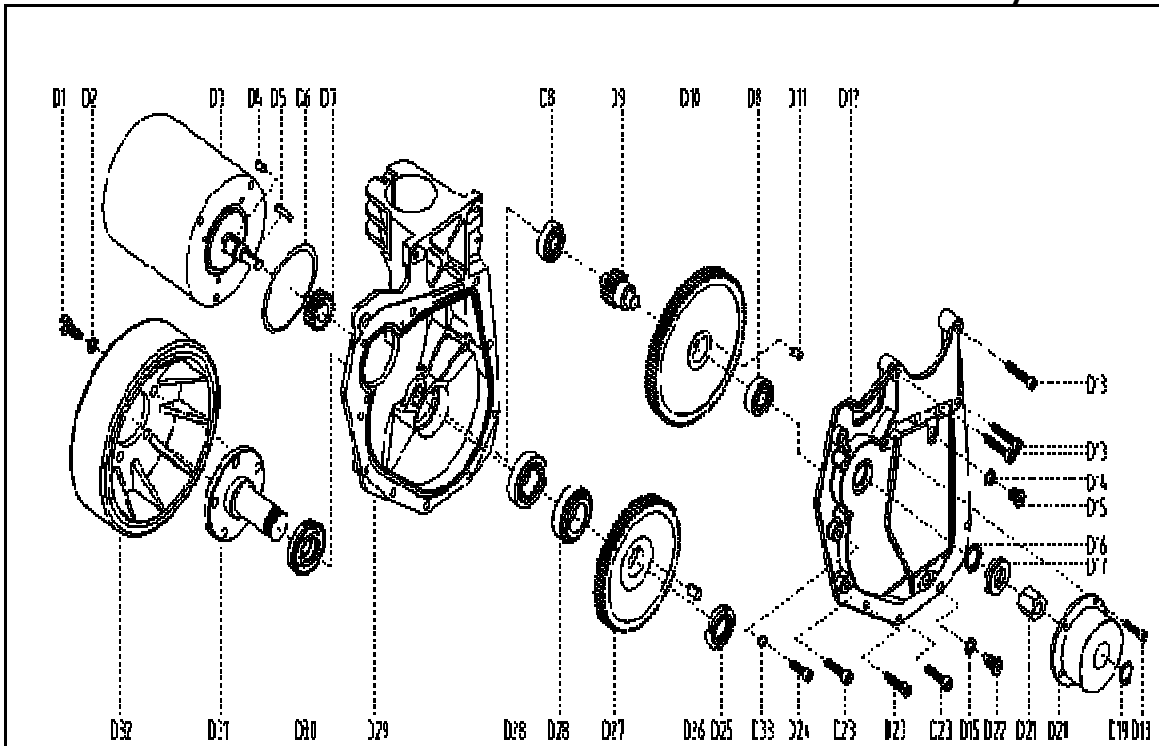
No.	Drawing no.	Name	Qty.
A1	273455-CBD10A3.1-00	Handle assembly	1
A2	GB879-86	Elastic pin 5X32	3
A3	CBD10A.8-02	Press axle	1
A4	CBD10A2.8-01	Positional cam	1
A5	CBD10A2.3-00	Oil pump assembly	1
A6	GB70-85	Soket head cap screw M8X50	1
A7	GB889-86	Lock nut M8	3
A8	CBD10A2.4-00	Supporting seat assembly	1
A9	GB894.1-86	Circlip for axle 80	1
A10	GB889-86	Lock nut M12	2
A11	CBD10A2-03	Axle	2
A12	GB823-1988	Cross recessed screw M4X8	3
A13	GB70-85	Soket head cap screw M8X40	2
A14	CBD10A.5-00	Drive wheel assembly	1
A15		Wire clip	2
A16	GB/T818-2000	Cross recessed screw M4X10	2
A17		Plub	1
A18	CBD10A2-17	Wire connecting plate	1
A19		Connector	1
A20	CBD10A2-18	Wire pressing plate	1

## 273289-CBD10A3 General assembly 2



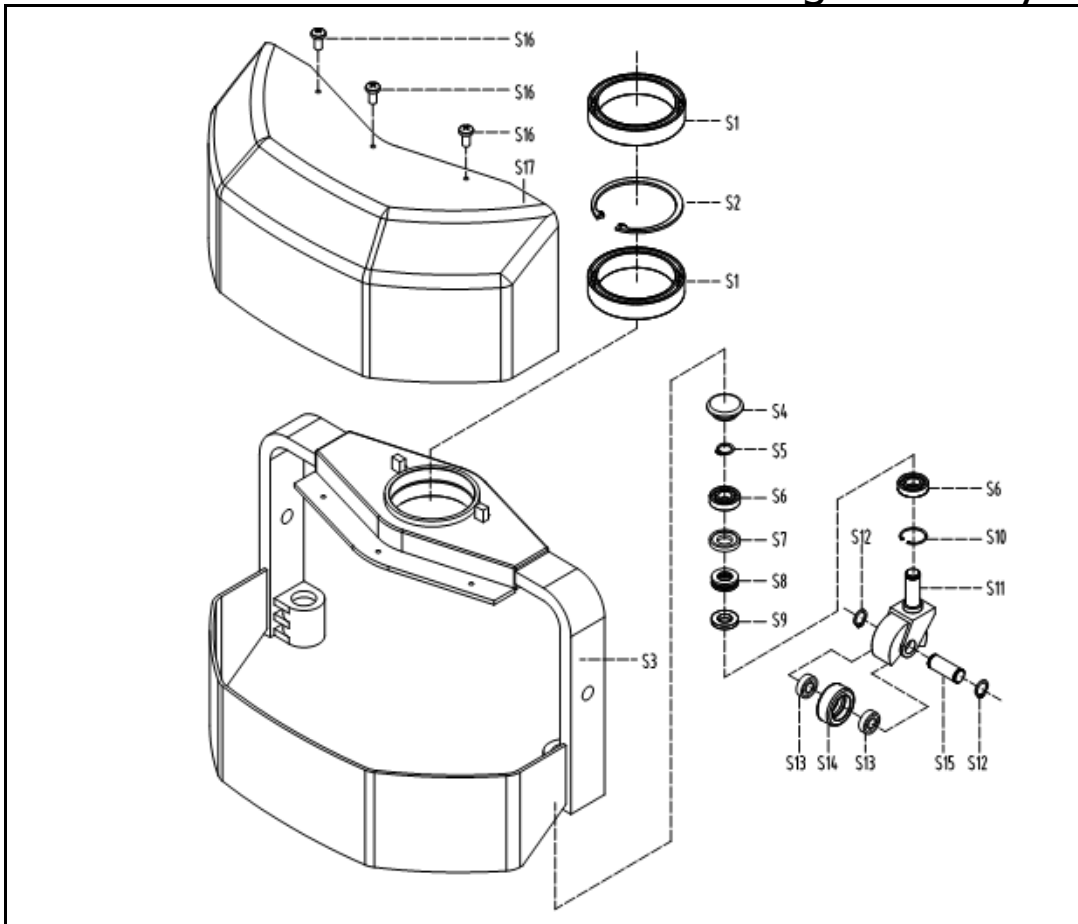
No.	Drawing no.	Name	Qty.	No.	Drawing no.	Name	Qty.
B1		Coulometer	1	B19		Buzzer	1
B2		Switch button	1	B20		Fuse base	1
B3	GB/T818-2000	Pan head screw M5X16	2	B21	GB/T95-2002	Flat washer 8	4
B4		Power switch	1	B22	GB/T859-1987	Spring gasket 8	2
B5	CBD10A.9-00	Locking arm unit, right	1	B23	GB/T41-2000	Hexagon nut M8	2
B6	CSB-10	Combined busher 16X18X20	4	B24	GB/T819.1-2000	Countersunk screw M6X35	8
B7	CBD10A3-05	L-pin roll	2	B25	CBD10A3-03	End cap, right	1
B8	GB/T5781-2000	Hexagon bolt M6X12	2	B26	GB889-86	Hexagon locknut M6	2
B9		Locating frame, coulometer	1	B27	AF-09	Pinion	2
B10	GB/T41-2000	Nut M4	2	B28	AF-08	Casing	2
B11		Key	2	B29	GB5782-86	Hexagon bolt M6X50	2
B12		Electric lock	1	B30	273617	Battery 12V80Ah	2
B13	CBD10A.9-00	Locking arm unit, left	1	B31	CBD10A3-01	Battery hoop	2
B14	GB70-85	Internal hexagon screw M6X12	1	B32	GB70-85	Internal hexagon screw M6X12	4
B15	CBD10A3-02	End cap, left	1	B33	CBD10A3.3-00	Doors unit	1
B16	CBD10A3.2-00	Frame unit	1	B34	GB/T822-2000	Cross recessed cheese head screw M6X10	7
B17	273618	Charger	1	B35	273619	Electric control	1
B18	GB/T818-2000	Pan head screw M4X16	8				

## 273289 - CBD10A3 Drive wheel assembly



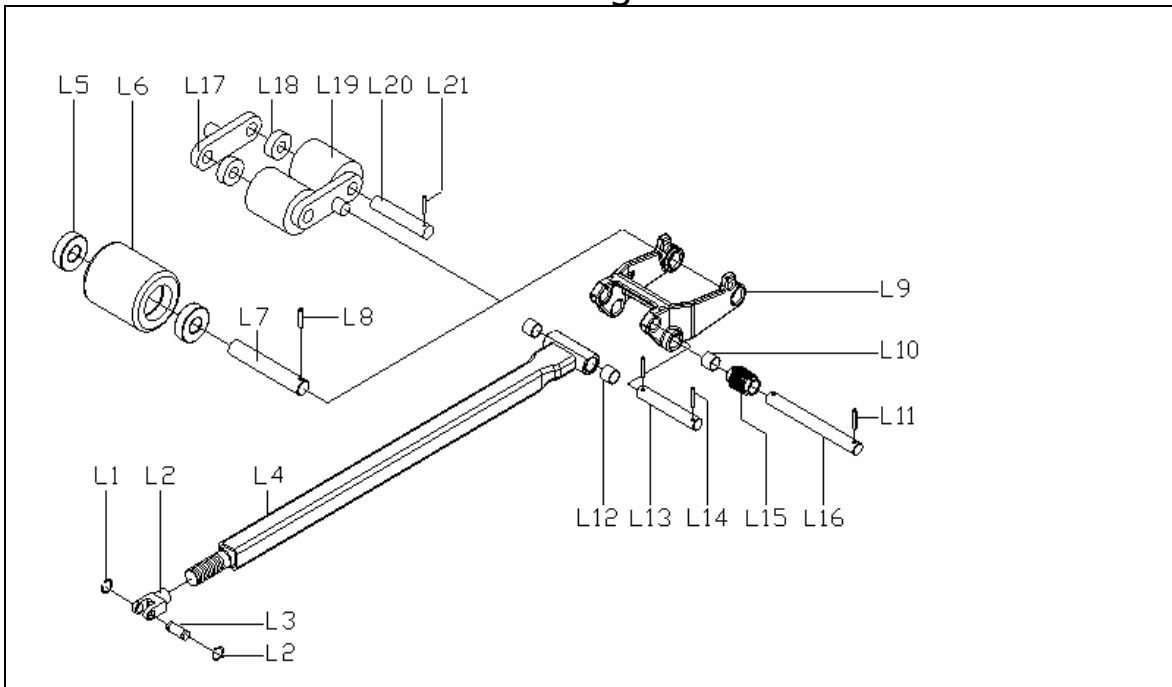
No.	Drawing no.	Name	Qty.	No.	Drawing no.	Name	Qty.
D1	GB5783-2000A	Hex bolt M8X20	5	D18	GB70-85	Hex screw M4X40	3
D2	GB93-1987	Spring gasket 8	5	D19	GB894.1-86	Axial stop 10	1
D3		Motor	1	D20		Brake	1
D4	GB1096-79A	Flat key 5X10	1	D21	CBD10A-12	Hex connecting piece	1
D5	GB1096-79A	Flat key 3X3X16	1	D22	CBD10A.5-10	Oil outlet plug	1
D6	GB3452.1-82	O ring 2.65X56	1	D23	GB70-85	Hex screw M6X30	6
D7	CBD10A.5-04	Gear 1-19	1	D24	GB70-85	Hex screw M6X35	3
D8	GB/T276-1994	Bearing 6201	2	D25	CBD10A.5-08	Circular nut M25X1.5	1
D9	CBD10A.5-06	Gear 3-17	1	D26	GB1096-79B	Flat key 8X12	1
D10	CBD10A.5-05	Gear 2-90	1	D27	CBD10A.5-09	Gear 4-77	1
D11	GB1096-79C	Flat key 6X10	1	D28	GB/T297-1994	Conic roller bearing32005	2
D12	CBD10A.5-01	Left gear box body	1	D29	CBD10A.5-02	Right gearbox body	1
D13	GB70-85	Hex screw M6X35	3	D30	HG4-692-67	Skeletal oil seal 35-47-7	1
D14	GB982-77	Combined washer 10	2	D31	CBD10A.5-07	Wheel axis	1
D15	CN.2-17	Screw bolt	1	D32	CBD10A.5-12	Bull wheel	1
D16	GB894.1-86	Axle stop 15	1	D33	GB93-1987	Spring gasket 6	3
D17	HG4-692-67	Skeletal oil seal14-25	1				

## 273289 - CBD10A3 Fulcrum bearing assembly



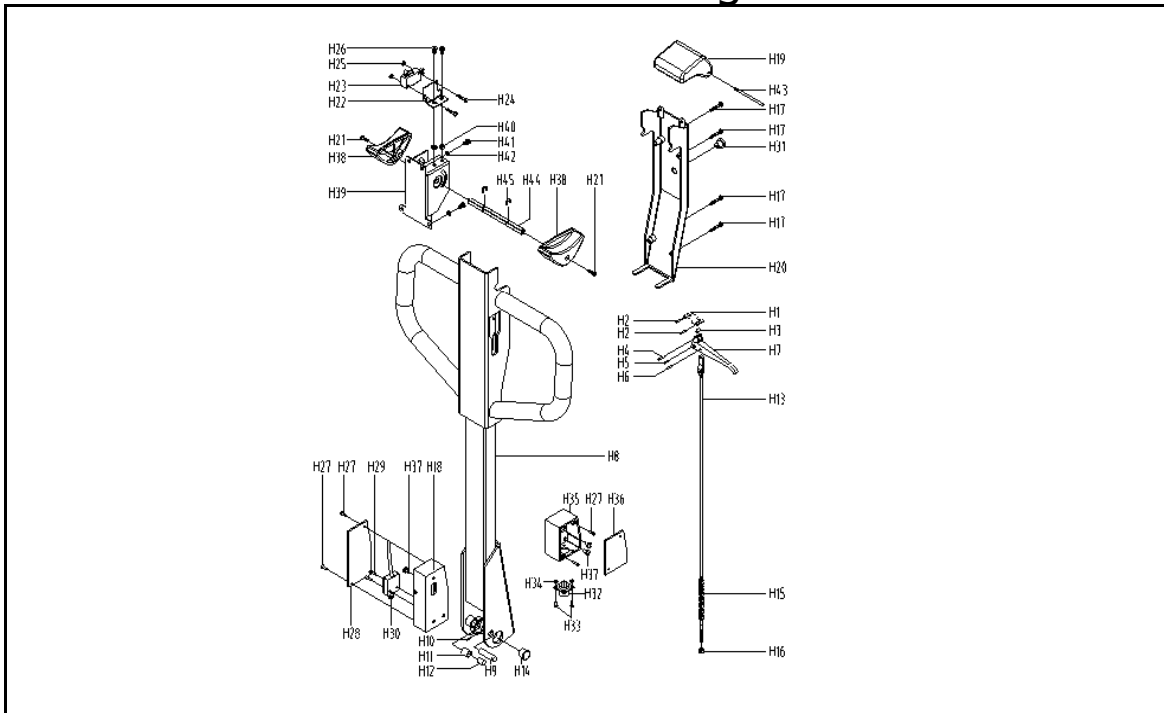
No.	Drawing no.	Name	Qty.
S1	GB/T276-94 273480	Bearing 6011	2
S2	GB893.1-86	Hole stop 90	1
S3	CBD10A2.4-00	Fulcrum bearing assembly	1
S4	CBD10A-18	Dust proof cover	2
S5	GB894.1-86	Axial stop15	2
S6	GB/T267-94	Bearing 16002	4
S7	CBD10A-04	Washer 1	2
S8	GB/T301-1995a	Thrust ball bearing51102	2
S9	CBD10-05	Washer 2	2
S10	GB893.1-86	Hole stop 32	2
S11	CBD10A-06	Universal wheel frame	2
S12	GB894.1-86	Axial stop 15	4
S13	273451 - GB/T276-94	Bearing 61902	4
S14	273452 - CBD10A-07	Universal wheel	2
S15	CBD10A-08	Wheel axis	2
S16	GB818-85	Pan-head screw M5X9	3
S17	CBD10A2.4-07	Masking plate	1

## 273289 - CBD10A3 Connecting rod and wheel carrier unit



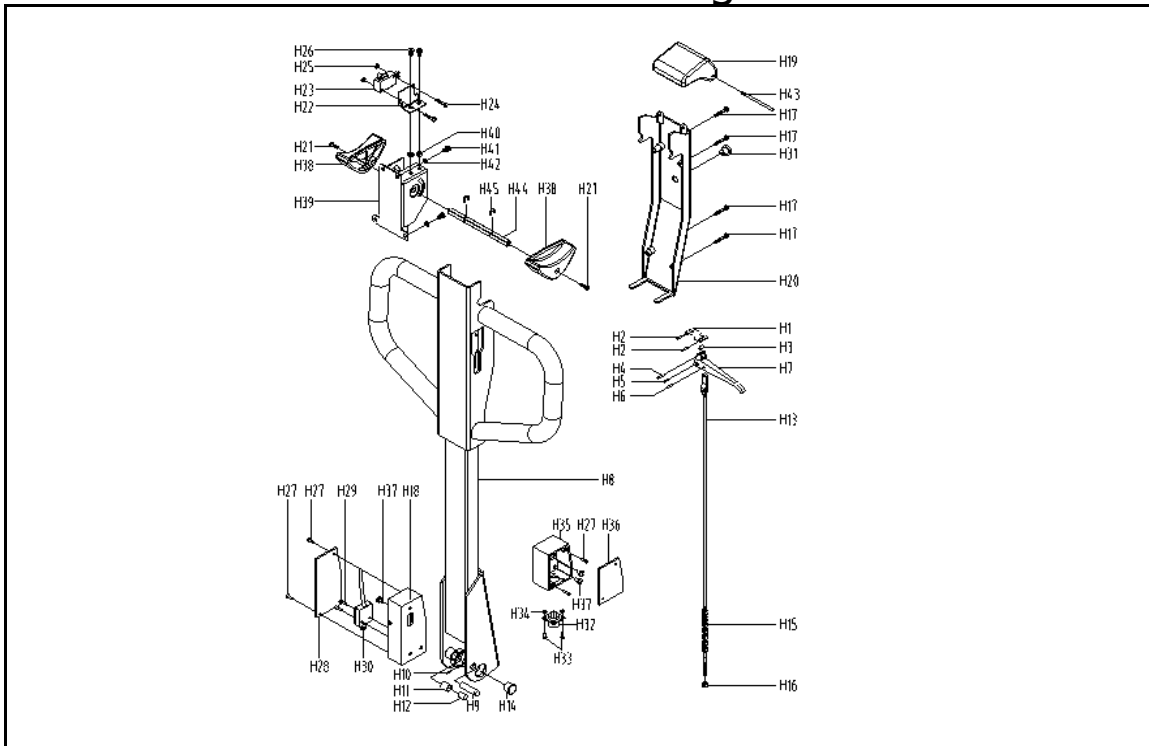
No.	Drawing no.	Name	Qty.
L1	GB894.1-86	Axial stop 16	2
L2	AF.7-05	Jointing head	1
L3	EF-01	Dual slot pin axis16X52	1
L4	273449 - CBD10A3.4.1-00	Connecting rod assembly	1
L5	GB278-86	Bearing 60204	2
L6	AF.7-01A/C	Fork wheel 80/74	1
L7	AF.7-02	Wheel axis 20X122	1
L8	GB879-86	Elastic pin 5X32	1
L9	WA.5-01	Wheel frame	1
L10	CSB10	Sleeve 16X18X15	2
L11	GB879-86	Elastic pin 5X28	2
L12	CSB10	Sleeve 16X18X15	2
L13	DB.3.3-01	Dual slot pin axis 16X100	1
L14	273450 - GB879-86	Elastic pin 5X28	2
L15	WA-08	Roller	2
L16	WA-07	Pin roll with double holes	1
L17	AF.7-04	Backing frame	2
L18	GB278-86	Bearing 60204	4
L19	AF.7-01	Fork wheel	2
L20	SYBC.5-09	Wheel axis 20X95	2
L21	GB879-86	Elastic pin 5X32	4

# 273289 - CBD10A3 Parts catalogue of handle unit1



No.	Drawing no.	Name	Qty.
H1	DF.1-01A	Locating tab	1
H2	GB879-86	Elastic pin4X31	2
H3	DF.1-02	Roller	1
H4	GB879-86	Elastic pin4X20	1
H5	GB879-86	Elastic pin6X31	1
H6	GB879-86	Elastic pin4X20	1
H7	DF.1-03	Handle	1
H8	CBD10A3.1.1-00	Handle assembly	1
H9	DF.1.2-04	Cylindrical pin	1
H10	GB879-86	Elastic pin3X20	1
H11	CN.2-13	Press wheel	1
H12	SF-1/1220	Sleeve 1220	1
H13	CBD10A.1.2-00	Tension bar assembly	1
H14	SF-1	SleeveSF-1F2015	2
H15	GB6075-86	Chain c-6-9-04c	
H16	GB889-86	Locking nut M5	1
H17	GB/T823-1988	Self tapping screw ST M4X25	4
H18	CBD10A2.1.3-00	Hand lever wire box	1
H19	CBD10A3.1-01 273520	Button	1
H20	CBD10A3.1-03 273521	Plastic cover, handle	1
H21	GB/T67-2000	Bolt M3X10	2
H22	CBD10A3.1-04	Switch erection panel	1
H23		Stroke switch	1

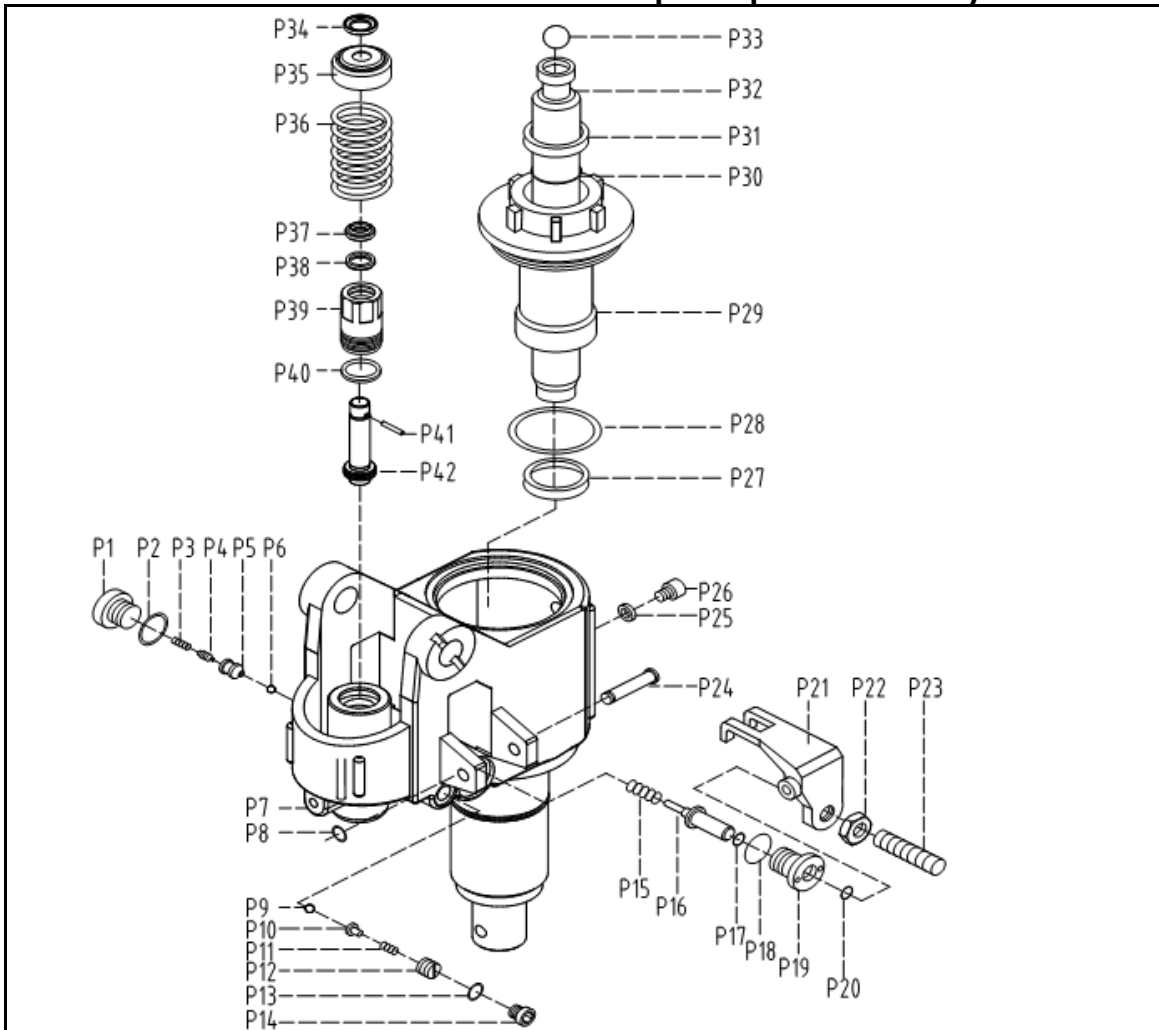
## 273289 - CBD10A3 Parts catalogue of handle unit2



No.	Drawing no.	Name	Qty.
H24	GB818-85	Pan-head screw M3X15	2
H25	GB889-86	Locking nut M3	2
H26	GB/T823-1988	Bolt M4X8	2
H27	GB846-1985	Self tapping screw ST2.9X13	4
H28	CBD10A2.1-05	Lever wire box cover	1
H29	GB70-85	Hex+G60 screw M5X20	2
H30	TZ-3112	Stroke switch TZ-3112	1
H31		Switch	1
H32		Socket	1
H33	GB/T818-2000	boltM3X8	4
H34	GB41-86	Nut M3	4
H35	CBD10A2.1-06	Hand lever wire box	1
H36	CBD10A2.1-07	Lever wire box cover	1
H37	GB67-85	Bolt M5X8	3
H38	CBD10A3.1-05	Turn-knob	2
H39		Accelerator	1
H40	GB889-86	Locking nut M4	2
H41	GB/T823-1988	Bolt M4X6	4
H42	GB/T859-1987	Spring washer 4	4
H43	CBD10A3.1-10 273522	Long and thin axle	1
H44		Square shaft, accelerator	1
H45		Split baffle ring	2

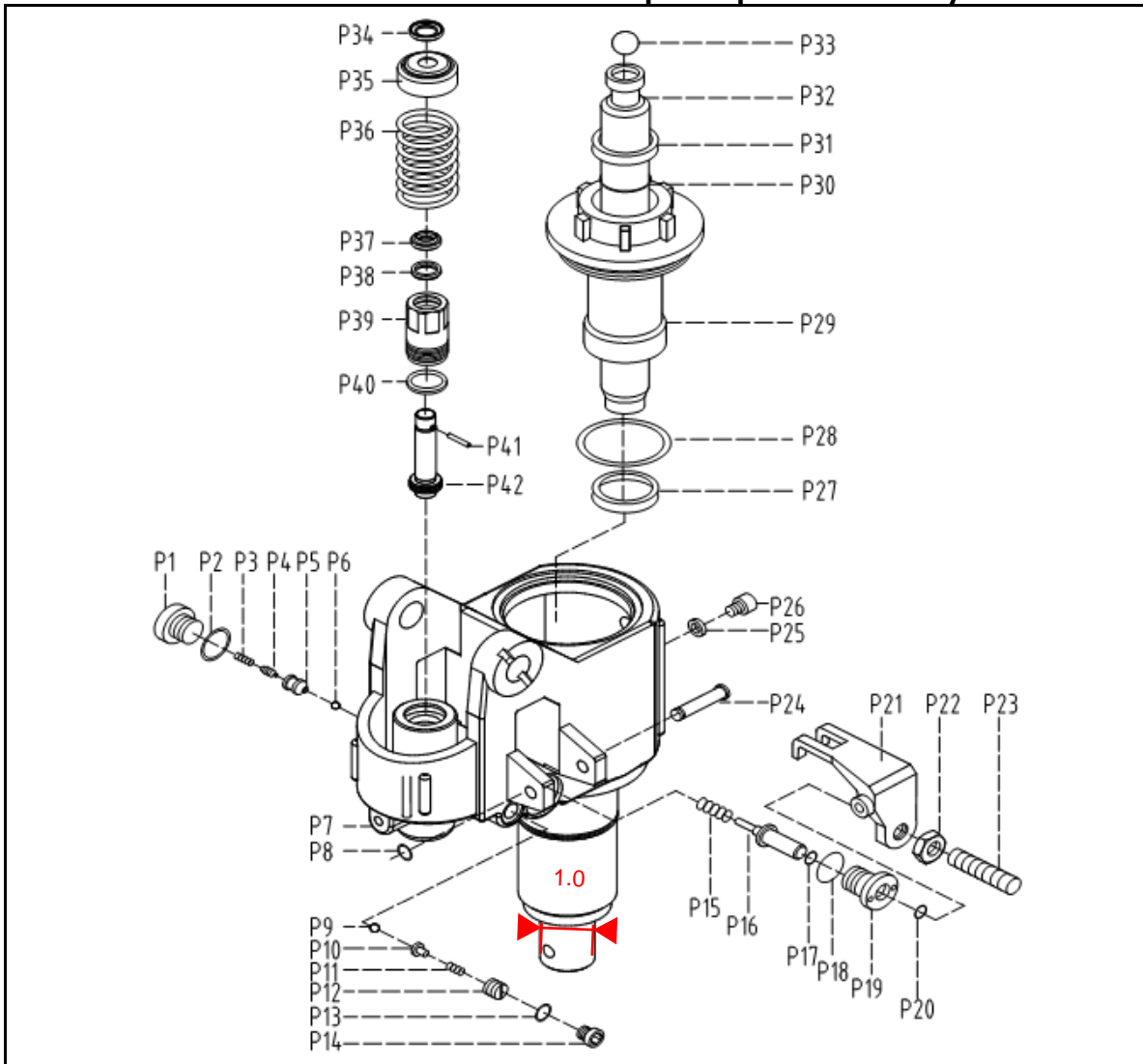


## 273289 - CBD10A3 Oil pump assembly1



No.	Drawing no.	Name	Qty.	No.	Drawing no.	Name	Qty.
P1	JF.1-17	Sealing screw M20X1	1	P15	DF I .2-12	Spring 1.2X9X20	1
P2	JB982-77	Combined washer 20	1	P16	AF.02-7	Striker	1
P3	AF.2-9	Cone spring	1	P17	GB3452.1-82	O-ring 7X1.8	1
P4	SYBC.2-07	Valve core	1	P18	JB982-77	Combined washer 20	1
P5	SYBC.2-08	Valve body	1	P19	AF.2-06a	Striker seat	1
P6	GB308-77	Steel ball 6.35	1	P20	GB3452.1-82	O-ring 8X2.65	1
P7	CBD10A2.3.1-00	Base frame No. 7	1	P21	AF.2-08	Lever panel	1
P8	GB894.1-86	Axial stop 8	1	P22	GB6170-86	Hex nut M6	1
P9	GB308-77	Steel ball 5	1	P23	GB73-85	Fastening screw M6X25	1
P10	CN.2-26	Ball seat	1	P24	BF.2-3	Pin axis 8X58	1
P11	CN.2-27	Spring 2X8X16	1	P25	JB982-77	Combined gasket 10	1
P12	CN.2-28	Pressure regulating screw M10X1	1	P26	CN.2-17	Screw plug M10X1	1
P13	JB982-77	Combined washer 10	1	P27	UN31.5	Oil seal 31.5X41.5X6	1
P14	CN.2-17	Screw plug M10X1	1	P28	GB3452.1-82	O-ring 65X2.65	1

## 273289 - CBD10A3 Oil pump assembly2



No.	Drawing no.	Name	Qty.	No.	Drawing no.	Name	Qty.
P29	BF.2-2	Guide bar sleeve $\phi$ 31.5	1	P36	CN.2-03	Large spring 5.5X48X100	1
P30	GB3452.1-82	O-ring 31.5X3.55	1	P37	DH18	Dust proof ring 18	1
P31	DH31.5	Dust proof washer 31.5	1	P38	UN18A	Oil seal 18X26X5	1
P32	AF.2-04	Plunger 31.5X263	1	P39	AM.2.3-07	Dual speed pump cylinder	1
P33	GB308-77	Steel ball 3/4"	1	P40	AM.2-07	Copper washer	1
P34	AM.2.3-02	Bowl gasket	1	P41	GB119-86	Cylindrical pin 4X25	1
P35	KC.2-05	Large spring cap	1	P42	AM.2.3B.1-00	Dual speed pump internal assembly	1