

### HYDRAULIC DIE LIFT TABLE

Features:

- Two swivel locking casters – 5" x 1-1/2".
- Hydraulic foot pump.
- Removable handle – may also be reversed for confined areas.
- Variable lowering speed.

P/N 272265

Capacity: 2,000 lbs  
 Table Size: 24" x 36"  
 Table Thickness: .2"  
 Raised Height: 36"  
 Lowered Height: 24.25"  
 Caster Size: 5" x 1.5"  
 Weight: 265 lbs  
 Overall Width: 24"  
 Overall Height: 36.75"  
 Overall Depth: 49.5"

### REPLACEMENT PARTS LIST

KIT	ITEM	PART NO.	DESCRIPTION	QTY.
A	KIT	273281	KIT: PEDAL	1
	40		CUSHION	1
	41		PEDAL	1
	42		BEARING	2
	43		WHEEL	1
	44		AXLE	2
B	KIT	273282	KIT: FLOOR LOCK	1
	24		BRIDGE	1
	25		SCREW M8x6	2
	26		DISTANCE RING	2
	27		BRAKE ROD	1
	28		BOLT M6 x 40	2
	29		WASHER 6	2
	30		NUT M6	2
	31		BLOCK AND ENCLOSE 8	4
	32		PIVOT	2
	33		CONNECTING ROD	2
	34		NUT M6	2
	35		REGULATE BOLT	2
	36		BODY	2
	37		SPRING	2
	38		CORE POLE	1
	39		CUSHION	2
C		273266	PUMP	1

NOTE: ITEMS 45 THRU 100 NOT OFFERED, MUST PURCHASE KIT G COMPLETE PUMP.

THIS DRAWING IN ALL PARTICULARS IS WESCO INDUSTRIAL PRODUCTS INC. PROPERTY. ALL RIGHTS OF DESIGN, INVENTION OR USE OF ARE RESERVED.

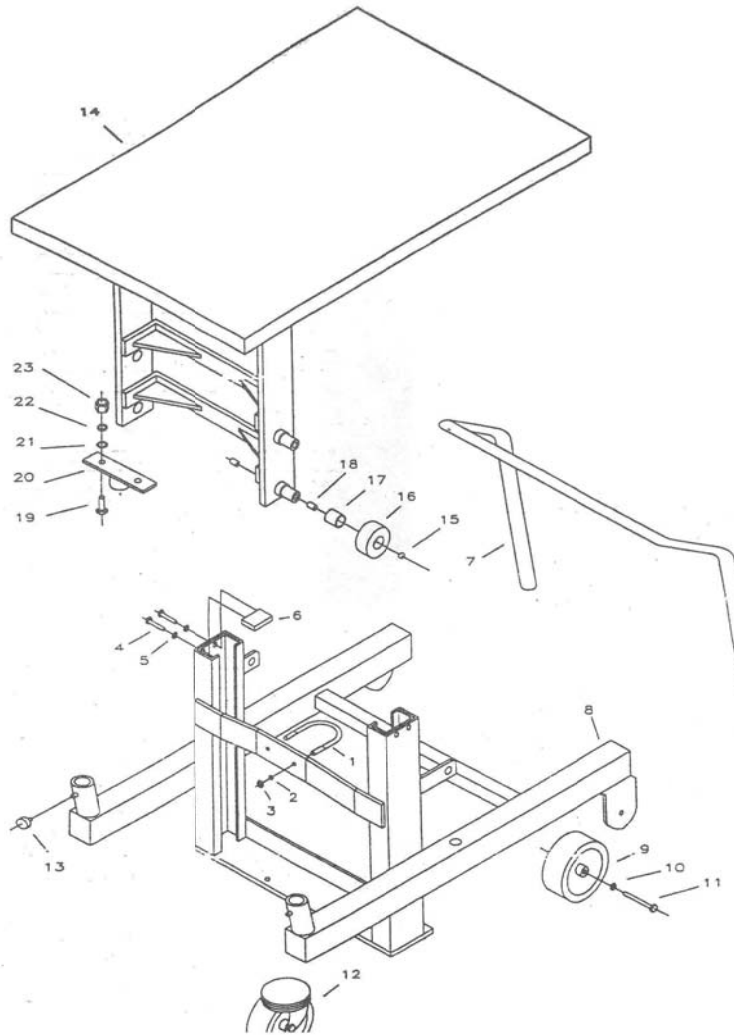
**WESCO INDUSTRIAL PRODUCTS INC.**  
 NORTH WALES PENNA. 19454

PART NAME  
 Hydraulic Die Lift Table  
 DT-2436

TOLERANCE UNLESS OTHERWISE SPECIFIED		
FRACTION	3 PLACE DECIMAL	2 PLACE DECIMAL
± 1/64	± .005	± .01
ANGULAR ± 1-1/2°	SHEET 1 OF 2	

BREAK ALL SHARP EDGES AND REMOVE ALL BURRS

DRAWN:  
 CHECKED:  
 APP. ENGR.  
 SCALE:  
**B- 273265** REV



REPLACEMENT PARTS LIST

KIT	ITEM	PART NO.	DESCRIPTION	QTY.
D	KIT	273283	KIT: HANDLE	1
	7		HANDLEBAR	1
	13		BOLT	2
E	KIT	273284	KIT: ROLLER	1
	15		STEEL BALL #12	4
	16		GYRO WHEEL	4
	17		BUSH	4
	18		SCREW M12 x 16	8
F	KIT	273285	KIT: HARDWARE	1
	1		"U" BOLT	1
	2		WASHER M8	2
	3		NUT M8	2
	4		BOLT M8 x 35	4
	5		WASHER 8	2
	6		RESTRICT BAR	8
	19		BOLT	2
	20		CARRY SEAT	1
	21		WASHER 10	2
	22		SPRING WASHER 10	2
	23		NUT M10	2
G	KIT	273267	KIT: FRONT WHEEL	2
	9		FRONT WHEEL	1
	10		WASHER12	1
	11		BOLT M12x80	1
	12	273268	REAR CASTER (NOBLELIFT)	2
		273247	REAR CASTER (I-LIFT)	
	8	NOT OFFERED	FRAME	1
	14	NOT OFFERED	TABLE	1

\* ITEM 12 NOBLELIFT CASTER FOR NOBLELIFT UNITS MANUFACTURED BEFORE 9/2011. I-LIFT CASTER FOR I-LIFT UNITS MANUFACTURED AFTER 9/2011.

THIS DRAWING IN ALL PARTICULARS IS WESCO INDUSTRIAL PRODUCTS INC. PROPERTY. ALL RIGHTS OF DESIGN, INVENTION OR USE OF ARE RESERVED.

REV.	REVISIONS	APP		<p><b>WESCO INDUSTRIAL PRODUCTS INC.</b> NORTH WALES PENNA. 19454</p>	
		EON & DATE			
		PART NAME		DRAWN:	
		Hydraulic Die Lift Table DT-2436		CHECKED:	
TOLERANCE UNLESS OTHERWISE SPECIFIED		APP. ENGR.			
FRACTION 3 PLACE DECIMAL 2 PLACE DECIMAL		SCALE:			
± 1/64 ± .005 ± .01		B- 273265			
ANGULAR ± 1-1/2° SHEET 1 OF 2		REV			
BREAK ALL SHARP EDGES AND REMOVE ALL BURRS					