



Instruction Manual

Long Deck Scissors Lift Tables

Part Number: 273261



Note: Operator MUST read and understand these operating instructions before using this Truck.

TABLE OF CONTENTS

1	General Information	2
1.1	Description.....	2
1.2	Specifications.....	2
2	Safety Information.....	2
3	Daily Inspection	3
4	Operation.....	3
4.1	Braking.....	3
4.2	Lifting.....	3
4.3	Lowering.....	3
5	Maintenance.....	3
6	Part Information.....	4
6.1	Frame Part Diagram.....	4
6.2	Frame Part List.....	5
6.3	Pump Part Diagram.....	6
6.4	Pump Part List.....	7

ATTENTION: TO INSURE SAFE AND EASY USE OF YOUR WESCO SCISSOR LIFT TABLE, READ THESE INSTRUCTIONS ENTIRELY BEFORE USING.

1. GENERAL INFORMATION

1.1 DESCRIPTION

Thank you for purchasing a Wesco Long Deck Scissors Lift Table. This table is designed for horizontal lifting and transportation of loads on a level, fixed base. For safe operation of this unit, please carefully read these instructions before use and keep it on file for reference.

1.2 SPECIFICATIONS

Part Number	273261
Model Number	LDT-3263
Capacity	1100 lbs
Table Size	32" x 63"
Raised Height	36"
Lowered Height	11.25"
Caster Size	5" x 1.5"
Weight	340 lbs

Materials and specifications are subject to change without notice.

2. SAFETY INFORMATION

- 1) Read these instructions carefully before operation and get to know the performance and operation requirements of the lift table.
- 2) Do not overload the hydraulic lift table. Overloading will cause damage to the hydraulic lift table.
- 3) It is forbidden for operators to stand or sit on the table during operation.
- 4) Do not insert hands or feet under the lowering table.
- 5) Brake the table when loading goods to prevent it from moving.
- 6) Off-set loading is forbidden when loading goods, goods should be distributed uniformly over the table.
- 7) Loose or unstable goods are not permitted to be loaded.
- 8) The table can't be moved when goods are being lifted.
- 9) The table can only be moved on flat and hard ground, do not use on sloped or rugged ground;
- 10) When putting goods on the table which has been hoisted, the weight of goods should be within rated load.
Note: The safety valve only works in the hoisting process, if the table has been hoisted, and then has overweight load on it, the safety valve will not work (also possibly damaging the unit).
- 11) When loading and unloading goods on hoisted table, don't drag goods in cross direction, which may cause serious off-set loading and make the table turn over.
- 12) When maintaining and repairing the table, the stand bar should be used to support fork arm in order to prevent table from falling (there should be no load on the table).

ATTENTION: TO INSURE SAFE AND EASY USE OF YOUR WESCO SCISSOR LIFT TABLE, READ THESE INSTRUCTIONS ENTIRELY BEFORE USING.

3. DAILY INSPECTION

Daily inspection is an effective method to find any malfunctions or faults on the lift table. Check lift table on the following points before operation.

- 1) Check for scratches, bending or cracking on the lift table.
- 2) Check for any oil leakage from the cylinder.
- 3) Check the vertical creep of the table.
- 4) Check for smooth movement of the wheels.
- 5) Check the function of brake.
- 6) Check to make sure all the bolts and nuts are tightened firmly.

4. OPERATION

4.1 Braking

CAUTION: Lift the brake when not moving it in order to prevent sudden movement.

The brake is equipped with the swivel caster on the right side.

- 1) Brake the wheel by pressing the brake pedal.
- 2) Release the brake by lifting up the brake pedal.

4.2 Lifting

Warning

- 1) Do not overload lift table. Stay within its rated capacity.
- 2) Do not side or end. Load must be distributed on at least 80% of table area.

Press the lifting pedal several times until the table reaches the desired position. The table does not elevate after reaching the highest position even if the lifting pedal is pressed. The table lowers slightly after reaching the highest position.

Model	LDT-3263L
Part Number	273261
Max Capacity (lbs)	1100

Note: The hydraulic cylinder is designed to hold the table. The nature of hydraulic systems cause the table to lower very slowly over an extended period of time. Please note the table does not stay at the same position indefinitely.

4.3 Lowering

Warning: Do not put foot or hand in scissors mechanism

- 1) Rotating the knob lowers the table.

5. MAINTENANCE

5.1 Lubricate each point described below every month

5.2 Change hydraulic oil every 12 months.

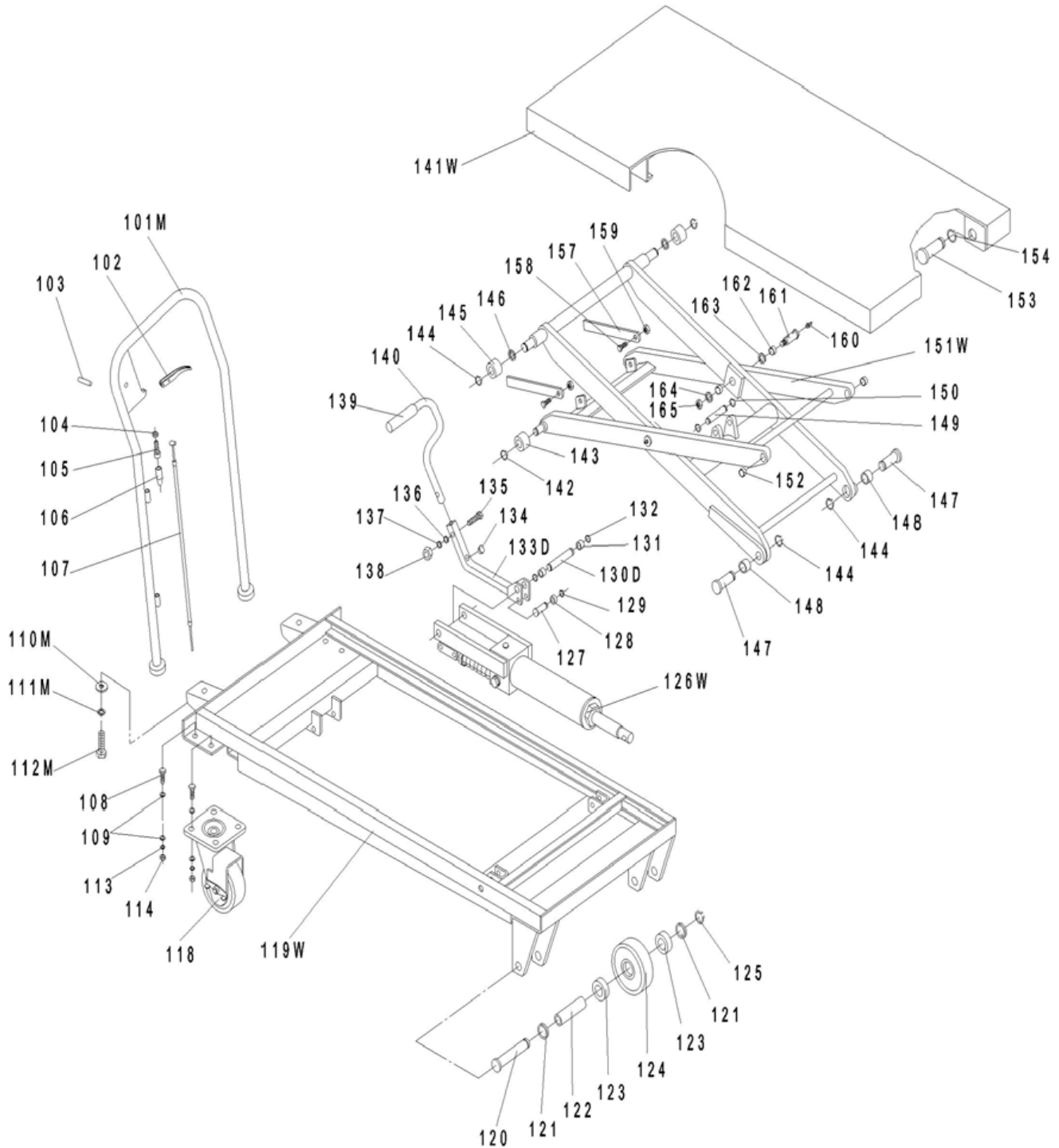
Lubricating Points

- 1) Fitting of Cylinder – Oil
- 2) Roller Friction Surface – Grease
- 3) Link Pin – Oil
- 4) Pedal Fitting Point – Oil
- 5) Grease Nipple - Grease

ATTENTION: TO INSURE SAFE AND EASY USE OF YOUR WESCO SCISSOR LIFT TABLE, READ THESE INSTRUCTIONS ENTIRELY BEFORE USING.

7. PART INFORMATION

7.1 FRAME DIAGRAM



ATTENTION: TO INSURE SAFE AND EASY USE OF YOUR WESCO SCISSOR LIFT TABLE, READ THESE INSTRUCTIONS ENTIRELY BEFORE USING.

7. PART INFORMATION

7.2 FRAME PARTS LIST

Kit	Item	P/N	Description	Qty.
	101M	273274	Handle Grip	1
A	102		Control Handle	1
A	103		Elastic Pin	1
A	104		Nut	1
A	105		Bolt with Hole	1
A	106		Jacket	1
A	107		Pull Rod	1
D	108		Bolt	8
D	109		Washer	16
A, D	110M		Big Washer	2
A, D	111M		Elastic Washer	2
A, D	112M		Bolt	2
D	113		Elastic Washer	8
D	114		Nut	8
	118	273263	Universal Wheel	2
	119W		Frame	1
E	120		Pin	2
E	121		Washer	4
E	122		Axle	2
E	123		Bearing	4
	124	273262	Wheel	2
E	125		Retaining Ring	2
	126W	273264	Pump Unit	1
	127		Pin	1
B	128		Washer	1
B	129		Retaining Ring	2
B	130D		Pin	1
B	131		Washer	2
B	132		Retaining Ring	2
B	133D		Connecting Rod	1

Kit	No.	P/N	Description	Qty.
B	134		Cushion	1
B	135		Bolt	1
B	136		Washer	1
B	137		Elastic Washer	1
B	138		Nut	1
B	139		Protecting Cover	1
B	140		Pedal Bar	1
	141W		Table	1
C	142		Retaining Ring	2
C	143		Roller	2
C	144		Retaining Ring	4
C	145		Roller	2
C	146		Washer	2
	147		Pin	2
	148		Bushing	2
	149		Pin	1
	150		Retaining Ring	2
	151W		Fork Arm	1
	152		Bushing	2
D	153		Pin	2
D	154		Retaining Ring	2
	157		Support Plank	2
D	158		Screw	2
D	159		Nut	2
	160		Oil Holder	2
	161		Shaft	2
	162		Bushing	4
	163		Washer	2
	164		Washer	2
	165		Nut	2

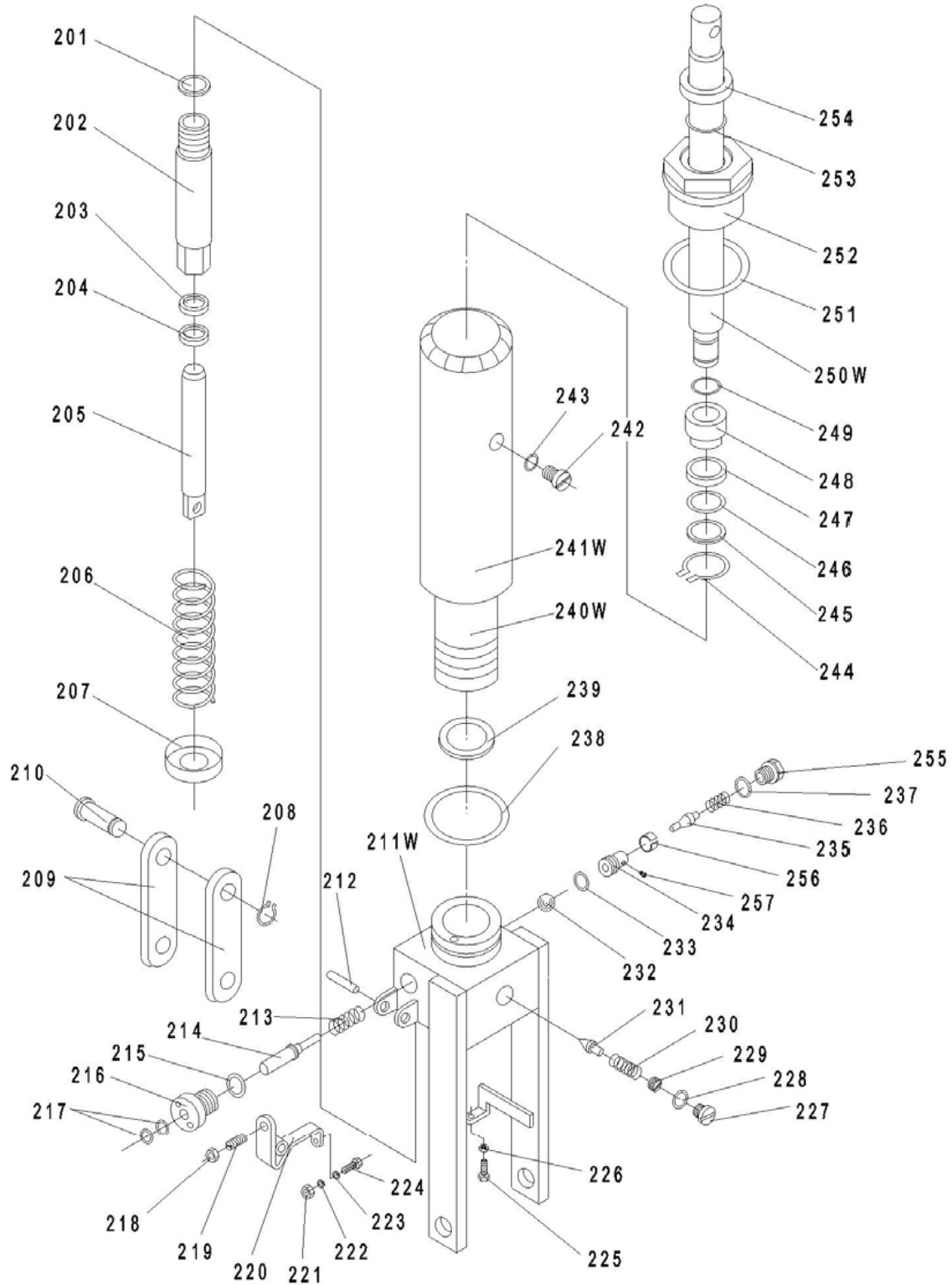
Part Kits Offered

Kit	P/N	Description	Qty
A	273275	Kit: Control Handle (Kit Includes Items 102, 103, 104, 105, 106, 107, 110M, 111M & 112M)	1
B	273276	Kit: Pedal Bar (Kit Includes Items 128, 129, 130D, 131, 132, 133D, 134, 135, 136, 137, 138, 139 & 140)	1
C	273277	Kit: Roller (Kit Includes Items 142, 143, 144, 145 & 146)	1
D	273278	Kit: Hardware (Kit includes Items 108, 109, 110M, 111M, 112M, 113, 114, 153, 154, 158 & 159)	1
E	273280	Kit: Front Wheel Hardware (Kit Includes Items 120, 121, 122, 123 & 125)	2

ATTENTION: TO INSURE SAFE AND EASY USE OF YOUR WESCO SCISSOR LIFT TABLE, READ THESE INSTRUCTIONS ENTIRELY BEFORE USING.

7. PART INFORMATION

7.3 PUMP DIAGRAM



ATTENTION: TO INSURE SAFE AND EASY USE OF YOUR WESCO SCISSOR LIFT TABLE, READ THESE INSTRUCTIONS ENTIRELY BEFORE USING.

7. PART INFORMATION

7.4 PUMP PARTS LIST

Item	P/N	Description	Qty.
201		Seal Washer	1
202		Pump Cylinder	1
203		Y-Seal	1
204		Dust Ring	1
205		Pump Piston	1
206		Spring	1
207		Spring Cap	1
208		Retaining Ring	1
209		Joint Plate	2
210		Pin	1
211		Pump Body	1
212		Elastic Pin	1
213		Spring	1
214		Strike Pin	1
215		Seal Washer	1
216		Axle Sleeve	1
217		O-Ring	2
218		Nut	1
219		Screw	1
220		Lever Plate	1
221		Nut	1
222		Elastic Washer	1
223		Washer	1
224		Bolt with Hole	1
225		Bolt with Hole	1
226		Nut	1
227		Plug	1
228		O-Ring	1
229		Adjusting Bolt	1

Item	P/N	Description	Qty.
230		Spring	1
231		Spindle of Safety Valve	1
232		Steel Ball	1
233		O-Ring	1
234		Seat of Pumping Valve	1
235		Spindle of Pumping Valve	1
236		Spring	1
237		Seal Washer	1
238		O-Ring	1
239		Seal Washer	1
240		Cylinder	1
241		Housing	1
242		Bolt	1
243		Seal Washer	1
244		Retaining Ring	1
245		Washer	1
246		O-Ring	1
247		Cup Packing	1
248		Piston	1
249		O-Ring	1
250		Piston Rod	1
251		Seal Washer	1
252		Cylinder Cap	1
253		O-Ring	1
254		Dust Ring	1
255		Plug	1
256		Liquid Throttle Sheath	1
257		Bolt	1