

\*See Page 3 for different charging plug details

P/N 272938

NEW DISPLAY EFFECTIVE MAY 2007

Wheel: Polyurethane  
 Fork: 22" x 47.5"  
 Weight: 307 lbs  
 Capacity: 5,500 lbs

Lowered fork height: 2.9"  
 Raised fork height: 8"

38	270395	247-7	DISPLAY UNIT	1
39	272850	247-8	BOLT	2
40	272851	247-9	CHARGING PLUG FOR IND221	1
	273167		CHARGING PLUG FOR IND231	1
41	272849		BATTERY (FOR UNITS AFTER 05/2007)	1
	270793	247-10	BATTERY: RECHARGEABLE (FOR UNITS AFTER 03/2015)	1
42	272852	247-11	PLUG	1
43	270210	246B	BOX OF CABLE	1
44	270212	245B	NUT	2
45	270215	244B	BOLT	2
46			NOT USED	

JACK PARTS LIST				
50	270032	301	SPRING CAB	1
51	270033	302	SPRING	1
52	270035	303	PUMP PISTON	1
53	272865	306	DUST COVER (YELLOW)	2
	272793		DUST COVER (BLACK)	2
54	270036	307	SPRING WASHER	2
55	270037	308	WASHER	1
56	272325	309	BEARING	4
57	272663	310	POLY STEERING WHEEL	2
58	270038	311	ELASTIC PIN	1
59	270041	312	ELASTIC PIN	2
60	270043	313	THRUST PLATE	1
61	270044	314	RETAINING RING	1
62	272100	315	THRUST PLATE	1
63	270045	316	SHAFT	1
64	270050		KIT: LEVER PLATE	1
		317	NUT	1
		318	SCREW	1
		319	LEVER PLATE	1
65	270053	320	ELASTIC PIN	1
66	272864	321	VALVE CARTRIDGE	1
67	270057		KIT: SCREW/WASHER	1
		323	SEAL WASHER	1
		324	SCREW PLUG	1
		328	PISTON ROD	1
68	270058	328	PISTON ROD	1
69	270059	329	STEEL BALL	1
70	270081		KIT: SEAL	1
		304	DUST RING	1
		305	SEAL	1
		323	SEAL WASHER	1
		325	SEAL	1
		326	O-RING	1
		327	DUST RING	1
		331	O-RING	1
56	272661		REPLACEMENT PUMP	1
71	276011	337	BEARING COVER	1

HANDLE PARTS LIST (Type "A")

1	270060		ASSY: HANDLE RELEASE	1
		101	RELEASE ROD	1
		102	CHAIN	1
		103	ADJUSTING BOLT	1
		104	ADJUSTING NUT	1
2	270004		KIT: AXLE PIN	1
		105	AXLE WITH HOLE	1
		106	ELASTIC PIN	2
3	273008	107	BUSHING	2
4	270005		KIT: PRESSURE ROLLER	1
		108	ROLLER PIN	1
		109	PRESSURE ROLLER	1
		109A	BUSHING	1
5	270007		KIT: HANDLE ASSEMBLY	1
		101	RELEASE ROD	1
		102	CHAIN	1
		103	ADJUSTING BOLT	1
		104	ADJUSTING NUT	1
	273008	107	BUSHING	2
		108	ROLLER PIN	1
		109	PRESSURE ROLLER	1
		109A	BUSHING	1
		110	DRAW BAR	1
		111	STOP RUBBER	1
		112	ELASTIC PIN	1
		113	BLADE SPRING	1
		114	SPRING	1
		115	ELASTIC PIN	1
		116	ELASTIC PIN	1
		117	CONTROL HANDLE	1
		118	ROLLER	1
		119	ELASTIC PIN	1
6	272791		KIT: CONTROL HANDLE	1
		117	CONTROL HANDLE	1
		118	ROLLER	1
		119	ELASTIC PIN	1

FORK FRAME PARTS LIST

10	270151	202	ELASTIC PIN	1
11	270159	237	OIL-HOLDER	1
12	270160	203B	ROCK-ARM	1
13	270164	230	ELASTIC PIN	9
14	270172	208	RETAINING RING	4
15	270174	209B	JOINT	2
16	270178	205	SHAFT	2
17	270179	212B	PUSHING ROD	2
18	270180	211B	NUT	2
19	270181	210B	PIN	2
20	270182	214B	LONG SHAFT	1
21	270183	221B	SHAFT	2
22	270184	220	ELASTIC PIN	2
23	270185	216B	SHAFT	2
24	270186	222B	FRAME OF ROLLER	2
25	270187	219	ELASTIC PIN	2
26	270189	223	SHAFT OF ROLLER	4
27	270190	201B	FORK FRAME	1
28	270191	225	WASHER	8
29	270193	226	BEARING	8
30	270194	227B	ROLLER	4
31	270195	224B	LINKING PLATE	4
32	270197	250B	PLATFORM	1
33	270198	251B	BOLT	2
34	270199	240B	LOAD CELL	4
35	270200		KIT: PIN/O-RING	1
		241B	PIN	4
		242B	O-RING	8
36	270202	243B	BOLT	8
37			NOT USED	

SCALE PALLET JACK

- Weighting accuracy ±4.4 lbs., or 2 kg
- LCD display scale.
- Mettler-Toledo Hawk scale/sensor.
- UL approved scale operates on six D cell batteries or AC.
- Charge rechargeable type "D" size batteries without removing from display.
- Three position hand control.
- 205° turning radius.
- 2 year pump warranty.
- 7" wide forks.
- 7" moldon polyurethane steering wheels.
- 3" moldon polyurethane oad wheels.

NOT FOR LEGAL TRADE

PRINT ISSUED

OCT. 31, 2007

WESCO MANUFACTURING  
 ENGINEERING DEPARTMENT

WESCO INDUSTRIAL PRODUCTS INC.  
 NORTH WALES PENNA. 19454

REV. DATE: 08-22 SCALE PALLET TRUCK NEW DISPLAY EFFECTIVE MAY 2007

ISSUED: RDS 10-31-07

SCALE: 1" = 1/2" 1 SHEET OF 3

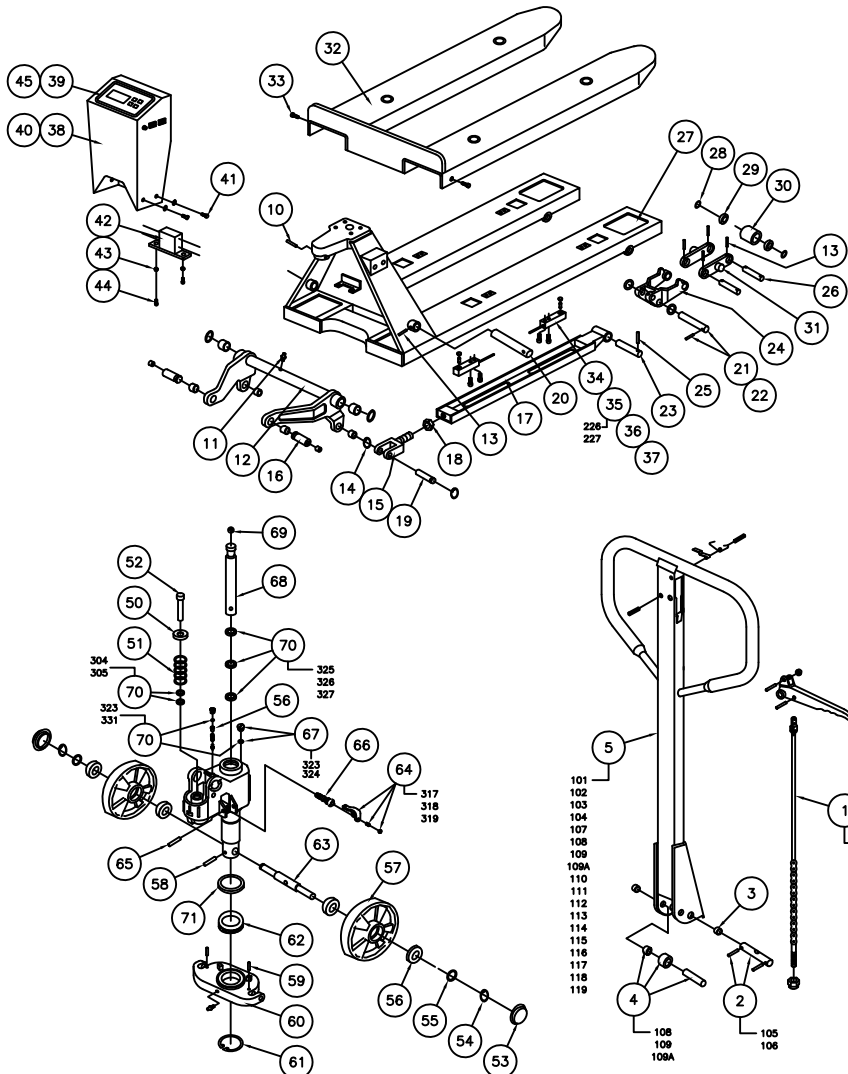
WESCO INDUSTRIAL PRODUCTS INC. D-272938

P/N 272938

OLD DISPLAY  
USED TILL MAY 2007

Wheel: Polyurethane  
Fork: 22" x 47.5"  
Weight: 300 lbs  
Capacity: 5,500 lbs

Lowered fork height: 2.9"  
Raised fork height: 8"



38	270205	230	DISPLAY UNIT	1
39	270206	231	COVER BOARD	1
40	270207	232	FIXATION BOX	1
41	270209	233	BOLT	4
42	270210	234	BOX OF CABLE	1
43	270212	235	NUT	2
44	270215	236	SCREW	2
45	270216	237	BOLT	4
46	270224		MOTHERBOARD OF DISPLAY	1
	172180		BATTERY	1

JACK PARTS LIST

50	270032	301	SPRING CAB	1
51	270033	302	SPRING	1
52	270035	303	PUMP PISTON	1
53	272665	306	DUST COVER	2
54	270036	307	SPRING WASHER	2
55	270037	308	WASHER	1
56	272325	309	BEARING	4
57	272663	310	POLY STEERING WHEEL	2
58	270038	311	ELASTIC PIN	1
59	270041	312	ELASTIC PIN	2
60	270043	313	THRUST PLATE	1
61	270044	314	RETAINING RING	1
62	272100	315	THRUST PLATE	1
63	270045	316	SHAFT	1
64	270050		KIT: LEVER PLATE	1
		317	NUT	1
		318	SCREW	1
		319	LEVER PLATE	1
65	270053	320	ELASTIC PIN	1
66	272664	321	VALVE CARTRIDGE	1
67	270057		KIT: SCREW/WASHER	1
		323	SEAL WASHER	1
		324	SCREW PLUG	1
68	270058	328	PISTON ROD	1
69	270059	329	STEEL BALL	1
70	270081		KIT: SEAL	1
		304	DUST RING	1
		305	SEAL	1
		323	SEAL WASHER	1
		325	SEAL	1
		326	O-RING	1
		327	DUST RING	1
		331	O-RING	1
56	272661		REPLACEMENT PUMP	1
71	276011	337	BEARING COVER	1
	270277		AC ADAPTER	1

HANDLE PARTS LIST (Type "A")

1	270060		ASS'Y: HANDLE RELEASE	1
		101	RELEASE ROD	1
		102	CHAIN	1
		103	ADJUSTING BOLT	1
		104	ADJUSTING NUT	1
2	270004		KIT: AXLE/PIN	1
		105	AXLE WITH HOLE	1
		106	ELASTIC PIN	2
3	273008	107	BUSHING	2
4	270005		KIT: PRESSURE ROLLER	1
		108	ROLLER PIN	1
		109	PRESSURE ROLLER	1
		109A	BUSHING	1
5	270007		KIT: HANDLE ASSEMBLY	1
		101	RELEASE ROD	1
		102	CHAIN	1
		103	ADJUSTING BOLT	1
		104	ADJUSTING NUT	1
	273008	107	BUSHING	2
		108	ROLLER PIN	1
		109	PRESSURE ROLLER	1
		109A	BUSHING	1
		110	DRAW BAR	1
		111	STOP RUBBER	1
		112	ELASTIC PIN	1
		113	BLADE SPRING	1
		114	SPRING	1
		115	ELASTIC PIN	1
		116	ELASTIC PIN	1
		117	CONTROL HANDLE	1
		118	ROLLER	1
		119	ELASTIC PIN	1
6	272791		KIT: CONTROL HANDLE	1
		117	CONTROL HANDLE	1
		118	ROLLER	1
		119	ELASTIC PIN	1

FORK FRAME PARTS LIST

10	270151	201	ELASTIC PIN	1
11	270159	202	OIL-HOLDER	1
12	270160	203	ROCK-ARM	1
13	270164	204	ELASTIC PIN	4
14	270172	205	RETAINING RING	9
15	270174	206	JOINT	2
16	270178	207	SHAFT	2
17	270179	208	PUSHING ROD	2
18	270180	209	NUT	2
19	270181	210	PIN	2
20	270182	211	LONG SHAFT	1
21	270183	212	SHAFT	2
22	270184	213	ELASTIC PIN	2
23	270185	214	SHAFT	2
24	270186	215	FRAME OF ROLLER	2
25	270187	216	ELASTIC PIN	2
26	270189	217	SHAFT OF ROLLER	4
27	270190	218	FORK FRAME	1
28	270191	219	WASHER	8
29	270193	220	BEARING	8
30	270194	221	ROLLER	4
31	270195	222	LINKING PLATE	4
32	270197	223	PLATFORM	1
33	270198	224	BOLT	2
34	270199	225	LOAD CELL	4
35	270200		KIT: PIN/O-RING	1
		226	PIN	4
		227	O-RING	8
36	270202	228	BOLT	8
37	270204	229	SITE OF LOAD CELL	4

SCALE PALLET JACK

- Weighting accuracy ±.22 lbs., or 3.5 oz
- LCD display scale.
- Metter-Toledo Hawk scale/sensor.
- UL approved scale operates on six D cell batteries or AC.
- Charge rechargeable type "D" size batteries without removing from display.
- Three position hand control.
- 205° turning radius.
- 2 year pump warranty.
- 7" wide forks.
- 7" moldon polyurethane steering wheels.
- 3" moldon polyurethane oad wheels.

NOT FOR LEGAL TRADE

PRINT ISSUED

DEC 11, 2006

WESCO MANUFACTURING  
ENGINEERING DEPARTMENT

WESCO INDUSTRIAL PRODUCTS INC.  
NORTH WALES PENNA. 19454

REV# 22 SCALE PALLET TRUCK OLD DISPLAY USED TILL MAY 2007

FORM KL 11-22-06

DATE: 11/15/06

BY: [Signature]

SCALE: 1" = 1/2"

D-272938

# SCALE PALLET TRUCK CHARGER PLUGS

P/N: 272851

Charger for IND 221  
Display Units



P/N: 273167

Charger for IND 231  
Display Units



PRINT ISSUED

OCT. 31, 2007

WESCO MANUFACTURING  
ENGINEERING DEPARTMENT

WESCO INDUSTRIAL PRODUCTS INC.	
NORTH WALES	PENNA. 19454
PART NAME SCALE PALLET TRUCK NEW DISPLAY EFFECTIVE MAY 2007	DRAWN: RDS 10-31-07 CHECKED: APP. ENGR: BOLD:
REVISIONS	
DESCRIPTION	
QUANTITY	
SCALE	
ASSEMBLY	
DATE	
D-272938	