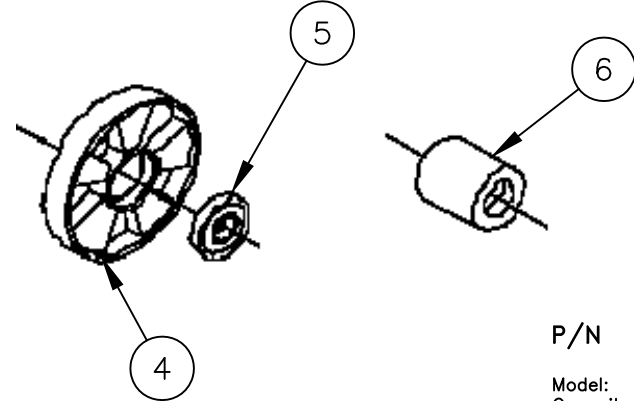
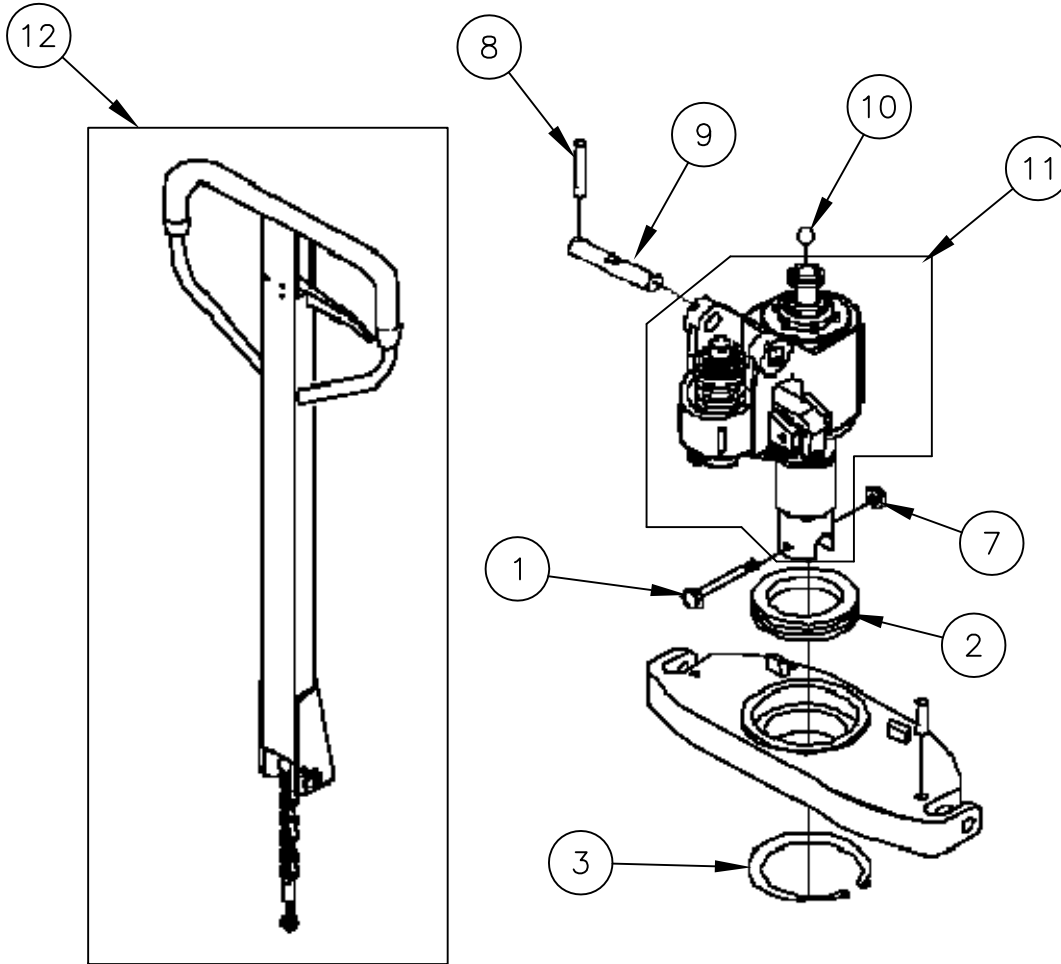


272855

****FOR UNITS BOUGHT AFTER 2016****
 (FOR UNITS BEFORE 2017 SEE PAGES 2-4)

REPLACEMENT PARTS LIST

ITEM	PART NO.	DESCRIPTION	MATERIAL	QTY.
1	273792	BOLT	ZINC PLATED	2
2	273794	PUMP BASE BEARING	ZINC PLATED	1
3	273795	RETAINING RING	ZINC PLATED	1
4	273784	STEERING WHEEL	NYLON	2
5	273796	WHEEL BEARING	ZINC PLATED	1
6	273786	LOAD WHEEL	NYLON	1
7	273793	NUT	ZINC PLATED	1
8	273799	SPRING PIN	ZINC PLATED	2
9	273779	HANDLE CONNECTING SHAFT	ZINC PLATED	1
10	273778	BALL	ZINC PLATED	1
11	273797	COMPLETE PUMP ASSEMBLY	GALVANIZED	1
12	273798	COMPLETE HANDLE ASSEMBLY	GALVANIZED	1



GALVANIZED PALLET TRUCK

- 1 year pump warranty.
- 7" nylon steering wheels.
- 3" nylon load wheels.
- Galvanized frame and handle.
- Nylon entry rollers.
- 210° steering

P/N 272855

Model: GPT
 Capacity: 5,500 lbs
 Overall Height: 48"
 Overall Length: 63"
 Overall Width: 27"
 Raised Height: 8"
 Lowered Height: 3"
 Fork Length: 48"
 Fork Width: 6.25"
 Steering Wheel Diameter: 7"
 Load Wheel Diameter: 3"
 Weight: 166 lbs

THIS DRAWING IN ALL PARTICULARS IS WESCO INDUSTRIAL PRODUCTS INC. PROPERTY. ALL RIGHTS OF DESIGN, INVENTION OR USE OF ARE RESERVED.

PRINT ISSUED

NOV-30-2016

WESCO MANUFACTURING
 ENGINEERING DEPARTMENT

APP
 ECN & DATE
 REV.

REVISIONS

WESCO INDUSTRIAL PRODUCTS INC.
 NORTH WALES PENNA. 19454

PART NAME
 STAINLESS STEEL PALLET TRUCK
 SPECIALITY PALLET TRUCK

DRAWN:
 CHECKED:
 APP. ENGR.
 SCALE:

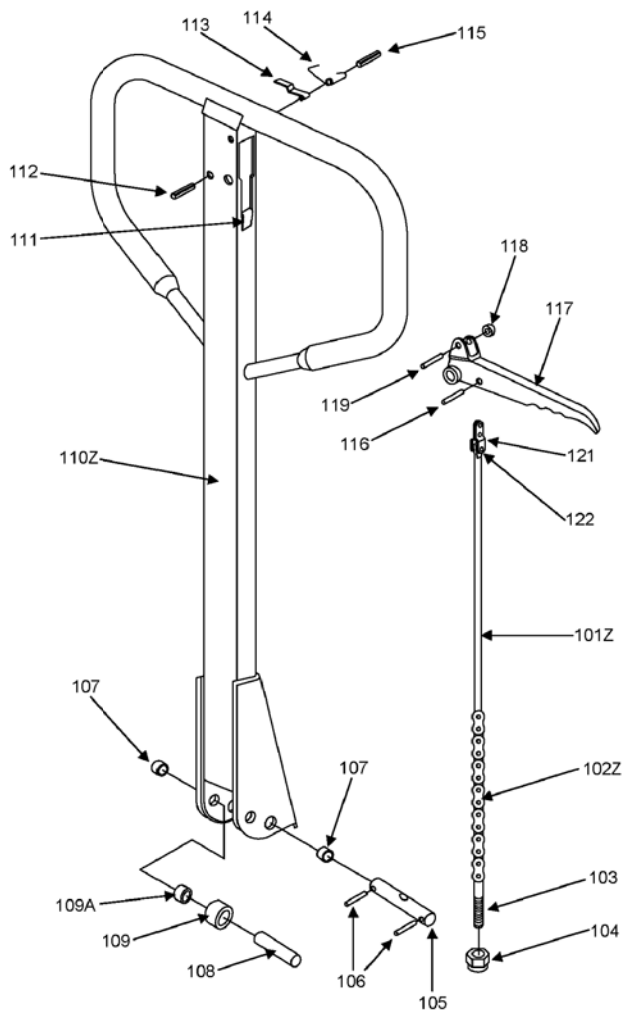
TOLERANCE UNLESS OTHERWISE SPECIFIED

FRACTION	3 PLACE DECIMAL	2 PLACE DECIMAL
± 1/64	± .005	± .01
ANGULAR ± 1-1/2°	SHEET 1 OF 1	

BREAK ALL SHARP EDGES AND REMOVE ALL BURRS

A-272855 REV A

****FOR UNITS BOUGHT BEFORE 2017****



GALVANIZED PALLET TRUCK

- 1 year pump warranty.
- 7" nylon steering wheels.
- 3" nylon load wheels.
- Galvanized frame and handle.
- Nylon entry rollers.
- 210° steering

P/N 272855

Model:	GPT
Capacity:	4,400 lbs
Overall Height:	48"
Overall Length:	63"
Overall Width:	27"
Fork Length:	48"
Fork Width:	6.25"
Steering Wheel Diameter:	7"
Load Wheel Diameter:	3"
Weight:	166 lbs

REPLACEMENT PARTS LIST

ITEM	P/N	DESCRIPTION	QTY
101Z	273689	RELEASE ROD	1
102Z	273690	CHAIN	1
103	273691	ADJUSTING BOLT	1
104	273692	ADJUSTING NUT	1
105		AXLE WITH HOLE	1
106		ELASTIC PIN	2
107		BUSHING	2
108		ROLLER PIN	1
109		PRESSURE ROLLER	1
109A		BUSHING	1
110Z		DRAW-BAR	1
111		STOP RUBBER	1
112		ELASTIC PIN	1
113	273695	BLADE SPRING	1
114	273696	SPRING	1
115		ELASTIC PIN	1
116		ELASTIC PIN	1
117	273697	CONTROL HANDLE	1
118	273698	ROLLER	1
119		ELASTIC PIN	1
120			
121	273693	PULL BOARD	1
122	273694	PIN	1
	273689	HANDLE RELEASE KIT (INCLUDES ITEMS 102Z, 103, 104, 121, 122)	1

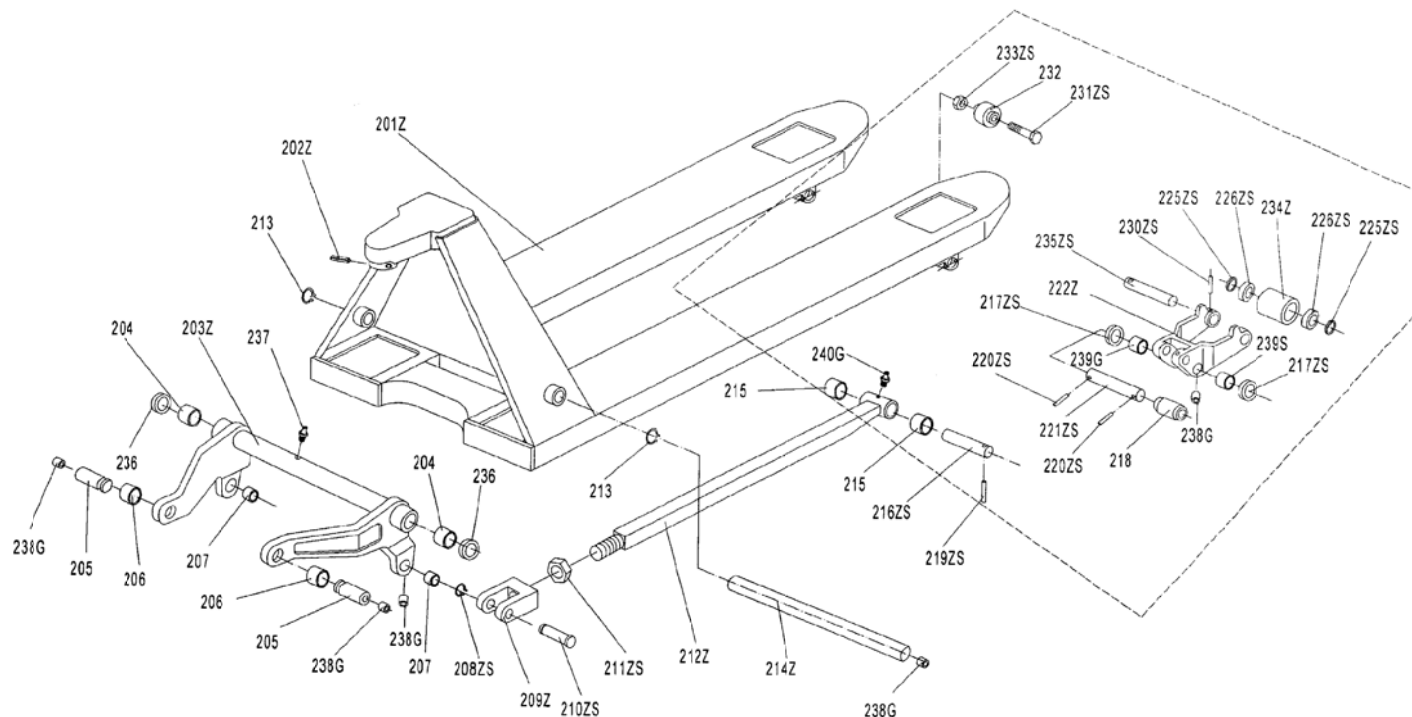
PRINT ISSUED

DEC 23, 2014

WESCO MANUFACTURING
ENGINEERING DEPARTMENT

APP REV EDN & DATE REVISIONS	WESCO INDUSTRIAL PRODUCTS INC. NORTH WALES PENNA. 19454	
	PART NAME GALVANIZED TRUCK SPECIALITY PALLET TRUCK	DRAWN: CHECKED: APP. ENGR.
	TOLERANCE UNLESS OTHERWISE SPECIFIED	
	FRACTION 3 PLACE DECIMAL 2 PLACE DECIMAL	SCALE:
	± 1/64 ± .005 ± .01	ANGULAR ± 1-1/2° SHEET 1 OF 3
	BREAK ALL SHARP EDGES AND REMOVE ALL BURRS	
	D-272855	REV

****FOR UNITS BOUGHT BEFORE 2017****



REPLACEMENT PARTS LIST

ITEM	P/N	DESCRIPTION	QTY
201Z		FORK FRAME	1
202Z		ELASTIC PIN	1
203Z		ROCK-ARM	1
204		BUSHING	2
205		SHAFT	2
206		BUSHING	2
207		BUSHING	2
208ZS		RETAINING RING	2
209Z		JOINT	2
210ZS		PIN	2
211ZS		NUT	2
212Z		PUSHING ROD	2
213		RETAINING RING	2
214Z		SHAFT	1
215		BUSHING	4
216ZS		SHAFT	2
217ZS		INTERMEDIATE ROLLER	4
218		EXTENDING ROLLER	2
219ZS		ELASTIC PIN	2
220ZS		ELASTIC PIN	4
221ZS		SHAFT	2
222Z		FRAME OF ROLLER	2
225ZS	273682	WASHER	4
226ZS	273681	BEARING	4
230ZS	273683	ELASTIC PIN	2
231ZS		BOLT	2
232	272327	ENTRY ROLLER	2
233ZS		LOCKING NUT	2
234Z	273680	LOADING WHEEL	2
235ZS	273684	SHAFT FOR WHEEL	2
236		WASHER	2
237		GREASE CUP	1
238G		GREASE CUP	8
239G		BUSHING	4
240G		GREASE CUP	2

PRINT ISSUED

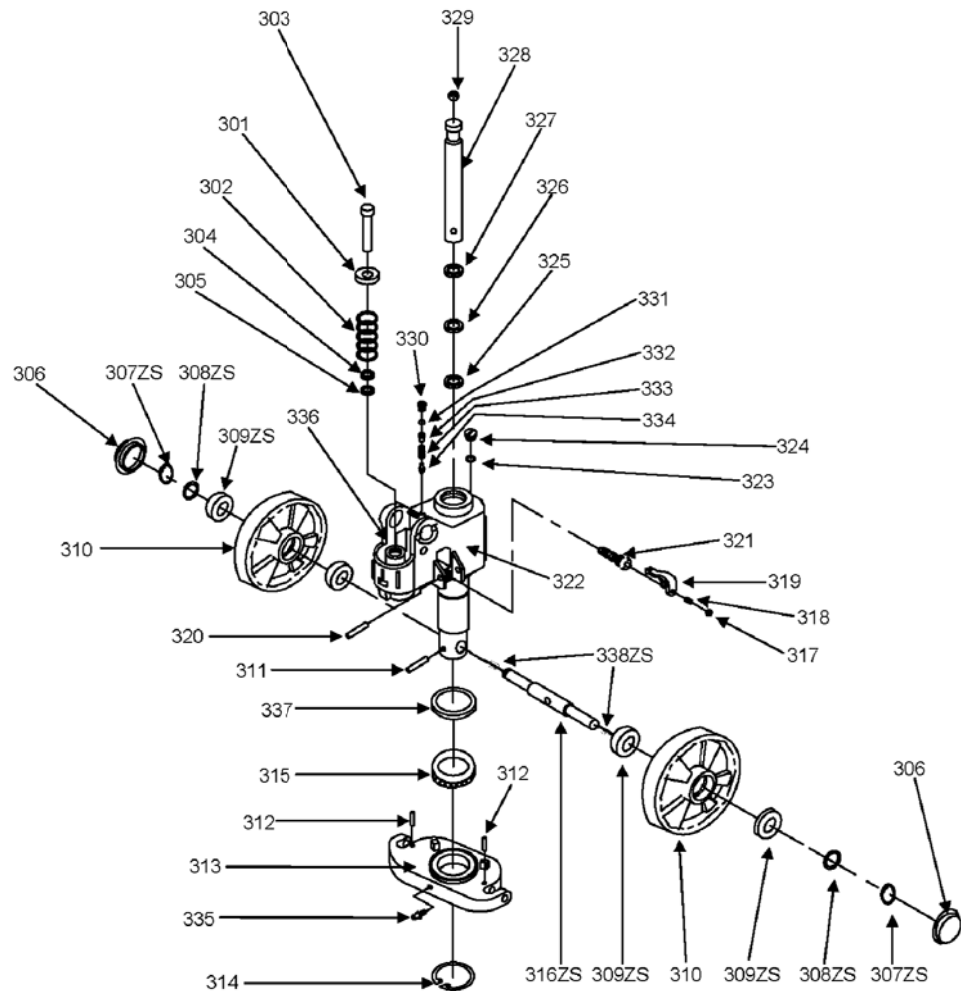
DEC 23, 2014

WESCO MANUFACTURING
ENGINEERING DEPARTMENT

WESCO INDUSTRIAL PRODUCTS INC.
NORTH WALES PENNA. 19454

REV	DATE	REVISIONS	PART NAME		DRAWING	
			SPECIALITY PALLET TRUCK		APP. ENGR.	
TOLERANCE UNLESS OTHERWISE SPECIFIED			FRACTION		SCALE:	
			3 PLACE DECIMAL	2 PLACE DECIMAL		
			± 1/64	± .005	SHEET 2 OF 3	
			ANGULAR ± 1-1/2°	D-272855		
			BREAK ALL SHARP EDGES AND REMOVE ALL BURRS			

****FOR UNITS BOUGHT BEFORE 2017****



REPLACEMENT PARTS LIST

ITEM	P/N	DESCRIPTION	QTY
	272133	REPLACEMENT PUMP	1
301		SPRING CAP	1
302		SPRING	1
303		PUMP PISTON	1
304		DUST RING	1
305		SEAL	1
306		DUST COVER	2
307ZS	273688	LOCKING RING	2
308ZS	273687	WASHER	2
309ZS	273686	BEARING	4
310	273685	STEERING WHEEL	2
311		ELASTIC PIN	1
312		ELASTIC PIN	2
313		THRUST PLATE	1
314		RETAINING RING	1
315		BEARING	1
316ZS	273689	SHAFT OF LOADING WHEEL	1
317		NUT	1
318		SCREW	1
319		LEVER PLATE	1
320		ELASTIC PIN	1
321		VALVE CARTRIDGE	1
322		PUMP BODY	1
323		SEAL WASHER	1
324		SCREW PLUG	1
325		SEAL	1
326		O-RING	1
327		DUST RING	1
328		PISTON ROD	1
329	270059	STEEL BALL	1
330		SCREW PLUG	1
331		O-RING	1
332		BOLT	1
333		SPRING	1
334		SPINDLE OF SAFETY VALVE	1
335		GREASE CUP	1
336		CYLINDER	1
337		COVER OF BEARING	1
338ZS		GREASE CUP	2

PRINT ISSUED

DEC 23, 2014

WESCO MANUFACTURING
ENGINEERING DEPARTMENT

WESCO INDUSTRIAL PRODUCTS INC.
NORTH WALES PENNA. 19454

REV	REVISIONS	PART NAME	DRAWN:
		GALVANIZED TRUCK	CHECKED:
		SPECIALITY PALLET TRUCK	APP. ENGR.
			SCALE:
TOLERANCE UNLESS OTHERWISE SPECIFIED		SHEET 3 OF 3	
FRACTION 3 PLACE DECIMAL 2 PLACE DECIMAL		D-272855	
± 1/64 ± 1-1/2		REV	
ANGULAR ± 1-1/2		BUSH ALL SHARP EDGES AND REMOVE ALL BURRS	