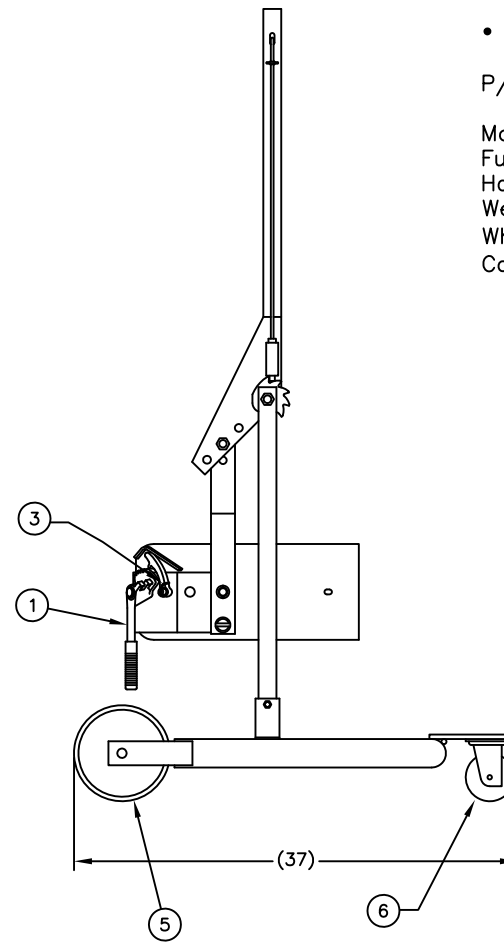
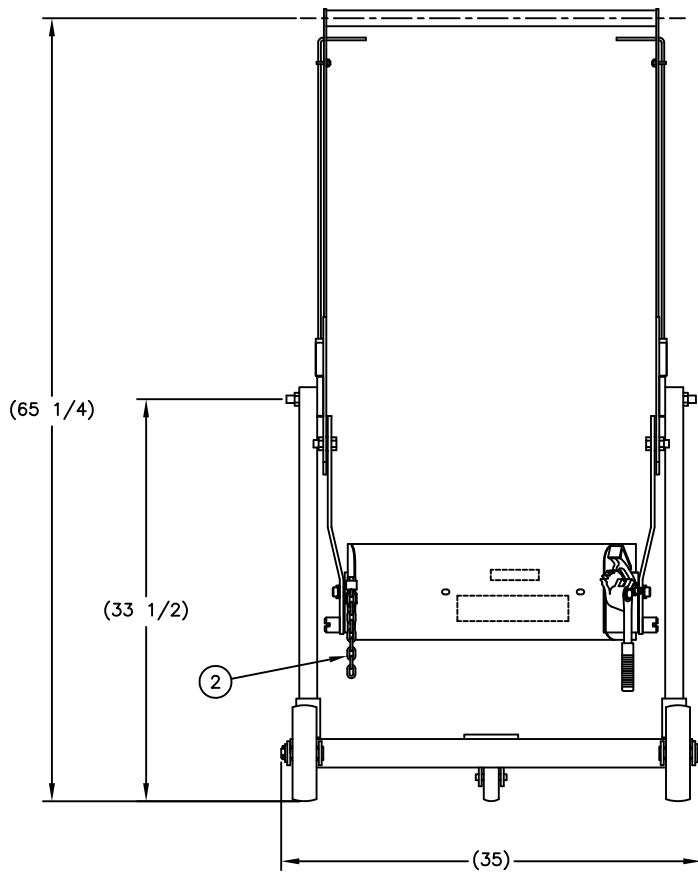


VALUE DRUM CARRIER AND DISPENSER

- Three height adjustments: 9.25", 10.625" and 12".
- Vertical and horizontal locking positions.

P/N 272404

Model: VDCD
 Full Drum Capacity: 800 lbs
 Half Drum Capacity: 500 lbs
 Weight: 105 lbs
 Wheel: 8" x 2" Poly.
 Caster: 4" x 1.25" Poly.



PAGE 1 OF 2

THIS DRAWING IN ALL PARTICULARS IS WESCO INDUSTRIAL PRODUCTS, LLC PROPERTY. ALL RIGHTS OF DESIGN, INVENTION OR USE OF ARE RESERVED.

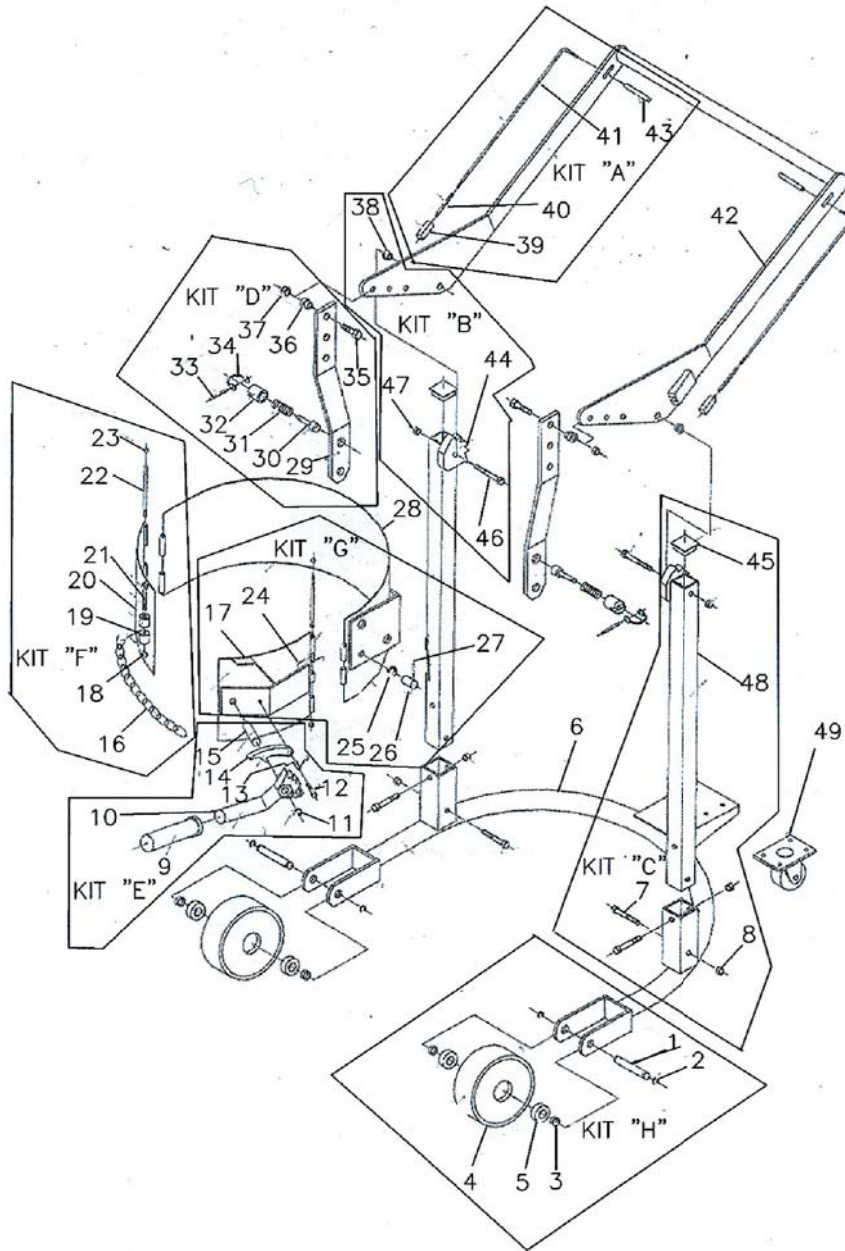
PRINT ISSUED

OCT 01, 2018

WESCO MANUFACTURING
ENGINEERING DEPARTMENT

REV.	12-04-12	W S	APP.
A	UPDATED		

WESCO INDUSTRIAL PRODUCTS, LLC		NORTH WALES		PENNA. 19454	
PART NAME			VDCD		
DRAWN:			RDS 10-13-05		
CHECKED:					
APP. ENGR.					
TOLERANCE UNLESS OTHERWISE SPECIFIED					
FRACTION		3 PLACE DECIMAL		2 PLACE DECIMAL	
± 1/64		± .005		± .01	
ANGULAR ± 1-1/2°		SHEET 1 OF 2		SCALE: 1:8	
BREAK ALL SHARP EDGES AND REMOVE ALL BURRS					
C-272404				REV	A



NON KIT ITEMS				KIT ASSEMBLIES				
ITEM	PART NO.	DESCRIPTION	QTY	KIT	PART NO.	KIT COMPONENTS		
						ITEM	DESCRIPTION	QTY.
6	170753	CHASSIS	1	A	170745			
28	170754	SUPPORTING HOOP	1			39	SLIDING BLOCK	1
42	170755	LIFTING ARM	1			40	SPRING	1
49	170756	BACK WHEEL	1			41	LEVER	1
	170757	HARDWARE KIT (INCLUDES ALL ITEMS WITH ASTERISK)	1			43	TAPPER PIPE	1
				B	170746			
						38	SEPARATE RING	1
						44	DENTATION CLAW 1 LH, 1 RH	
						46*	BOLT	1
						47*	LOCK NUT	1
				C	170747			
						7*	BOLT	2
						8*	LOCK NUT	2
						45	SQUARE PLUG	1
						48	MAST	1
				D	170748			
						29	HANGER PLATE	1
						30	SLIDING PIN	1
						31	SPRING	1
						32	SLIDING BUSH	1
						33	RETAINING RING	1
						34	EXTENSION RING	1
						35*	BOLT	1
						36	SEPARATE RING	1
						37*	BOLT	1
				E	170749			
						9	RUBBER BUSH	
						10	PAWL	1
						11	RETAINING RING	1
						12*	BOLT	1
						13	SPRING	1
						14	DENTATION CLIP	1
						15*	PIN	1
				F	170750			
						16	CHAIN	1
						18*	NUT	1
						19	HUB FOR CHAIN	1
						20	DOOR	1
						21*	BOLT	1
						22*	PIN	1
						23*	LOCK NUT	1
				G	170751			
						17	MOBILE HUB	1
						24	SPRING	1
						25*	WASHER	1
						26*	PIN	1
						27	RETAINING RING	1
						28	SUPPORTING HOOP	1
				H	170752			
						1*	PIN	1
						2	RETAINING RING	2
						3	SEPARATE RING	2
						4	FRONT WHEEL	1
						5	BEARING	2

PAGE 2 OF 2

THIS DRAWING IN ALL PARTICULARS IS WESCO INDUSTRIAL PRODUCTS, LLC. PROPERTY. ALL RIGHTS OF DESIGN, INVENTION OR USE OF ARE RESERVED.

PRINT ISSUED
OCT 01, 2018
WESCO MANUFACTURING
ENGINEERING DEPARTMENT

12-04-12
R W S
A
REV. ECH & DATE
REVISED

WESCO INDUSTRIAL PRODUCTS, LLC
NORTH WALES PENNA. 19454

PART NAME: VDCC
DRAWING: RDS 10-13-05

CHECKED:
APP. ENGR.

TOLERANCE UNLESS OTHERWISE SPECIFIED
FRACTION 3 PLACE DECIMAL 2 PLACE DECIMAL
± 1/64 ± .005 ± .01
ANGULAR ± 1-1/2° SHEET 1 OF 1

SCALE: 1:8
C-272404 REV A

BREAK ALL SHARP EDGES AND REMOVE ALL BURRS