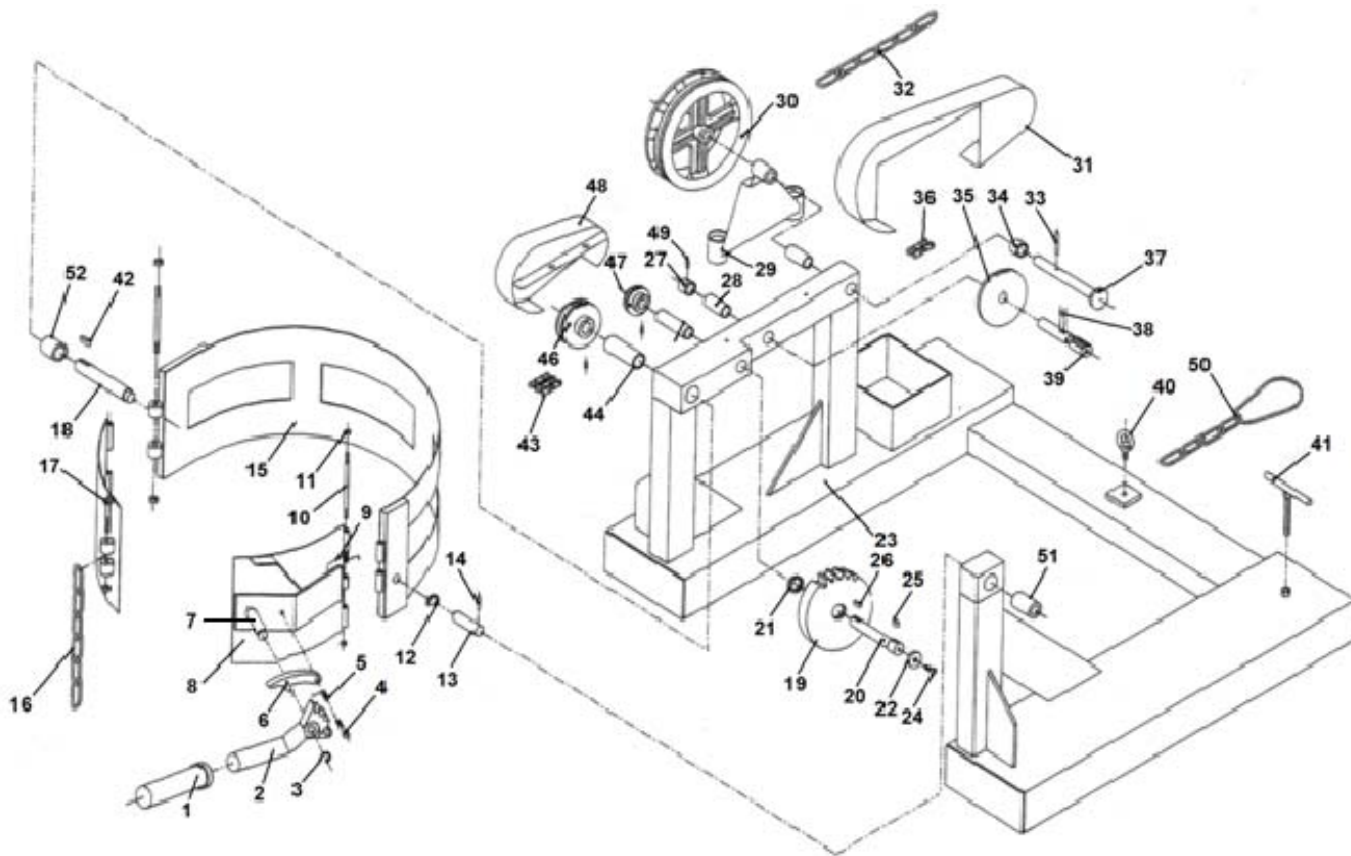


REPLACEMENT PARTS LIST				
ITEM	PART NO.	KIT ITEM INCLUDED IN	DESCRIPTION	QTY.
1		A	RUBBER BUSH	1
2		A	PAWL	1
3		A, G	RETAINING RING	1
4		A, G	BOLT	1
5	170654	A, G	SPRING	1
6		A, G	DENTATION CLIP	1
7		B, G	PIN	1
8		B, G	MOBILE HOOP	1
9		B, G	SPRING	1
10		B, G	BOLT	1
11		B, G	LOCK NUT	2
12		B, G	WASHER	1
13		B, G	PIN	1
14		B, G	ELASTIC PIN	1
15		B	SUPPORT HOOP	1
16		B	CHAIN	1
17			BOLT	1
18		C	PIN	1

REPLACEMENT PARTS LIST				
ITEM	PART NO.	KIT ITEM INCLUDED IN	DESCRIPTION	QTY.
19		C	GEAR WHEEL	1
20		C	SPINDLE	4
21		C	SEPARATE RING	1
22		A	COVER BOARD	1
23			CHASSIS	1
24			BOLT	1
25			EVEN KEY	1
26			PIN	1
27		D	RETAINING RING	1
28		D	BUSH	2
29		D	LOCATION FRAME	1
30		E	WHEEL FOR CHAIN	1
31	170653		COVER	1
32	170657		CHAIN	1
33		E	ELASTIC PIN	1
34		E	SEPARATE RING	1
35	170658	F	CHAIN WHEEL	1
36	170682		CHAIN	1

REPLACEMENT PARTS LIST				
ITEM	PART NO.	KIT ITEM INCLUDED IN	DESCRIPTION	QTY.
37	170656	F	SHAFT FOR CHAIN WHEEL	1
38		F	PIN	1
39		F	GEAR SHAFT	1
40		D	BOLT	1
41	170668	D	BRACE BOLT	2
42		D	PIN	1
43	170666		CHAIN	1
44	170686		BUSH	1
45			BUSH	1
46	170665		CHAIN WHEEL	1
47	170664		CHAIN WHEEL	1
48	170648		COVER	1
49			BRACE SCREW	3
50			CHAIN	1
51	170687		BUSH	1
52			SEPARATE RING	1



REPLACEMENT KITS LIST (SHOWN ON PAGE 2)

KIT	PART NO.	DESCRIPTION	QTY.
1	170651	TIGHTENER KIT (INCLUDES ITEMS 1-6)	1
2	170652	MOBILE HOOP KIT (INCLUDES ITEMS 7-16)	1
3	170660	GEAR WHEEL KIT (INCLUDES ITEMS 18-22)	1
4	170663	CHASSIS HARDWARE KIT (INCLUDES ITEMS 27-29, 40-42)	1
5	170659	CHAIN WHEEL KIT (INCLUDES ITEMS 30, 33 & 34)	1
6	170661	PINION WHEEL KIT (INCLUDES ITEMS 35 & 37-39)	1
7	170667	HARDWARE KIT (INCLUDES ITEMS 3-14)	1

Value Fork Truck Drum Lifter & Tilter

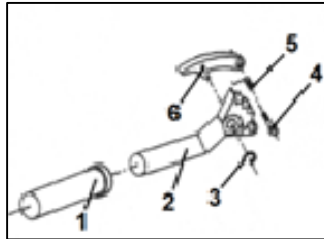
- Economically priced lower capacity model.
- Two models 700 & 1400 lbs. capacity
- Operator does not have to leave seat to tilt drum.
- Made in China

P/N 272403

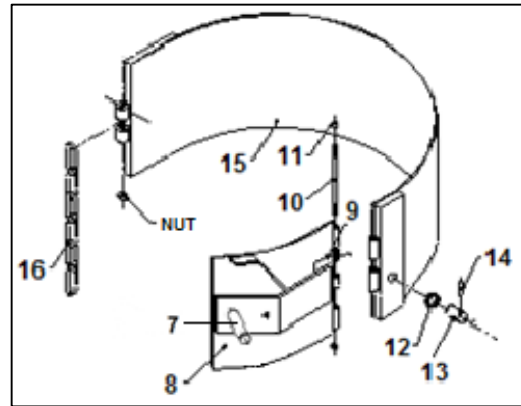
Model VFDLT-1400
 Capacity: 750 Half Drum
 1400 Full Drum
 Fork Pocket Dim.: 7" W x 2.5" H
 Weight: 214 lbs.
 Fork Pocket Center to Center Dim.: 31.5"
 Boxed: Yes

THIS DRAWING IN ALL PARTICULARS IS WESCO INDUSTRIAL PRODUCTS, LLC PROPERTY. ALL RIGHTS OF DESIGN, INVENTION OR USE OF ARE RESERVED.

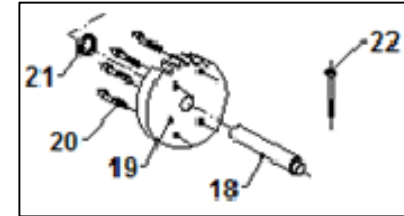
REV. ECH & DATE REVISIONS	WESCO INDUSTRIAL PRODUCTS, LLC		NORTH WALES PENNA. 19454	
	PART NAME		DRAWN: RDS 03-15-06	
	VFDLT-1400		CHECKED:	
	TOLERANCE UNLESS OTHERWISE SPECIFIED		APP. ENGR.	
	FRACTION 3 PLACE DECIMAL 2 PLACE DECIMAL		SCALE:	
± 1/64 ± .005 ± .01		ANGULAR ± 1-1/2° SHEET 1 OF 2		
BREAK ALL SHARP EDGES AND REMOVE ALL BURRS		C- 272403		



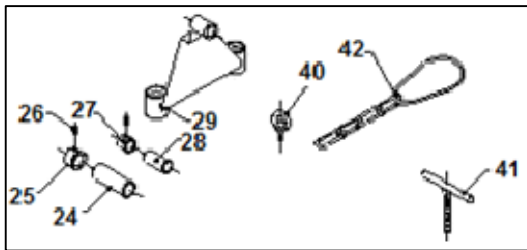
KIT A



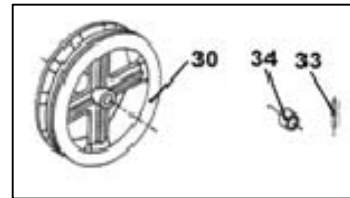
KIT B



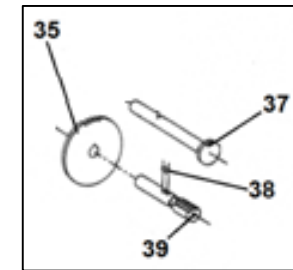
KIT C



KIT D



KIT E



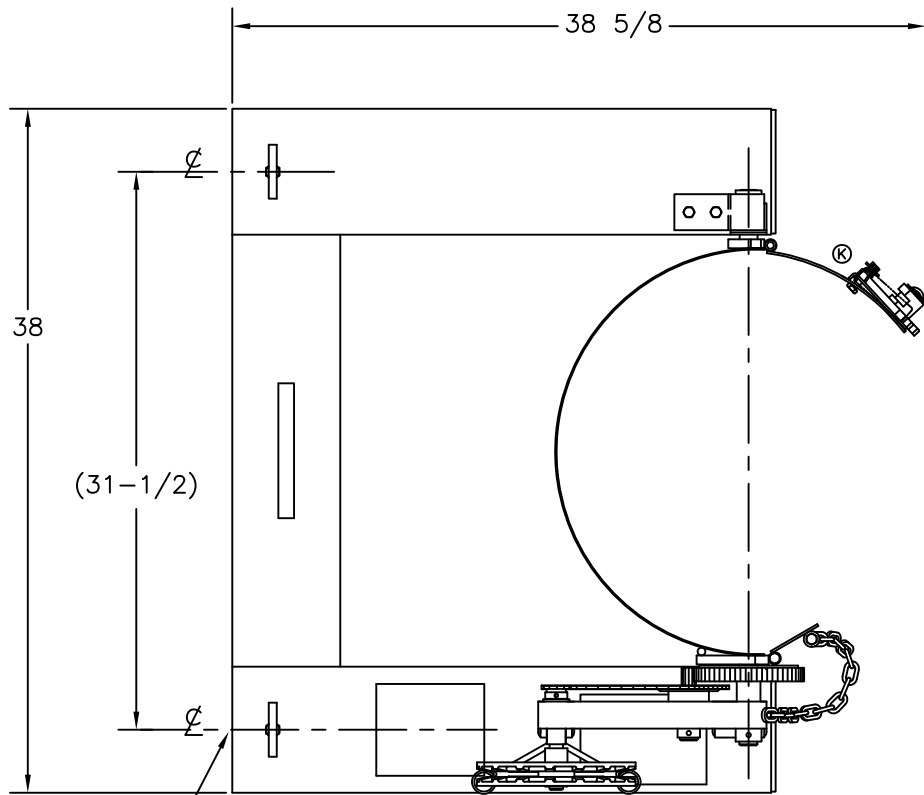
KIT F

REPLACEMENT KITS LIST

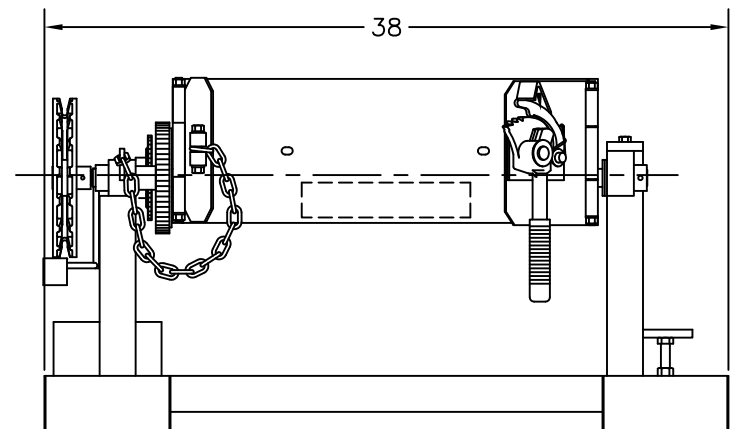
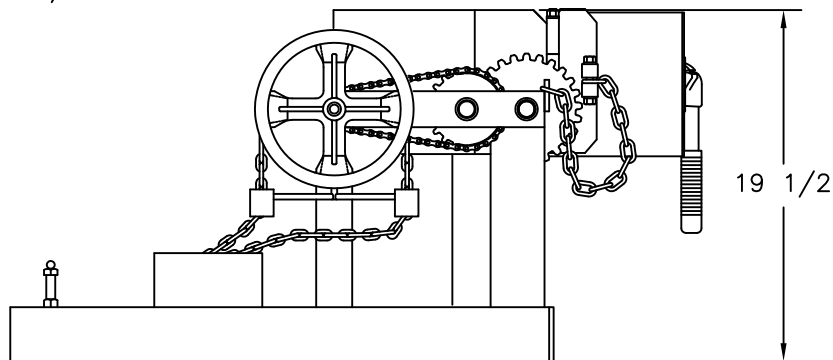
KIT	PART NO.	DESCRIPTION	QTY.
A	170651	TIGHTENER KIT (INCLUDES ITEMS 1-6)	1
B	170652	MOBILE HOOP KIT (INCLUDES ITEMS 7-16)	1
C	170660	GEAR WHEEL KIT (INCLUDES ITEMS 18-22)	1
D	170663	CHASSIS HARDWARE KIT (INCLUDES ITEMS 27-29 & 40-42)	1
E	170659	CHAIN WHEEL KIT (INCLUDES ITEMS 30, 33 & 34)	1
F	170661	PINION WHEEL KIT (INCLUDES ITEMS 35, 37-39)	1
G	170667	HARDWARE KIT (INCLUDES ITEMS 3-14)	1

THIS DRAWING IN ALL PARTICULARS IS WESCO INDUSTRIAL PRODUCTS, LLC PROPERTY. ALL RIGHTS OF DESIGN, INVENTION OR USE OF ARE RESERVED.

REV. ECH & DATE REVISIONS	WESCO INDUSTRIAL PRODUCTS, LLC	
	NORTH WALES PENNA. 19454	
	PART NAME VFDLT-1400	
	DRAWN: RDS 03-15-06	
TOLERANCE UNLESS OTHERWISE SPECIFIED		APP. ENGR.
FRACTION 3 PLACE DECIMAL 2 PLACE DECIMAL		SCALE:
± 1/64 ± .005 ± .01		ANGULAR ± 1-1/2° SHEET 2 OF 2
BREAK ALL SHARP EDGES AND REMOVE ALL BURRS		C- 272403 REV



INSIDE POCKET DIMENSIONS
2-1/2" x 7"



THIS DRAWING IN ALL PARTICULARS IS WESCO INDUSTRIAL PRODUCTS, LLC PROPERTY. ALL RIGHTS OF DESIGN, INVENTION OR USE OF ARE RESERVED.

REV. ECH & DATE	APP. REVISIONS		WESCO INDUSTRIAL PRODUCTS, LLC NORTH WALES PENNA. 19454		DRAWN: _____
			VFDLT-1400		CHECKED: _____
			TOLERANCE UNLESS OTHERWISE SPECIFIED		APP. ENGR. _____
			FRACTION 3 PLACE DECIMAL 2 PLACE DECIMAL $\pm 1/64$ $\pm .005$ $\pm .01$	SCALE: _____	
			ANGULAR $\pm 1-1/2'$	SHEET 1 OF 1	C- 272403
		BREAK ALL SHARP EDGES AND REMOVE ALL BURRS		REV	