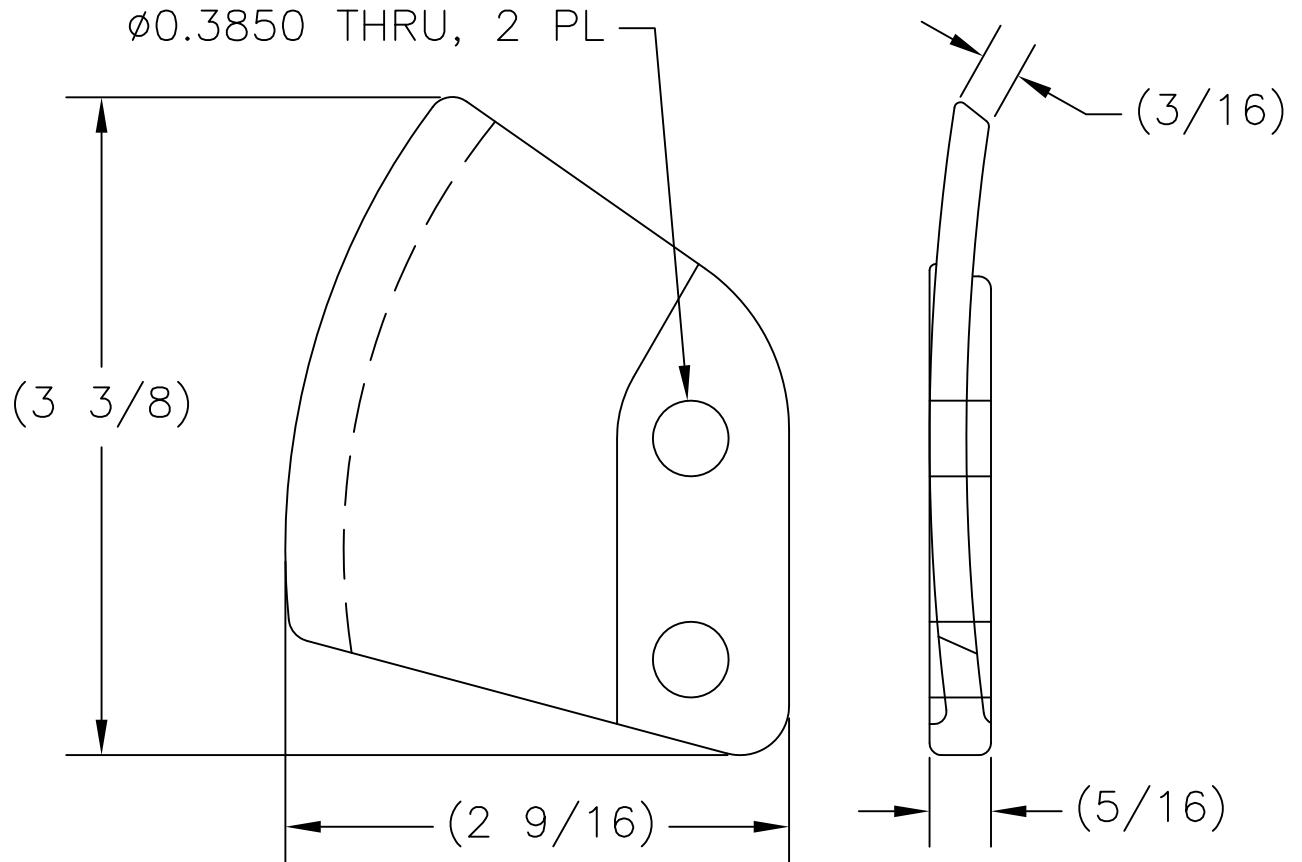


272302

**WARNING: This Blade is made from a Beryllium Copper Alloy. This material is considered hazardous by the OSHA Hazards ocmunications standard (29CFR 1910.1200). NEVER grind, sharpen, drill, or machine Beryllium Copper parts. Any of these processes will generate Beryllium Copper dust that is harmful if inhaled. DO NOT breathe this dust, it may cause cancer. Wash hands thoroughly after handling**



NOTES: Weight: .35 lbs  
 Boxed Size: .5" x 4.5" x 3"  
 Material: BeCu Casting Alloy C82800

THIS DRAWING IN ALL PARTICULARS IS WESCO INDUSTRIAL PRODUCTS, LLC PROPERTY. ALL RIGHTS OF DESIGN, INVENTION OR USE OF ARE RESERVED.

PRINT ISSUED

JUN-27-2104

WESCO MANUFACTURING  
 ENGINEERING DEPARTMENT

APP  
 ECN & DATE  
 REV.

REVISIONS

**WESCO INDUSTRIAL PRODUCTS, LLC**  
 NORTH WALES PENNA. 19454

PART NAME  
 DEHEADER BLADE  
 272301 DRUM DEHEADER

DRAWN: RS 06-27-14

CHECKED:

APP. ENGR.

SCALE: 1" = 1"

TOLERANCE UNLESS OTHERWISE SPECIFIED

FRACTION	3 PLACE DECIMAL	2 PLACE DECIMAL
± 1/64	± .005	± .01

ANGULAR ± 1-1/2° SHEET 1 OF 1

BREAK ALL SHARP EDGES AND REMOVE ALL BURRS

**A-272302** REV