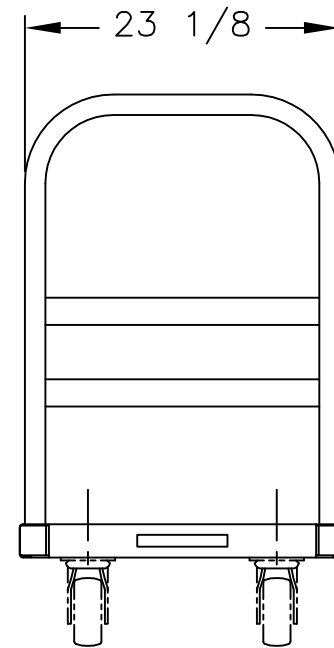
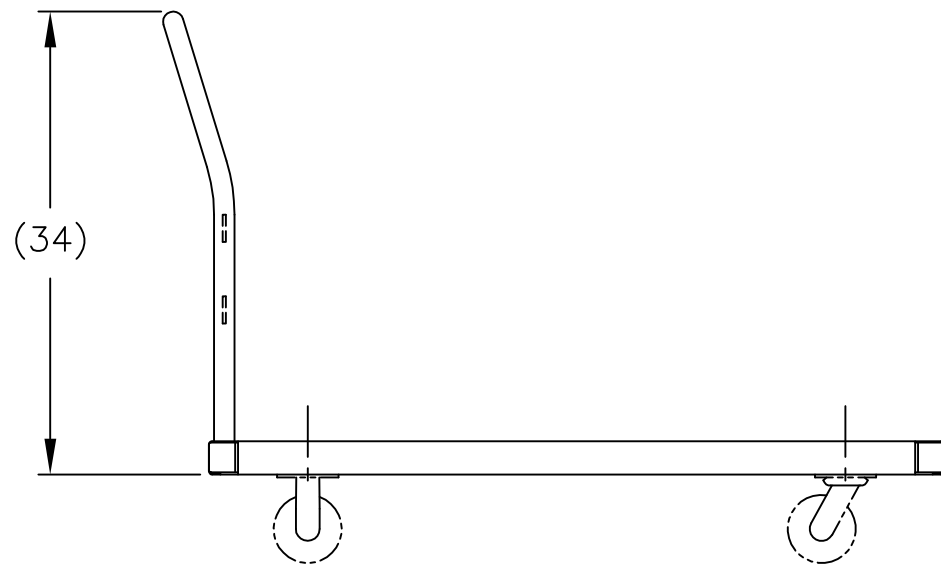
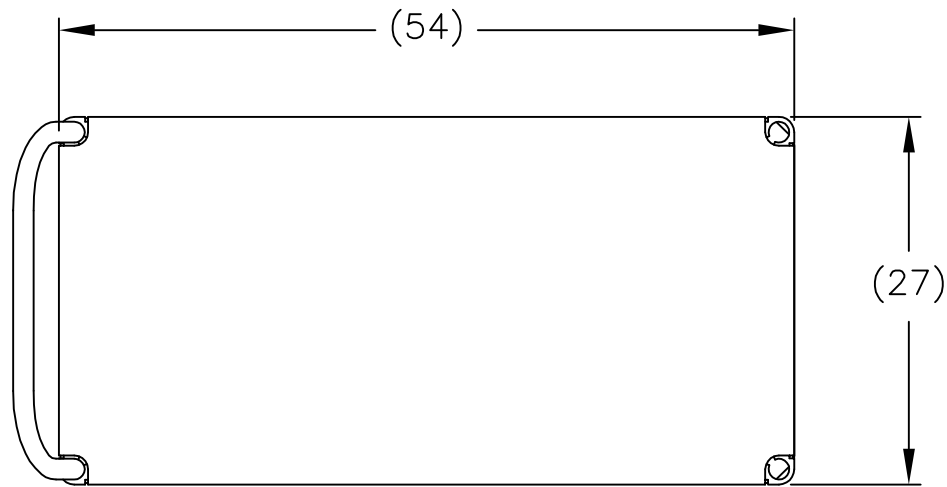


# STEEL PLATFORM TRUCKS

Features:

- Heavy duty 12 gauge steel reinforced welded construction.
- Constructed for both standard corner or diamond caster mounting pattern.
- Removable two cross-brace handle can be inserted in either end.
- Eight platform sizes available.
- All platforms include one handle. Additional handles available as an option.
- All listed capacities are based on evenly distributed loads.

Model: 2754 Steel Platform  
 Platform: 27" x 54"  
 Max. Capa: 4,000 lbs  
 Weight: 82 lbs  
 Caster: Chart Selection



### Extra Handle Parts List

272197	24" WIDE PLATFORM	15 lbs
272198	27" WIDE PLATFORM	16 lbs
272199	30" WIDE PLATFORM	17 lbs
272200	36" WIDE PLATFORM	19 lbs

### Caster Sets (Optional)

272191	POLYOLEFIN 6 x 1.375"	1,600 lbs	25 lbs
272192	POLYOLEFIN 8 x 2"	2,500 lbs	31 lbs
272193	MOLDON POLYURETHANE 8 x 2"	4,000 lbs	38 lbs
272194	FULL PNEUMATIC 8 x 2.5"	1,600 lbs	28 lbs
272195	FULL PNEUMATIC 10 x 3.5"	2,500 lbs	37 lbs
272201	MOLDON RUBBER 5 x 2"	1,600 lbs	32 lbs
272202	MOLDON RUBBER 6 x 2"	1,800 lbs	35 lbs
272203	MOLDON RUBBER 8 x 2"	2,200 lbs	40 lbs

Each caster set contains 2 swivel and 2 rigid casters.

THIS DRAWING IN ALL PARTICULARS IS WESCO MFG. CO. PROPERTY. ALL RIGHTS OF DESIGN, INVENTION OR USE OF ARE RESERVED.

PRINT ISSUED  
 OCT. 27, 2006  
 WESCO MANUFACTURING  
 ENGINEERING DEPARTMENT

APP	<b>WESCO MANUFACTURING CO.</b>	
	LANSDALE	PENNA. 19446
ECN & DATE	PART NAME	DRAWN:
	<b>STEEL PLATFORM 27x54</b>	CHECKED:
REVISIONS	TOLERANCE UNLESS OTHERWISE SPECIFIED	
	FRACTION	3 PLACE DECIMAL      2 PLACE DECIMAL
	± 1/64	± .005      ± .01
	ANGULAR ± 1-1/2'	SHEET 1 OF 1
REV.	BREAK ALL SHARP EDGES AND REMOVE ALL BURRS	

SCALE: 1" = 14"	<b>B- 272268</b>	REV