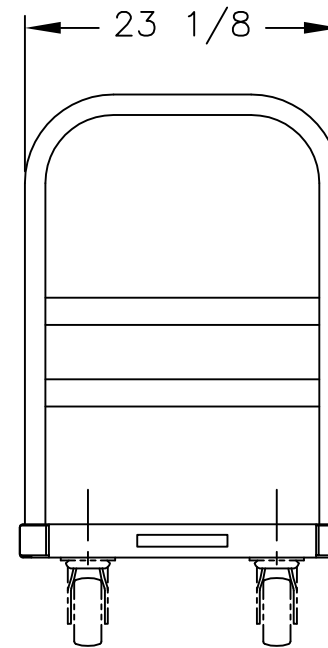
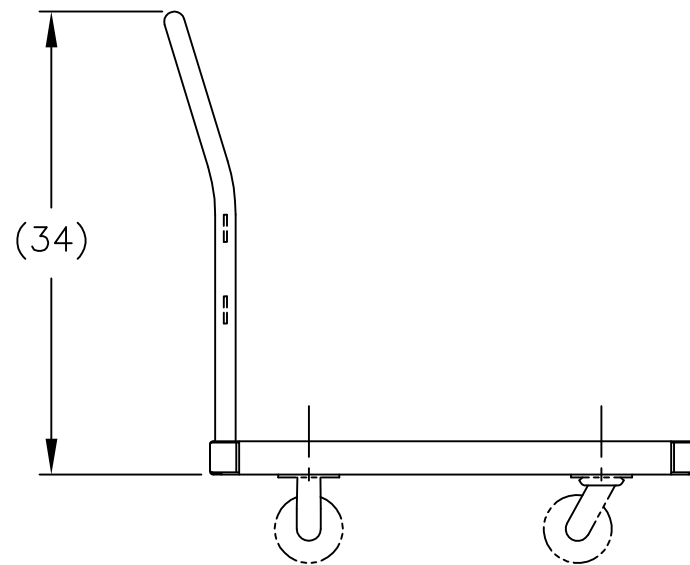
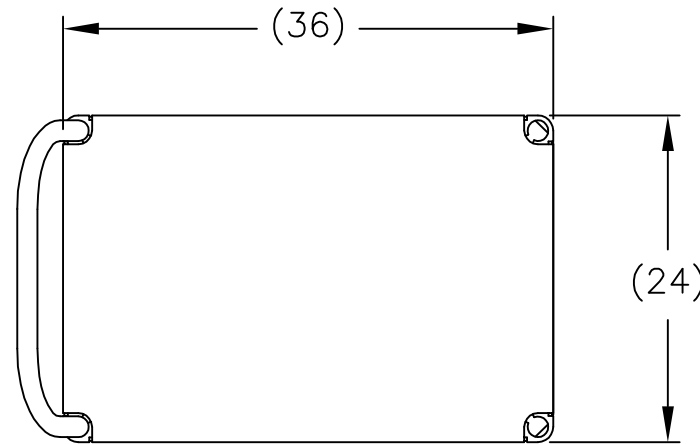


STEEL PLATFORM TRUCKS

Features:

- Heavy duty 12 gauge steel reinforced welded construction.
- Constructed for both standard corner or diamond caster mounting pattern.
- Removable two cross-brace handle can be inserted in either end.
- Eight platform sizes available.
- All platforms include one handle. Additional handles available as an option.
- All listed capacities are based on evenly distributed loads.

Model: 2436 Steel Platform
 Platform: 24" x 36"
 Max. Capa: 4,000 lbs
 Weight: 54 lbs
 Caster: Chart Selection



Extra Handle Parts List

272197	24" WIDE PLATFORM	15 lbs
272198	27" WIDE PLATFORM	16 lbs
272199	30" WIDE PLATFORM	17 lbs
272200	36" WIDE PLATFORM	19 lbs

Caster Sets (Optional)

272191	POLYOLEFIN 6 x 1.375"	1,600 lbs	25 lbs
272192	POLYOLEFIN 8 x 2"	2,500 lbs	31 lbs
272193	MOLDON POLYURETHANE 8 x 2"	4,000 lbs	38 lbs
272194	FULL PNEUMATIC 8 x 2.5"	1,600 lbs	28 lbs
272195	FULL PNEUMATIC 10 x 3.5"	2,500 lbs	37 lbs
272201	MOLDON RUBBER 5 x 2"	1,600 lbs	32 lbs
272202	MOLDON RUBBER 6 x 2"	1,800 lbs	35 lbs
272203	MOLDON RUBBER 8 x 2"	2,200 lbs	40 lbs

Each caster set contains 2 swivel and 2 rigid casters.

THIS DRAWING IN ALL PARTICULARS IS WESCO MFG. CO. PROPERTY. ALL RIGHTS OF DESIGN, INVENTION OR USE OF ARE RESERVED.

PRINT ISSUED

OCT. 27, 2006

WESCO MANUFACTURING
ENGINEERING DEPARTMENT

APP.
ECN & DATE
REV.

REVISIONS

WESCO MANUFACTURING CO.
LANSDALE PENNA. 19446

PART NAME
STEEL PLATFORM 24x36

DRAWN:
CHECKED:
APP. ENGR.

TOLERANCE UNLESS OTHERWISE SPECIFIED

FRACTION	3 PLACE DECIMAL	2 PLACE DECIMAL
± 1/64	± .005	± .01

SCALE: 1" = 14"

ANGULAR ± 1-1/2'	SHEET 1 OF 1
------------------	--------------

B- 272266

REV

BREAK ALL SHARP EDGES AND REMOVE ALL BURRS