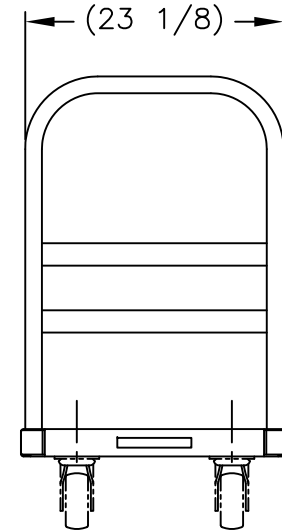
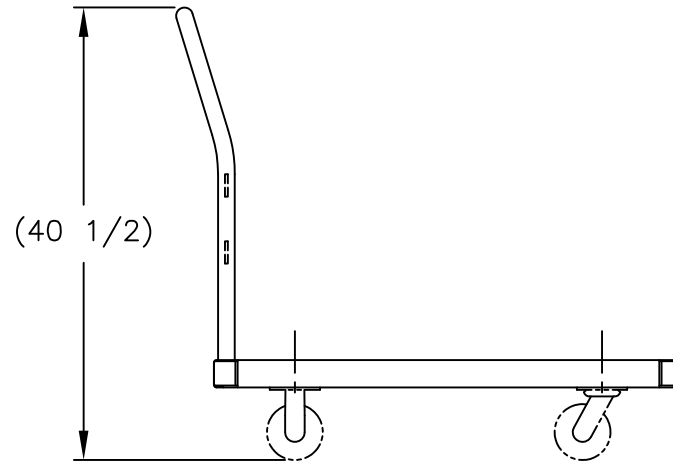
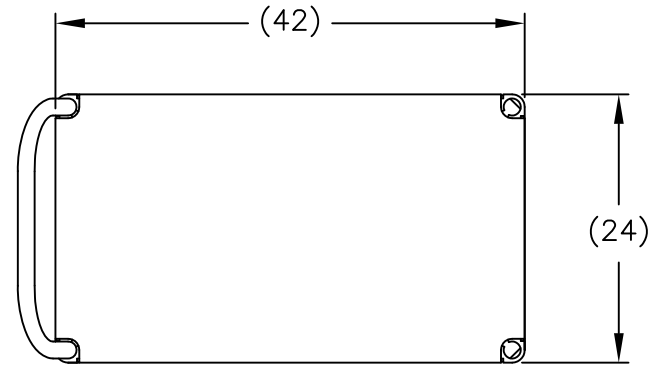


ECONOMY STEEL PLATFORM TRUCKS

Features:

- Ships complete. Platform, one handle, four 5" x 1.25" casters.
- Deck height - 5.75", handle height - 41".
- All listed capacities are based on evenly distributed loads.

Model: 2442 Steel Platform
 Platform: 24" x 42"
 Max. Capa: 750 lbs
 Weight: 62 lbs
 Caster: 5" X 1.25" Rubber



THIS DRAWING IN ALL PARTICULARS IS WESCO MFRG. CO. PROPERTY. ALL RIGHTS OF DESIGN, INVENTION OR USE OF ARE RESERVED.

PRINT ISSUED

OCT. 27, 2006

WESCO MANUFACTURING
ENGINEERING DEPARTMENT

REV.	ECN & DATE	APP	WESCO MANUFACTURING CO.		NORTH WALES		PENNA. 19454			
			PART NAME				DRAWN:			
			ECONOMY STEEL PLATFORM				CHECKED:			
			TOLERANCE UNLESS OTHERWISE SPECIFIED				APP. ENGR.			
FRACTION		3 PLACE DECIMAL		2 PLACE DECIMAL		SCALE: 1" = 14"				
± 1/64		± .005		± .01		B- 272265 REV A				
ANGULAR ± 1-1/2'		SHEET 1		OF 1						
BREAK ALL SHARP EDGES AND REMOVE ALL BURRS										