

REPLACEMENT PARTS LIST			
ITEM	PART NO.	DESCRIPTION	QTY.
KIT	272380	HANDLE ASSEMBLY KIT (INCLUDES ITEMS 13-16 & 82-91)	1
13		PRESSURE ROLLER	1
14		BUSH	1
15		PIN	1
16		RETAINING RING FOR AXLE	1
82		BLADE SPRING	1
83		SPRING PIN	2
84		ROLLER	1
85		SPRING PIN	1
86		SPRING PIN	1
87		SPRING PIN	1
88		HANDLE	1
89		HANDLE TUBE	1
90		PULL POLE	1
91		NUT	1

Economizer Pallet Truck

Features:

- 1 year pump warranty.
- Fingertip control: raise -neutral-lower.
- Polyurethane load and steering wheels

Specifications:

Capacity:	4400 lbs
Weight:	132 lbs
Steering wheel:	6.25"
Raised height:	7.50"
Lowered height:	2.88"
Fork W x L:	27" x 48"

THIS DRAWING IN ALL PARTICULARS IS WESCO INDUSTRIAL PRODUCTS INC. PROPERTY. ALL RIGHTS OF DESIGN, INVENTION OR USE OF ARE RESERVED.

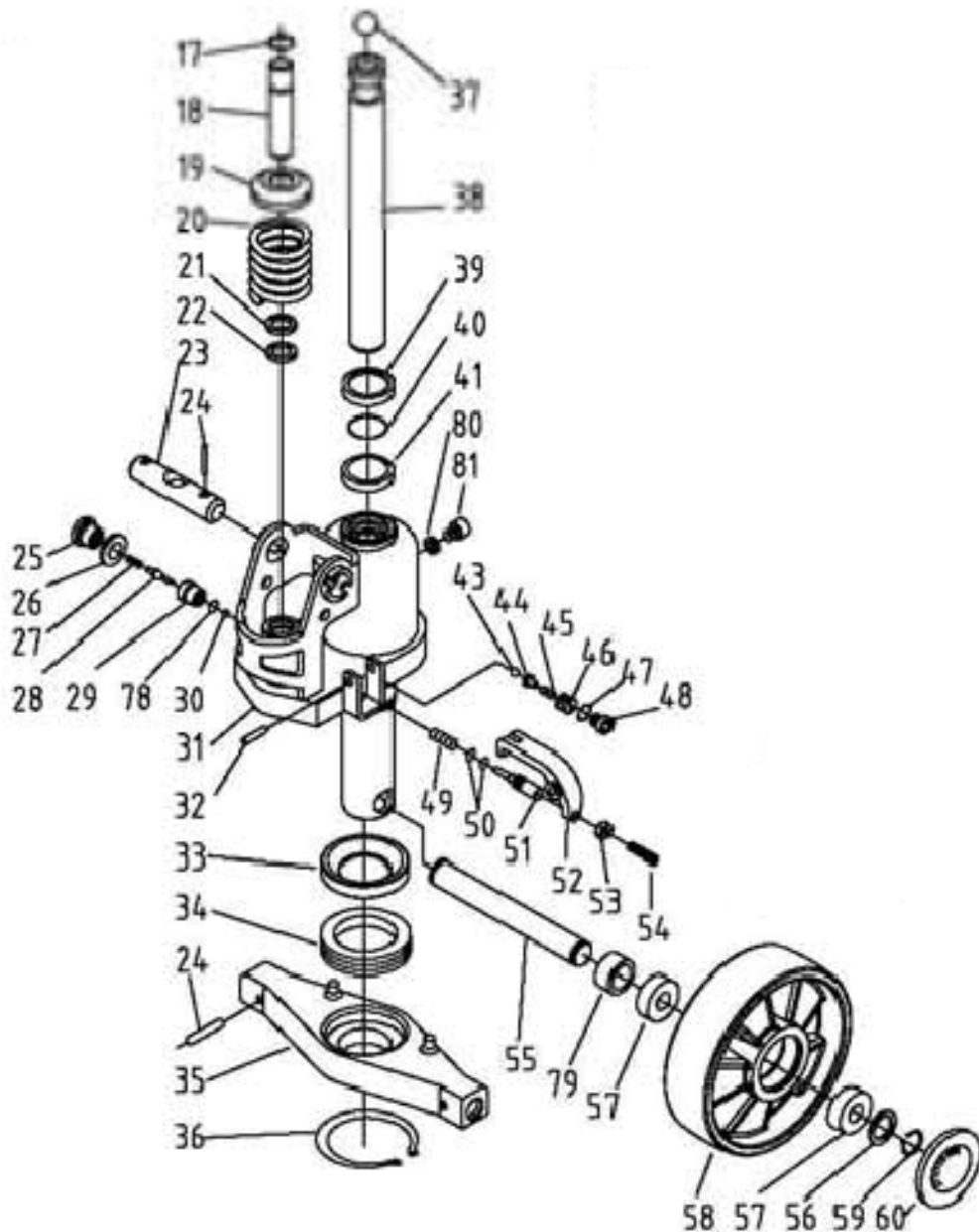
PRINT ISSUED

JUNE 15, 2009

WESCO MANUFACTURING
ENGINEERING DEPARTMENT

WESCO INDUSTRIAL PRODUCTS INC.
NORTH WALES PENNA. 19454

REV. ECH & DATE	PART NAME		DRAWN:	
	ECONOMIZER PALLET TRUCK		CHECKED:	
	TOLERANCE UNLESS OTHERWISE SPECIFIED		APP. ENGR.	
	FRACTION	3 PLACE DECIMAL	2 PLACE DECIMAL	SCALE:
± 1/64	± .005	± .01		
ANGULAR ± 1-1/2°		SHEET 1 OF 3		
BREAK ALL SHARP EDGES AND REMOVE ALL BURRS				C-272149 REV



REPLACEMENT PARTS LIST

ITEM	PART NO.	DESCRIPTION	QTY.
KIT	272379	HYDRAULIC PUMP KIT (INCLUDES ITEMS 17-54, 78, 80 & 81)	1
KIT	272384	SEAL KIT	1
17	272365	RETAINING RING FOR AXLE	5
18		PUMP PLUNGER	1
19		COVER	1
20		SPRING	2
21		DUST RING	1
22		Y-RING	1
23		SHAFT	1
24	272389	SPRING PIN	10-18
25		PLUG	1
26		COPPER WASHER	1
27		SPRING	1
28		SPINDLE OF DAMPING VALVE	1
29		SEAT OF DAMPING VALVE	1
30		STEEL BALL	1
31		BASE	1
32		SPRING PIN	1
33		BOWL WASHER	1
34	273481	THRUST BEARING	1
35		SUPPORTING BASE	1
36		RETAINING RING FOR AXLE	1
37		STEEL BALL	1
38		PISTON ROD	1
39		DUST RING	1
40		O-RING	1
41		Y-RING	1
42		OIL PLUG	1
43		STEEL BALL	1
44		BALL BASE	1
45		SPRING	1
46		REGULATION SCREW	1
47		COPPER WASHER	1
48		PLUG	1
49		SPRING	1
50		O-RING	2
51		STRIKE PIN	1
52	272386	LEVER PLATE	1
53	272387	NUT	1
54	272388	REGULATION SCREW	1
55	273746	STEERING WHEEL SHAFT	1
56	273747	WASHER	2
57	272377	BEARING	8
58	272378	STEERING WHEEL	2
59	273748	RETAINING RING FOR AXLE	4
60	272383	DUST COVER	2
78		O-RING	2
79	273749	WASHER	2
80		O-RING	1
81		SCREW	1

THIS DRAWING IN ALL PARTICULARS IS WESCO INDUSTRIAL PRODUCTS INC. PROPERTY. ALL RIGHTS OF DESIGN, INVENTION OR USE OF ARE RESERVED.

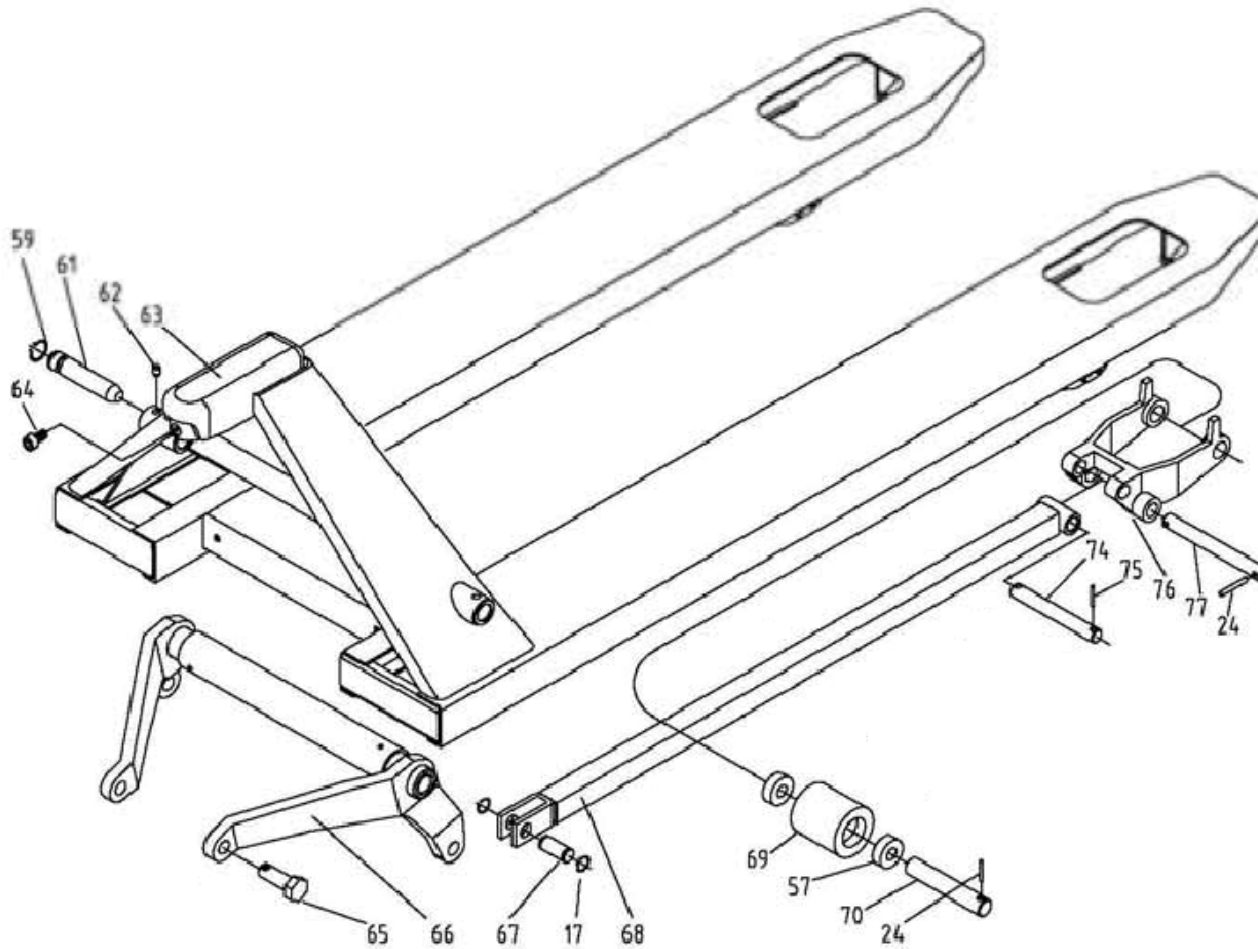
PRINT ISSUED

JUNE 15, 2009

WESCO MANUFACTURING
ENGINEERING DEPARTMENT

WESCO INDUSTRIAL PRODUCTS INC.
NORTH WALES PENNA. 19454

REV.	ECH & DATE	REVISIONS	APP.	PART NAME	DRAWN:
				ECONOMIZER PALLET TRUCK	CHECKED:
				TOLERANCE UNLESS OTHERWISE SPECIFIED	APP. ENGR.
				FRACTION 3 PLACE DECIMAL 2 PLACE DECIMAL	SCALE:
				± 1/64 ± .005 ± .01	
				ANGULAR ± 1-1/2° SHEET 2 OF 3	C-272149 REV
				BREAK ALL SHARP EDGES AND REMOVE ALL BURRS	



REPLACEMENT PARTS LIST

ITEM	PART NO.	DESCRIPTION	QTY.
17	272365	PRESSURE ROLLER	5
24		SPRING PIN	10
57	272377	BEARING	8
59		RETAINING RING FOR AXLE	4
61		SHAFT	2
62		BOLT	2
63		FORK FRAME	1
64		BOLT	1
65	272398	PIN	2
66	272385	ROCKER ARM	1
67	272366	PIN	2
68		STRAIGHT TAPPET	2
69	272376	LOAD WHEEL	2
70	272381	LOAD WHEEL AXLE	2
74		SHAFT	2
75		SPRING PIN	4
76	272382	FRAME OF FORK	2
77	272399	SHAFT	2

THIS DRAWING IN ALL PARTICULARS IS WESCO INDUSTRIAL PRODUCTS INC. PROPERTY. ALL RIGHTS OF DESIGN, INVENTION OR USE OF ARE RESERVED.

PRINT ISSUED

JUNE 15, 2009

WESCO MANUFACTURING
ENGINEERING DEPARTMENT

WESCO INDUSTRIAL PRODUCTS INC.
NORTH WALES PENNA. 19454

REV. ECH & DATE	PART NAME		DRAWN:
	ECONOMIZER PALLET TRUCK		CHECKED:
	TOLERANCE UNLESS OTHERWISE SPECIFIED		APP. ENGR.
	FRACTION	3 PLACE DECIMAL	2 PLACE DECIMAL
± 1/64	± .005	± .01	
ANGULAR ± 1-1/2°		SHEET 3 OF 3	C-272149
BREAK ALL SHARP EDGES AND REMOVE ALL BURRS			REV