

272037

HEAVY DUTY BRASS FAUCET

WEIGHT: 1.40 LBS.

MINIMUM ORDER QTY. 2

- ADJUSTABLE SHANK DESIGNED TO EASILY ADJUST TO PROPER DRAIN POSITION AFTER INSTALLING IN DRUM.
- INTERNAL FLAME ARRESTOR FM APPROVED FOR USE WITH OILS (UNDER 30 SAE) AND NON-CORROSIVE FLAMMABLES.

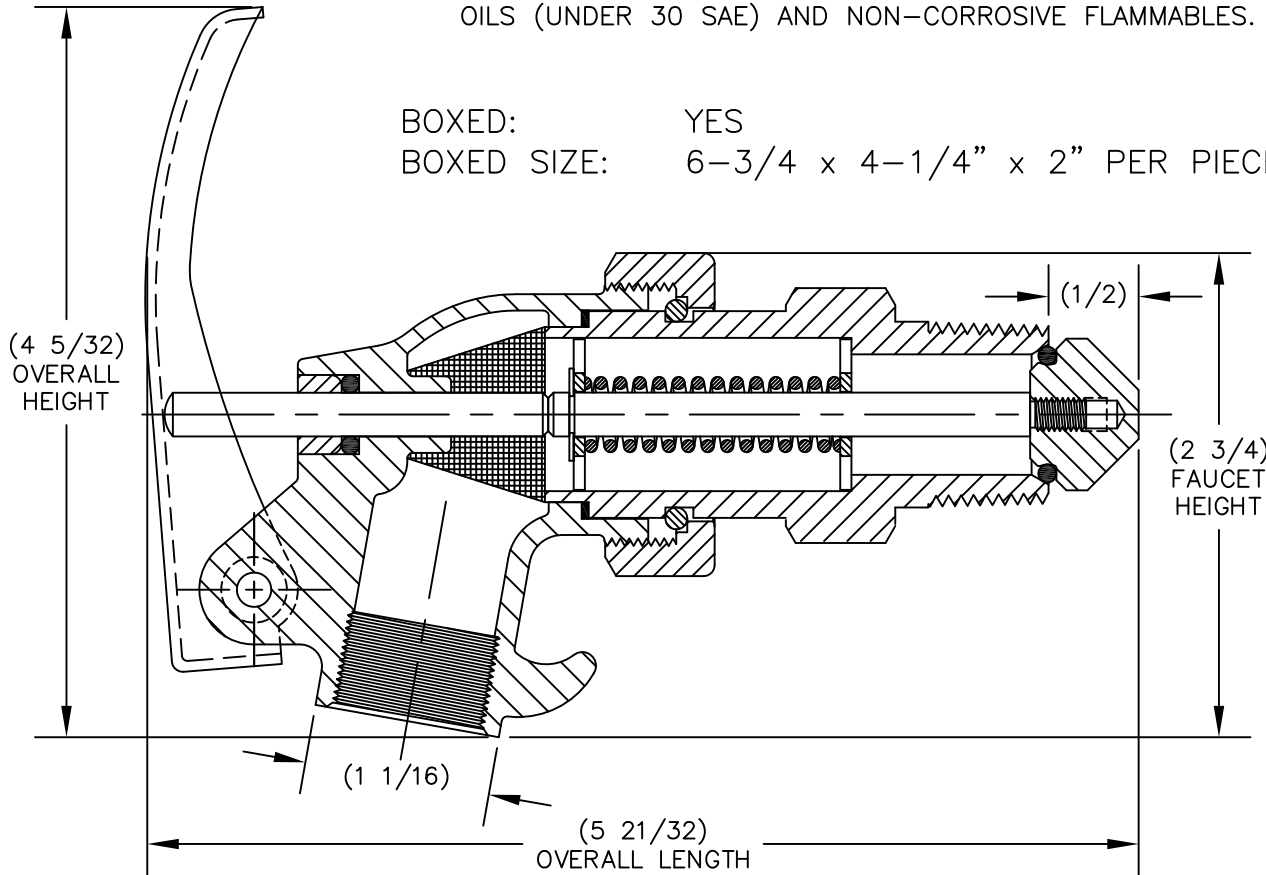
FEATURES

- BRASS.
- EASY-TO-USE SELF-CLOSING DESIGN.
- .75" NPT CONNECTION.
- PTFE GASKET.

REPLACEMENT PARTS

P/N 270239 "O" RING.

BOXED: YES
 BOXED SIZE: 6-3/4 x 4-1/4" x 2" PER PIECE.



WESCO RECOMMENDS THAT IF A QUESTION ARISES, THE USER CONTACT THE SUPPLIER OF CHEMICALS TO DETERMINE IF THIS FAUCET IS COMPATIBLE WITH THOSE CHEMICALS. WESCO IS UNABLE TO OFFER SPECIFIC RECOMMENDATIONS FOR CHEMICAL USAGE.

WARNING: Bronze or Brass components of this product contain lead or arsenic. The state of California under Proposition 65 has determined that exposure to these chemicals is known to cause cancer or birth defects or other reproductive harm. Please wash hands after use.

NOTE: OVERALL WIDTH (1 7/8)

THIS DRAWING IN ALL PARTICULARS IS OUR PROPERTY. ALL RIGHTS OF DESIGN, INVENTION OR OF USE ARE RESERVED.

REVISIONS	APP.	
	ECN & DATE	
	REV.	

WESCO INDUSTRIAL PRODUCTS, LLC NORTH WALES, PA 19454			
PART NAME		WITH STRAINER SCREEN	
		BRASS ADJUSTABLE FAUCET ASSEMBLY	
TOLERANCES UNLESS OTHERWISE SPECIFIED			
FRACTION	3 PLACE DECIMAL	2 PLACE DECIMAL	ANGULAR
± 1/64"	± .005	±.01	± 1-1/2'
SURFACE FINISH		250 UNLESS SPECIFIED	
BREAK ALL SHARP EDGES AND REMOVE ALL BURRS			
DRAWN		RDS 02-13-06	
APP. ENGR			
SCALE:		1=1	
SHEET:		1 OF 1	
A-272037			REV. A