

HEAVY DUTY STEEL APPLIANCE/VENDING

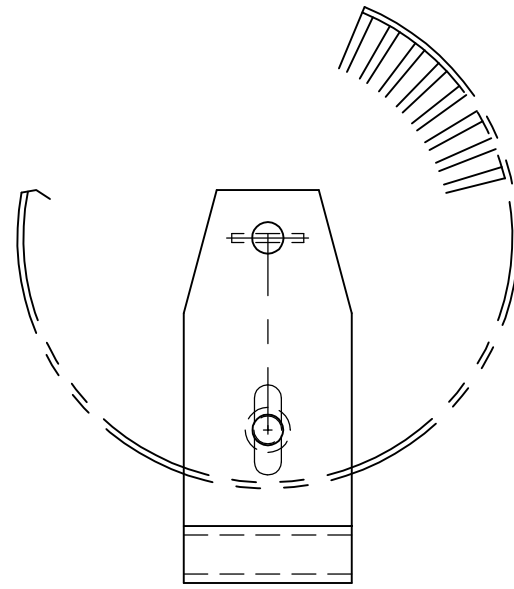
Features:

- Welded frame and handles for maximum strength.
- Non-Marking gray vinyl on all contact surfaces securely mounted to truck.
- Bolted holding dog assembly for easy interchange of parts.
- 2" wide heavy duty web belt is standard on all models.
- WESCO continuous belt stair climbers standard on all models.
- Various belt tightener options to meet your moving needs.

SUPER WHEEL OPTION

- 10" Pneumatic rear wheels.
- Quick and easy turnbuckle mounting system.
- Converts a 2 wheel truck into a 4 wheel truck.

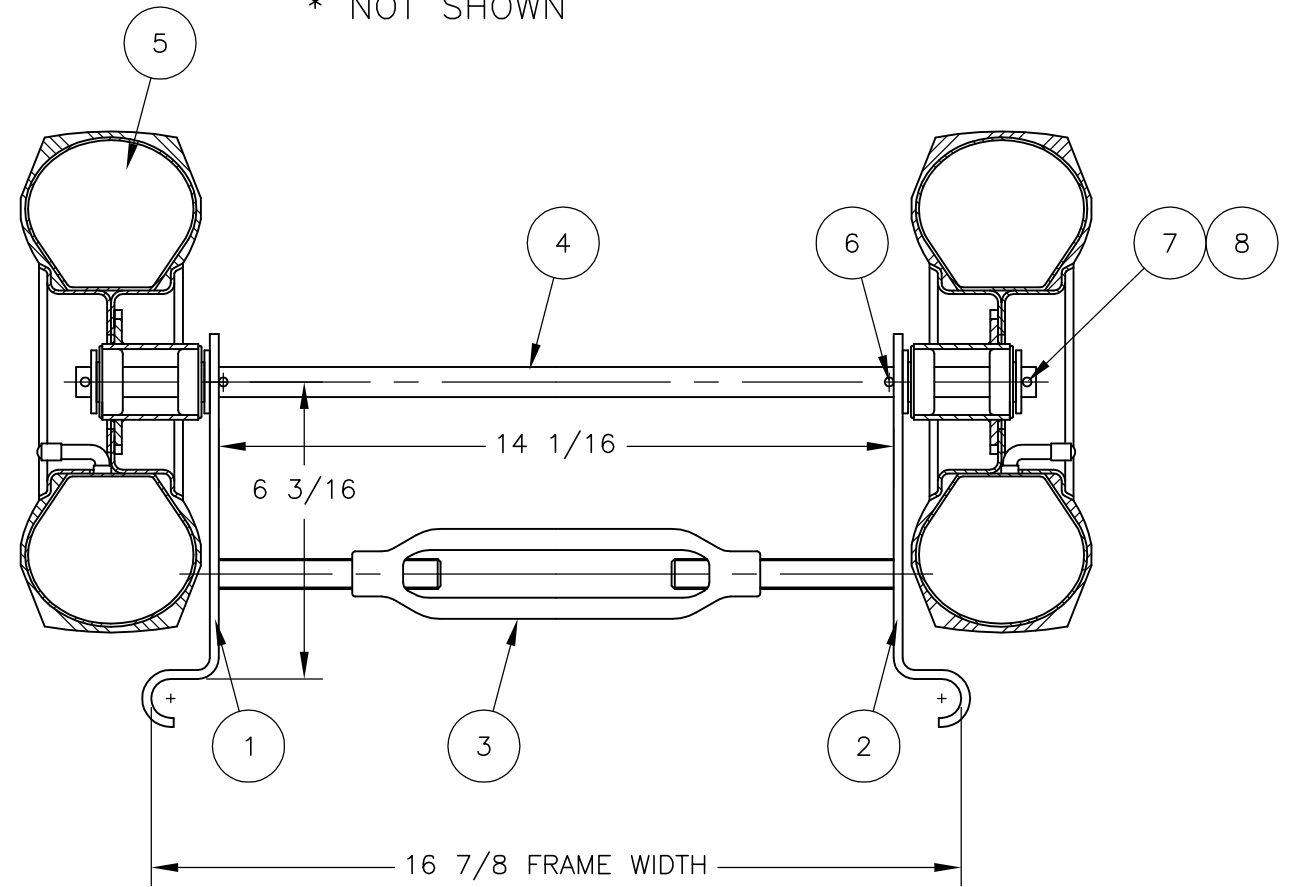
NOTE: can not be used on 72", /WRV-72 models.



*

REPLACEMENT PARTS LIST			
1	052872	MOUNTING BRACKET – R.H (Steel Truck)	1
	052878	MOUNTING BRACKET – R.H (Mag. Truck)	1
2	052873	MOUNTING BRACKET – L.H (Steel Truck)	1
	052879	MOUNTING BRACKET – L.H (Mag. Truck)	1
3	150671	TURN BUCKLE	1
4	050247	AXLE	1
5	050602	10" WHEELS	2
6	108570	SPRING PIN	2
7	100051	FLAT WASHER	4
8	108218	COTTON PIN	2
9	108257	BOX	1

* NOT SHOWN



THIS DRAWING IN ALL PARTICULARS IS WESCO MFG. CO. PROPERTY. ALL RIGHTS OF DESIGN, INVENTION OR USE OF ARE RESERVED.

PRINT ISSUED

NOV 08, 2006

WESCO MANUFACTURING
ENGINEERING DEPARTMENT

WESCO MANUFACTURING CO. LANSDALE PENNA. 19446	
PART NAME 5th WHEEL OPTION STEEL APPLIANCE TRUCK	DRAWN: DATE: CHECKER:
TOLERANCE UNLESS OTHERWISE SPECIFIED	
FRACTION 3 PLACE DECIMAL 2 PLACE DECIMAL ± 1/64 ± .005 ± .01	SCALE: 1" = 2"
ANGULAR ± 1-1/2° SHEET 1 OF 1	D- 270075
BREAK ALL SHARP EDGES AND REMOVE ALL BURRS	