

REPLACEMENT PARTS LIST			
ITEM	PART NO.	DESCRIPTION	QTY.
101M		HANDLE GRIP	1
102		CONTROL HANDLE	1
103		ELASTIC PIN	1
104	KIT: HANDLE RELEASE ASSEMBLY 260251	NUT	1
105		BOLT WITH HOLE	1
106		JACKET	1
107		PULL ROD	1
108		BOLT	8
109		WASHER	16
110M		BIG WASHER	2
111M		ELASTIC WASHER	2
112M		BOLT	2
118	273404	UNIVERSAL WHEEL	2
119D		FRAME	1
120	273940	PIN	2
121	273941	WASHER	4
122	273942	AXLE	2
123	273406	BEARING	4
124	273405	WHEEL	2
125	273943	RETAINING RING	2
126D		PUMP UNIT	1
127		PIN	1
128		WASHER	1
129		RETAINING RING	2
130D		PIN	1
131		WASHER	2
132		RETAINING RING	2
133D		CONNECTING ROD	1
134		CUSHION	1
135		BOLT	1

REPLACEMENT PARTS LIST			
ITEM	PART NO.	DESCRIPTION	QTY.
136		WASHER	1
137		ELASTIC WASHER	1
138		NUT	1
139	273416	PROTECTING COVER	1
140	273417	PEDAL BAR	1
141D		TABLE	1
142		RETAINING RING	2
143		ROLLER	2
144		WASHER	2
145		ROLLER	2
146		PIN	2
147		BUSHING	2
148		RETAINING RING	2
149		PIN	1
150		RETAINING RING	2
151D		FORK ARM	1
152		BUSHING	8
153		PIN	2
154		RETAINING RING	2
156		ELASTIC PIN	2
157		SUPPORT PLANK	2
158		SCREW	2
159		NUT	2
160D		LONG SHAFT	2
161D		WASHER	4
162D		WASHER	4
163D		NUT	4
165		PROTECTING BOARD	1
166		SCREW	4

**DOUBLE SCISSOR HIGH LIFT TABLES**

- Fixed handle.
- Chrome plated handle and foot pedal.
- Lever release handle.
- 5" x 1.5" moldon polyurethane wheels with locking swivel.
- Foot operated pump.

**P/N 260204**

Model: LT-770DSL  
 Capacity: 770 lbs  
 Raised Height: 51"  
 Lowered Height: 14"  
 Weight: 227 lbs  
 Table Size: 19.5" x 35.5"  
 Table Thickness: .1"  
 Overall Height: 37"  
 Overall Depth: 45.5"  
 Overall Width: 19.5"

PRINT ISSUED

DEC 1, 2006

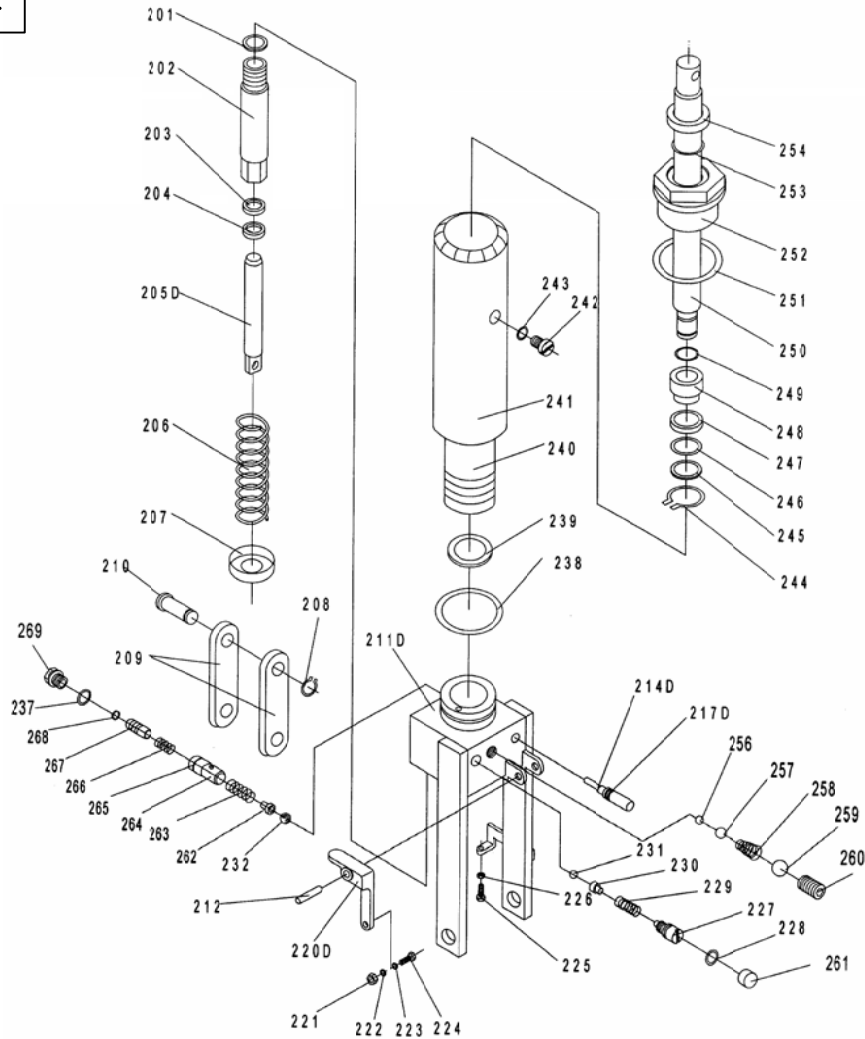
WESCO MANUFACTURING  
ENGINEERING DEPARTMENT

REV. APP. ECH & DATE REVISIONS

**WESCO INDUSTRIAL PRODUCTS INC.**  
NORTH WALES PENNA. 19454

PART NAME <b>LT-770DSL SCISSOR LIFT TABLE</b>		DRAWN:
TOLERANCE UNLESS OTHERWISE SPECIFIED		CHECKED:
FRACTION 3 PLACE DECIMAL 2 PLACE DECIMAL		APP. ENGR.
± 1/64	± .005 ± .01	SCALE:
ANGULAR ± 1-1/2'	SHEET 1 OF 2	<b>D-260204</b>
BREAK ALL SHARP EDGES AND REMOVE ALL BURRS		

260204



REPLACEMENT PARTS LIST			
ITEM	PART NO.	DESCRIPTION	QTY.
	260211	COMPLETE PUMP REPLACEMENT	1
	260210	SEAL KIT	1
201		SEAL WASHER	1
202	273408	PUMP CYLINDER	1
203		DUST RING	1
204		Y-SEAL	1
205D		PUMP PISTON	1
206		SPRING	1
207		SPRING CAP	1
208		RETAINING RING	1
209		JOINT PLATE	2
210		PIN	1
211D		PUMP BODY	1
212		ELASTIC PIN	1
214D		STRIKE PIN	1
217D		O-RING	2
220D		LEVER PLATE	1
221		NUT	1
222		ELASTIC WASHER	1
223		WASHER	1
224		BOLT WITH HOLE	1
225		BOLT WITH HOLE	1
226		NUT	1
227		ADJUSTING BOLT	1
228		O-RING	1
229		SPRING	1
230		SEAT OF STEEL BALL	1
231		STEEL BALL	1
232		STEEL BALL	1
237		SEAL WASHER	1
238		O-RING	1

REPLACEMENT PARTS LIST			
ITEM	PART NO.	DESCRIPTION	QTY.
239		SEAL WASHER	1
240		CYLINDER	1
241		HOUSING	1
242		BOLT	1
243		SEAL WASHER	1
244		RETAINING RING	1
245		WASHER	1
246		O-RING	1
247		CUP PACKING	1
248		PISTON	1
249		O-RING	1
250		PISTON ROD	1
251		SEAL WASHER	1
252		CYLINDER CAP	1
253		O-RING	1
254		DUST RING	1
256		STEEL BALL	1
257		STEEL BALL	1
258		SPRING	1
259		STEEL BALL	1
260		SCREW	1
261		CUP	1
262		SEAT OF STEEL BALL	1
263		SPRING	1
264		SEAT OF VALVE	1
265		O-RING	1
266		SPRING	1
267		CORE OF VALVE	1
268		RETAINING RING	1
269		PLUG	1

PRINT ISSUED

DEC 1, 2006

WESCO MANUFACTURING  
ENGINEERING DEPARTMENT

REV. APP. DATE REVISIONS

WESCO INDUSTRIAL PRODUCTS INC.  
NORTH WALES PENNA. 19454

PART NAME  
**LT-770DSL**  
SCISSOR LIFT TABLE

TOLERANCE UNLESS OTHERWISE SPECIFIED

FRACTION	3 PLACE DECIMAL	2 PLACE DECIMAL
± 1/64	± .005	± .01
ANGULAR ± 1-1/2'	SHEET 2 OF 2	

BREAK ALL SHARP EDGES AND REMOVE ALL BURRS

DRAWN:  
CHECKED:  
APP. ENGR.  
SCALE:  
**D-260204**