



Instruction Manual

Folding Handle Scissors Lift Table

Part Number: 260201



Note: Operator MUST read and understand these operating instructions before using this Folding Handle Scissors Lift Table.

TABLE OF CONTENTS

1	General Information	2
1.1	Description.....	2
1.2	Specifications.....	2
2	Safety Information.....	2
3	Assembly.....	3
4	Operation.....	3
4.1	Braking.....	3
4.2	Lifting.....	3
4.3	Lowering.....	3
5	Maintenance.....	3
6	Part Information.....	4
6.1	Frame Part Diagram.....	4
6.2	Frame Part List.....	5
6.3	Pump Part Diagram.....	6
6.4	Pump Part List.....	7

ATTENTION: TO INSURE SAFE AND EASY USE OF YOUR SCISSORS LIFT TABLE,
READ THESE INSTRUCTIONS ENTIRELY BEFORE USING.

1. GENERAL INFORMATION

1.1 DESCRIPTION

Thank you for purchasing a Folding Handle Scissor Lift Table. These tables feature a lever release handle, a chrome plated foot pedal and handle and a foot operated pump.

1.2 SPECIFICATIONS

Part Number	260201
Model	LT-330SL
Capacity	330 lbs
Table Size	17.75" x 27.5"
Table Thickness	.07"
Raised Height	28.5"
Lowered Height	8.5"
Caster Size	4" x 1"
Locking Caster	Yes
Weight	98 lbs
Overall Width	17.75"
Overall Height	37"
Overall Depth	36"

Materials and specifications are subject to change without notice.

2. SAFETY INFORMATION

- 1) Read these instructions carefully before operation and get to know the performance and operation requirements of the lift table.
- 2) Do not overload the hydraulic lift table. Overloading will cause damage to the hydraulic lift table.
- 3) It is forbidden for operators to stand or sit on the table during operation.
- 4) Do not insert hands or feet under the lowering table.
- 5) Brake the table when loading goods to prevent it from moving.
- 6) Off-set loading is forbidden when loading goods, goods should be distributed uniformly over the table.
- 7) Loose or unstable goods are not permitted to be loaded.
- 8) The table can't be moved when goods are being lifted.
- 9) The table can only be moved on flat and hard ground, do not use on sloped or rugged ground;
- 10) When putting goods on the table which has been hoisted, the weight of goods should be within rated load.

Note: The safety valve only works in the hoisting process, if the table has been hoisted, and then has overweight load on it, the safety valve will not work (also possibly damaging the unit).

- 11) When loading and unloading goods on hoisted table, don't drag goods in cross direction, which may cause serious off-set loading and make the table turn over.
- 12) When maintaining and repairing the table, the stand bar should be used to support fork arm in order to prevent table from falling (there should be no load on the table).

ATTENTION: TO INSURE SAFE AND EASY USE OF YOUR SCISSORS LIFT TABLE,
READ THESE INSTRUCTIONS ENTIRELY BEFORE USING.

3. DAILY INSPECTION

Daily inspection is effective to find any malfunction or fault on the lift table. Check the lift table for the following before operation:

- 1) Check for any scratches, bending or cracking on the lift table.
- 2) Check if there is any oil leakage from the cylinder.
- 3) Check the vertical creep of the table.
- 4) Check the smooth movement of the wheels.
- 5) Check the brake.
- 6) Check all bolts and nuts are tightened firmly.

CAUTION: Do not use lift table if any malfunction or fault is found.

4. OPERATION

4.1 Braking

CAUTION: Lift the brake when not moving it in order to prevent sudden movement.

The brake is equipped with the swivel caster on the right side.

- 1) Brake the wheel by pressing the brake pedal.
- 2) Release the brake by lifting up the brake pedal.

4.2 Lifting

Warning

- 1) Do not overload lift table. Stay within its rated capacity.
- 2) Do not side or end. Load must be distributed on at least 80% of table area.

Press the lifting pedal several times until the table reaches the desired position. The table does not elevate after reaching the highest position even if the lifting pedal is pressed. The table lowers slightly after reaching the highest position.

Model	LT-330SL
Part Number	260201
Max Capacity (lbs)	330

Note: The hydraulic cylinder is designed to hold the table. The nature of hydraulic systems cause the table to lower very slowly over an extended period of time. Please note the table does not stay at the same position indefinitely.

4.3 Lowering

Warning: Do not put foot or hand in scissors mechanism

- 1) Rotating the knob lowers the table.

5. MAINTENANCE

5.1 Lubricate each point described below every month

5.2 Change hydraulic oil every 12 months.

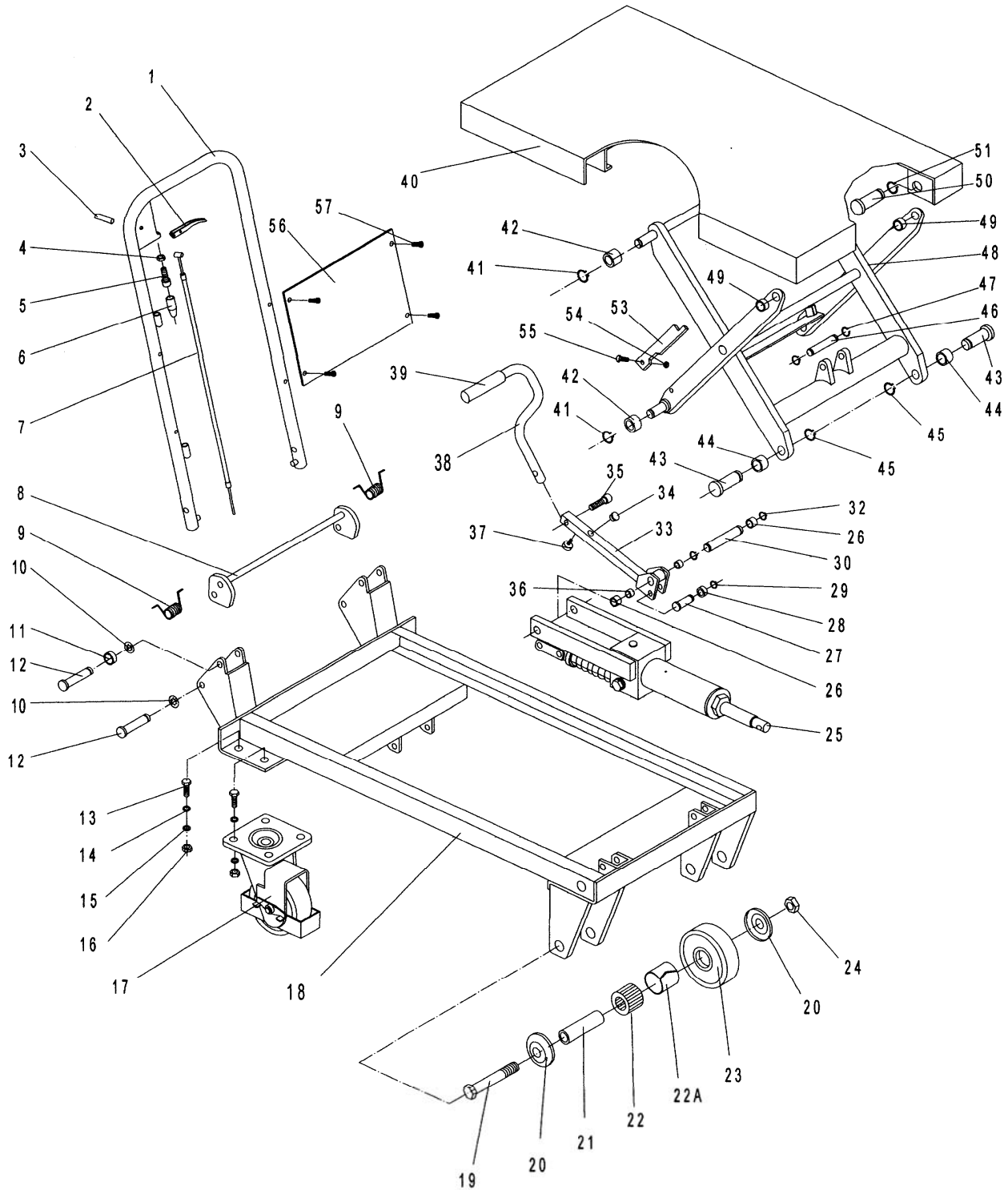
Lubricating Points

- 1) Fitting of Cylinder – Oil
- 2) Roller Friction Surface – Grease
- 3) Link Pin – Oil
- 4) Pedal Fitting Point – Oil
- 5) Grease Nipple - Grease

ATTENTION: TO INSURE SAFE AND EASY USE OF YOUR SCISSORS LIFT TABLE,
 READ THESE INSTRUCTIONS ENTIRELY BEFORE USING.

6. PART INFORMATION

6.1 FRAME PART DIAGRAM



ATTENTION: TO INSURE SAFE AND EASY USE OF YOUR SCISSORS LIFT TABLE,
READ THESE INSTRUCTIONS ENTIRELY BEFORE USING.

6. PART INFORMATION

6.2 FRAME PART LIST

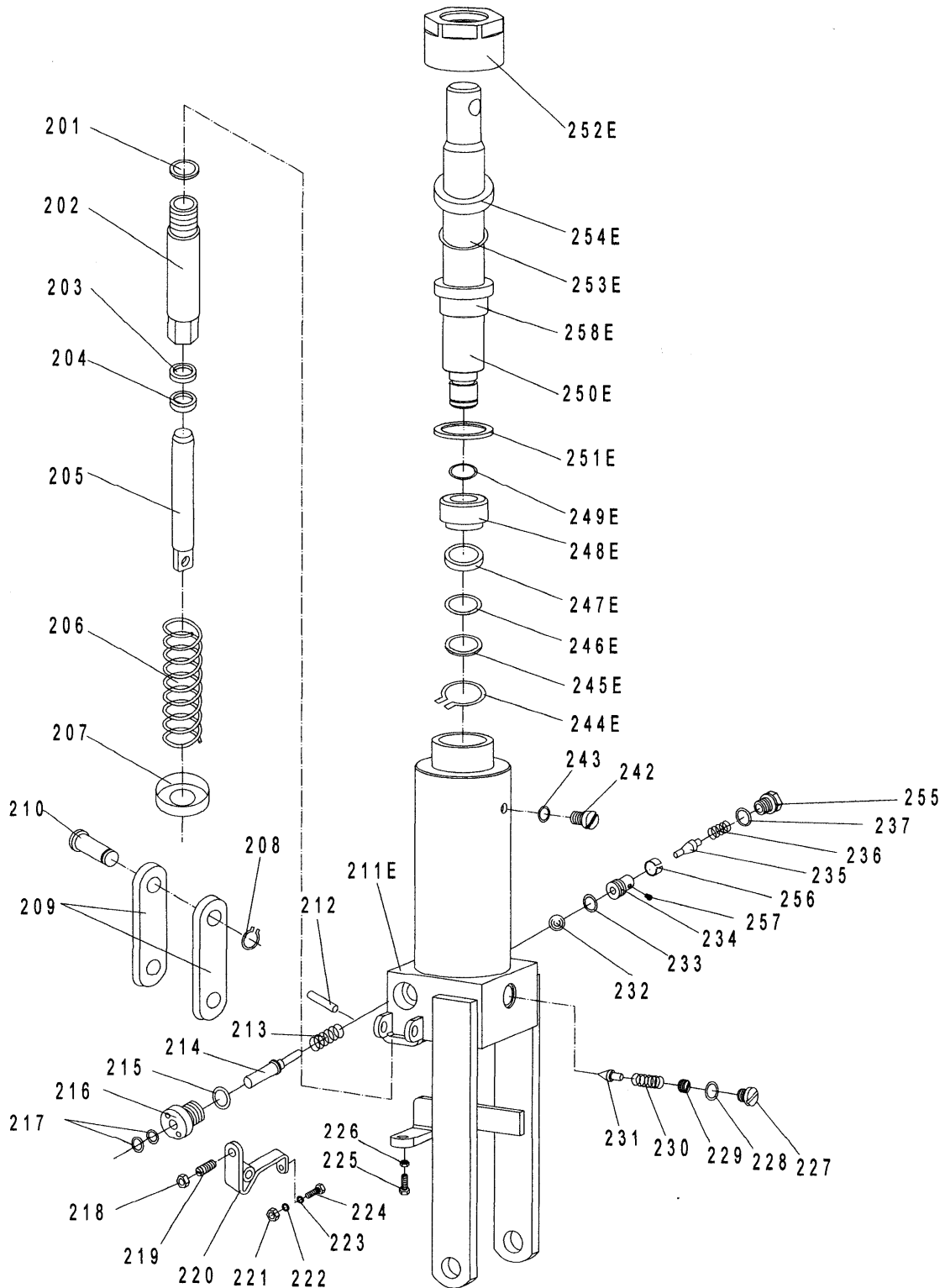
Item	Part Number	Item Description	Qty.
1	260277	Handle Grip	1
2	Kit: Handle Release Assembly 260250	Control Handle	1
3		Elastic Pin	1
4		Nut	1
5		Bolt with Hole	1
6		Jacket	1
7		Pull Line	1
8		Long Shaft	1
9	Spring	2	
10	Retaining Ring	3	
11	Washer	2	
12	Pin	4	
13	Bolt	8	
14	Washer	8	
15	Elastic Washer	8	
16	Nut	8	
17	273636	Universal Wheel	2
18	Frame	1	
19	Bolt	2	
20	Kit: Front Wheel Assembly 273637	Washer	4
21		Axle	2
22/22A		Bearing	4
23		Wheel	2
24	Nut	2	
25	Pump Unit	1	
26	Washer	2	
27	Pin	1	
28	Washer	1	

Item	Part Number	Item Description	Qty.
29		Retaining Ring	1
30		Pin	1
31			
32		Retaining Ring	2
33		Connecting	1
34		Cushion	1
35		Bolt	1
36		Bushing	2
37		Cushion	1
38		Pedal Bar	1
39		Protecting Cover	1
40		Table	1
41		Retaining Ring	4
42		Roller	4
43		Pin	2
44		Bushing	2
45		Retaining Ring	2
46		Pin	1
47		Retaining Ring	2
48		Fork Arm	1
49		Bushing	2
50		Pin	2
51		Retaining Ring	2
52		Elastic Pin	2
53		Support Plank	2
54		Screw	2
55		Nut	2

ATTENTION: TO INSURE SAFE AND EASY USE OF YOUR SCISSORS LIFT TABLE,
 READ THESE INSTRUCTIONS ENTIRELY BEFORE USING.

6. PART INFORMATION

6.3 PUMP PART DIAGRAM



ATTENTION: TO INSURE SAFE AND EASY USE OF YOUR SCISSORS LIFT TABLE,
READ THESE INSTRUCTIONS ENTIRELY BEFORE USING.

6. PART INFORMATION

6.4 PUMP PART LIST

Item	Part Number	Item Description	Qty.
	260454	Complete Pump Replacement	1
201		Seal Washer	1
202		Pump Cylinder	1
203		Dust Ring	1
204		Y-Seal	1
205		Pump Piston	1
206		Spring	1
207		Spring Cap	1
208		Retaining Ring	1
209		Joint Plate	2
210		Pin	1
211E		Pump Body	1
212		Elastic Pin	1
213		Spring	1
214		Strike Pin	1
215		Seal Washer	1
216		Axle Sleeve	1
217		O-Ring	2
218		Nut	1
219		Screw	1
220		Lever Plate	1
221		Nut	1
222		Elastic Washer	1
223		Washer	1
224		Bolt with Hole	1
225		Bolt with Hole	1
226		Nut	1
227		Plug	1
228		O-Ring	1
229		Adjusting Bolt	1

Item	Part Number	Item Description	Qty.
230		Spring	1
231		Spindle of Safety Valve	1
232		Steel Ball	1
233		O-Ring	1
234		Seat of Pumping Valve	1
235		Spindle of Pumping Valve	1
236		Spring	1
237		Seal Washer	1
238			
239			
240			
241			
242		Bolt	1
243		Seal Washer	1
244E		Retaining Ring	1
245E		Washer	1
246E		O-Ring	1
247E		Cup Packing	1
248E		Piston	1
249E		O-Ring	1
250E		Piston Rod	1
251E		Seal Washer	1
252E		Cylinder Cap	1
253E		O-Ring	1
254E		Dust Ring	1
255		Plug	1
256		Liquid Throttle Sheath	1
257		Bolt	1
258E		Sleeve	1