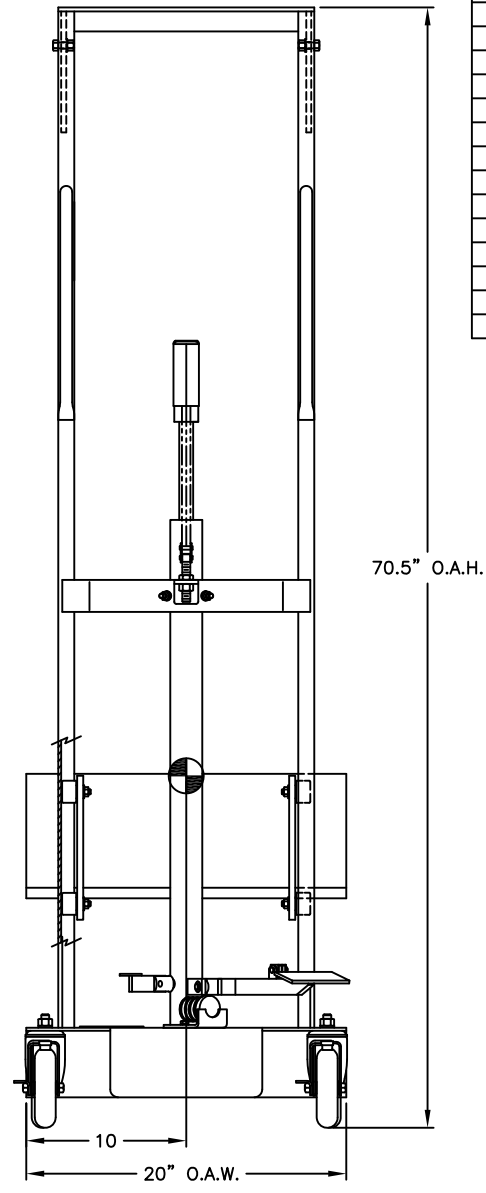
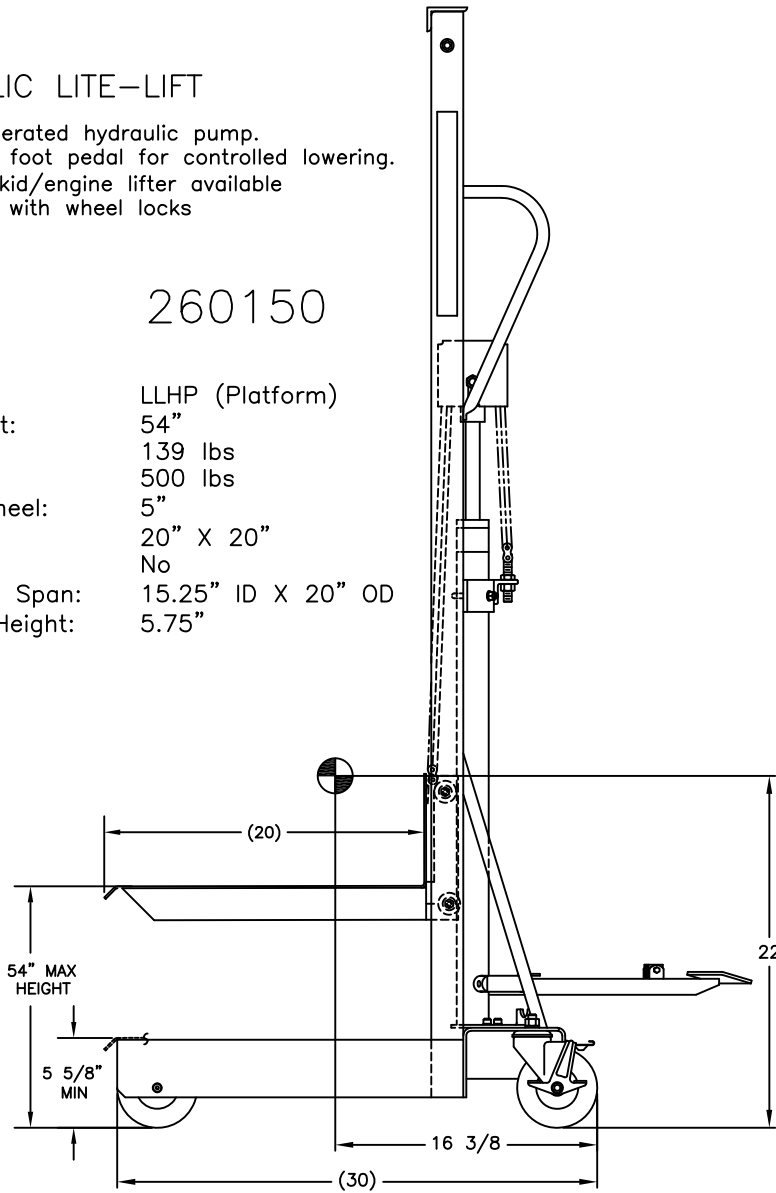


HYDRAULIC LITE-LIFT

- Foot operated hydraulic pump.
- Release foot pedal for controlled lowering.
- Small skid/engine lifter available
- Casters with wheel locks

P/N: 260150

Model: LLHP (Platform)
 Lift Height: 54"
 Weight: 139 lbs
 Capacity: 500 lbs
 Caster/Wheel: 5"
 Platform: 20" X 20"
 Boxed: No
 Front Leg Span: 15.25" ID X 20" OD
 Lowered Height: 5.75"



REPLACEMENT PARTS			
ITEM	PART NO.	DESCRIPTION	QTY.
1	051159	ASS'Y: JACK (54")	1
	050755	JACK BODY	1
	050756	JACK BASE	1
	050767	MAIN PISTON HARDWARE	1
	051153	MAIN PISTON	1
	051039	INNER CYLINDER	1
	051028	OUTER CYLINDER	1
	050757	OUTER CYLINDER HARDWARE	1
2	050468	ASS'Y: MAGNET/SPACER	1
3	052722	KIT: SEAL	1
4	050750	ASS'Y: PUMP VALVE	1
5	050752	ASS'Y: RELIEF PEDAL	1
6	050754	ASS'Y: PUMPING/RELEASE VALVE	1
7	260143	ASS'Y: ROLLER CARRIER	1
8	050769	ASS'Y: LIFT CHAIN	1
9	108974	WHEEL: 5 X 1-5/16"	2
10	108977	CASTER: SWIVEL STEM 5X1-5/16"	2
11	055345	ROLLER: PLATFORM	4

70.5" O.A.H.

10
20" O.A.W.

THIS DRAWING IN ALL PARTICULARS IS WESCO MFGR. CO. PROPERTY. ALL RIGHTS OF DESIGN, INVENTION OR USE OF ARE RESERVED.

PRINT ISSUED
 JAN. 24, 2006
 WESCO MANUFACTURING
 ENGINEERING DEPARTMENT

REV. ECH & DATE	WESCO MANUFACTURING CO. LANSDALE PENNA. 19446	
	PART NAME LLHP LITE-LIFT, HYD., PLATFORM, IND.	DRAWN: SKH 7-23-96 CHECKED: PS 8-23-96 APP. ENGR.
	TOLERANCE UNLESS OTHERWISE SPECIFIED	
	FRACTION 3 PLACE DECIMAL 2 PLACE DECIMAL ± 1/64 ± .005 ± .01	SCALE: 6" = 1"
	ANGULAR ± 1-1/2° SHEET 1 OF 1 BREAK ALL SHARP EDGES AND REMOVE ALL BURRS	C-260150 REV