

RNR MACHINERY MOVERS

Features:

- Heavy duty capacities up to 5 tons - the most economical way to lift and move large bulky loads.
- Swivel casters allow movement in any direction.
- Hand operated hydraulic jack for easy lifting and controlled lowering of loads.
- All models supplied with hooks for recommended optional LB-1 or LB-2 load binders.

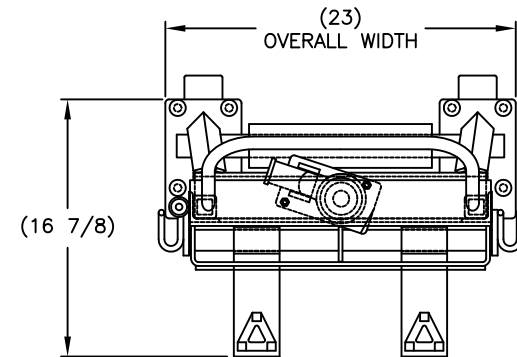
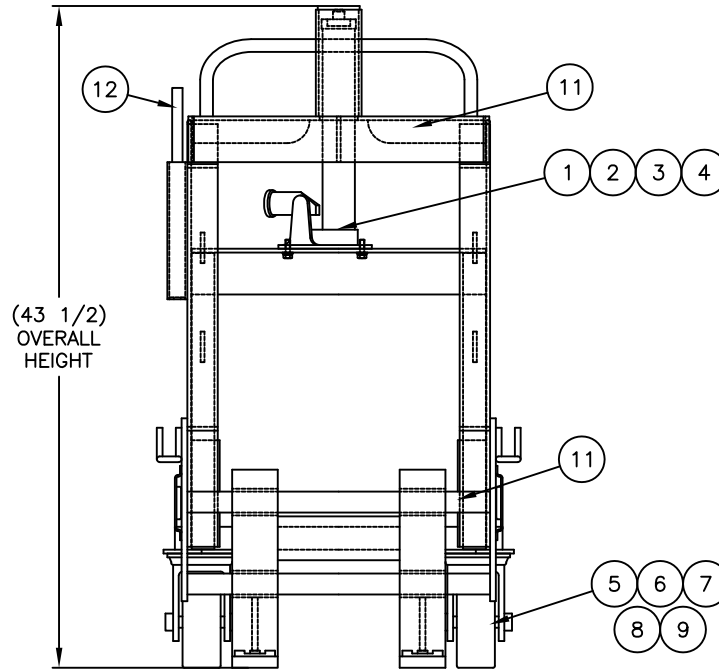
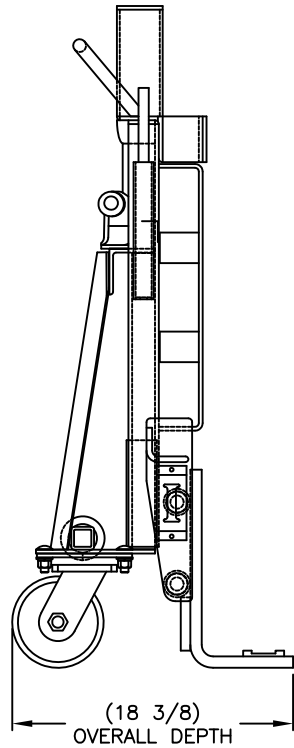
Model: **RNR-64**
 Lift: 12"
 Casters: 6" X 2.5"
 Steel
 Weight: 359 lbs/pair
 Capacity: 6,000 lbs/pair
 OD Fork Span Range: 6" to 19.5"

REPLACEMENT PARTS LIST

ITEM	P/N	DESCRIPTION	QTY
1	270426	JACK: 1-1/2 TON, RNR-2/6	2
2	108149	SCREW: HEX HD CAP (5/16-18X1)	4
3	100170	WASHER: LOCK 5/16 MED SPLIT	4
4	100069	WASHER: FLAT (PLTD) 5/16 SAE	4
5	108835	CASTER: SWIVEL 6X2-1/2 STEEL	4
6	109637	BOLT: CARRIAGE 1/2-13X1-1/2"	16
7	108200	WASHER: FLAT (PLTD) 1/2" SAE	16
8	108228	WASHER: LOCK (PLTD) 1/2" MED	16
9	100366	NUT: HEX (PLTD) 1/2-13	16
10	106172	TUBING: FLEXO	2
11	106167	STRIP: RUBBER	2
12	051717	HANDLE: JACK (RNR-2/6/8/10)	1

OPTION: LOAD BINDER ACCESSORY

	260096	LB-1 LOAD BINDER SET W/ DELTA RINGS	1
	260147	LB-2 LOAD BINDER SET W/ "E" TRACK HOOKS	1



THIS DRAWING IN ALL PARTICULARS IS WESCO INDUSTRIAL PRODUCTS, LLC PROPERTY. ALL RIGHTS OF DESIGN, INVENTION OR USE OF ARE RESERVED.

PRINT ISSUED

JAN 23, 2020

WESCO MANUFACTURING
ENGINEERING DEPARTMENT

REV.	EDN & DATE	REVISIONS	APP.
WESCO INDUSTRIAL PRODUCTS, LLC NORTH WALES PENNA. 19454			
PART NAME		DRAWN: PS 7-25-00	
RNR-64		CHECKED:	
TOLERANCE UNLESS OTHERWISE SPECIFIED		APP. ENGR.	
FRACTION	3 PLACE DECIMAL	2 PLACE DECIMAL	SCALE:
± 1/64	± .005	± .01	
ANGULAR ± 1-1/2'	SHEET 1 OF 1		C-260138
BREAK ALL SHARP EDGES AND REMOVE ALL BURRS			