

RNR MACHINERY MOVERS

Features:

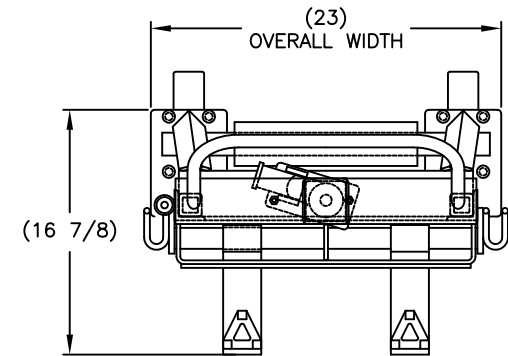
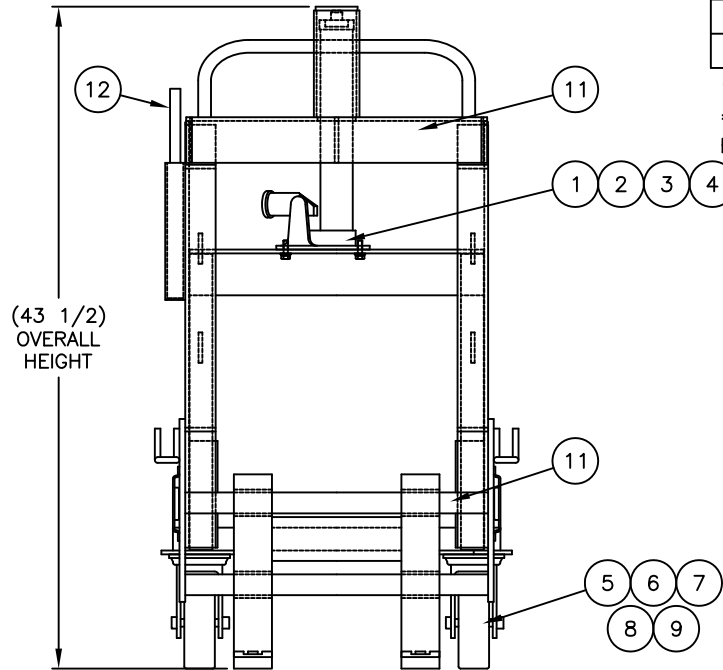
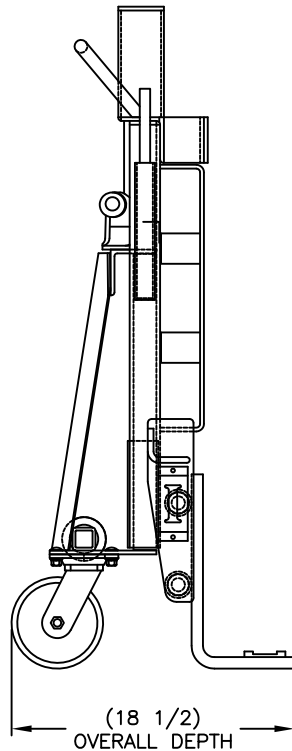
- Heavy duty capacities up to 5 tons – the most economical way to lift and move large bulky loads.
- Swivel casters allow movement in any direction.
- Hand operated hydraulic jack for easy lifting and controlled lowering of loads.
- All models supplied with hooks for recommended optional LB-1 or LB-2 load binders.

Model: **RNR-4P**
 Lift: 12"
 Casters: 6" X 2"
 Polyurethane
 Weight: 313 lbs/pair
 Capacity: 4,000 lbs/pair
 OD Fork Span Range: 5" to 19.5"

REPLACEMENT PARTS LIST

ITEM	P/N	DESCRIPTION	QTY
** 1	270426	JACK: 1 1/2 TON, 12" LIFT	2
2	108149	SCREW: HEX HD CAP (5/16-18X1)	4
3	100170	WASHER: LOCK 5/16 MED SPLIT	4
4	100069	WASHER: FLAT (PLTD) 5/16 SAE	4
5	108842	CASTER: SWIVEL 6x2", (POLY)	4
6	109642	BOLT: CARRIAGE 3/8-16X1"	16
7	108200	WASHER: FLAT (PLTD) 1/2" SAE	16
8	108228	WASHER: LOCK (PLTD) 1/2" MED	16
9	100366	NUT: HEX (PLTD) 1/2-13	16
10	106172	TUBING: FLEXO	2
11	106167	STRIP: RUBBER	2
12	051717	HANDLE: JACK (R-N-R)	1
*	051716	HANDLE: JACK (RNR-4/4P)	1
OPTION: LOAD BINDER ACCESSORY			
	260096	LB-1 LOAD BINDER SET W/ DELTA RINGS	1
	260147	LB-2 LOAD BINDER SET W/ "E" TRACK HOOKS	1

(* FOR UNITS MANUFACTURED BEFORE 02/2014)
 **AFTER 2155XX SERIAL NUMBERS USE 12" JACK (KIT 270426)
 BEFORE 2148XX SERIAL NUMBERS USE 6" JACK (REPLACEMENT N/A)



THIS DRAWING IN ALL PARTICULARS IS WESCO INDUSTRIAL PRODUCTS, LLC PROPERTY. ALL RIGHTS OF DESIGN, INVENTION OR USE OF ARE RESERVED.

PRINT ISSUED

JAN 23, 2020

WESCO MANUFACTURING
ENGINEERING DEPARTMENT

REV. ECH & DATE	APP. REVISIONS		WESCO INDUSTRIAL PRODUCTS, LLC NORTH WALES PENNA. 19454	
	PART NAME		RNR-4P DRAWN: PS 7-25-00	
	TOLERANCE UNLESS OTHERWISE SPECIFIED		CHECKED: APP. ENGR.	
	FRACTION 3 PLACE DECIMAL 2 PLACE DECIMAL ± 1/64 ± .005 ± .01		SCALE: C-260092	
ANGULAR ± 1-1/2° SHEET 1 OF 1 BREAK ALL SHARP EDGES AND REMOVE ALL BURRS		REV		