

RNR MACHINERY MOVERS

Features:

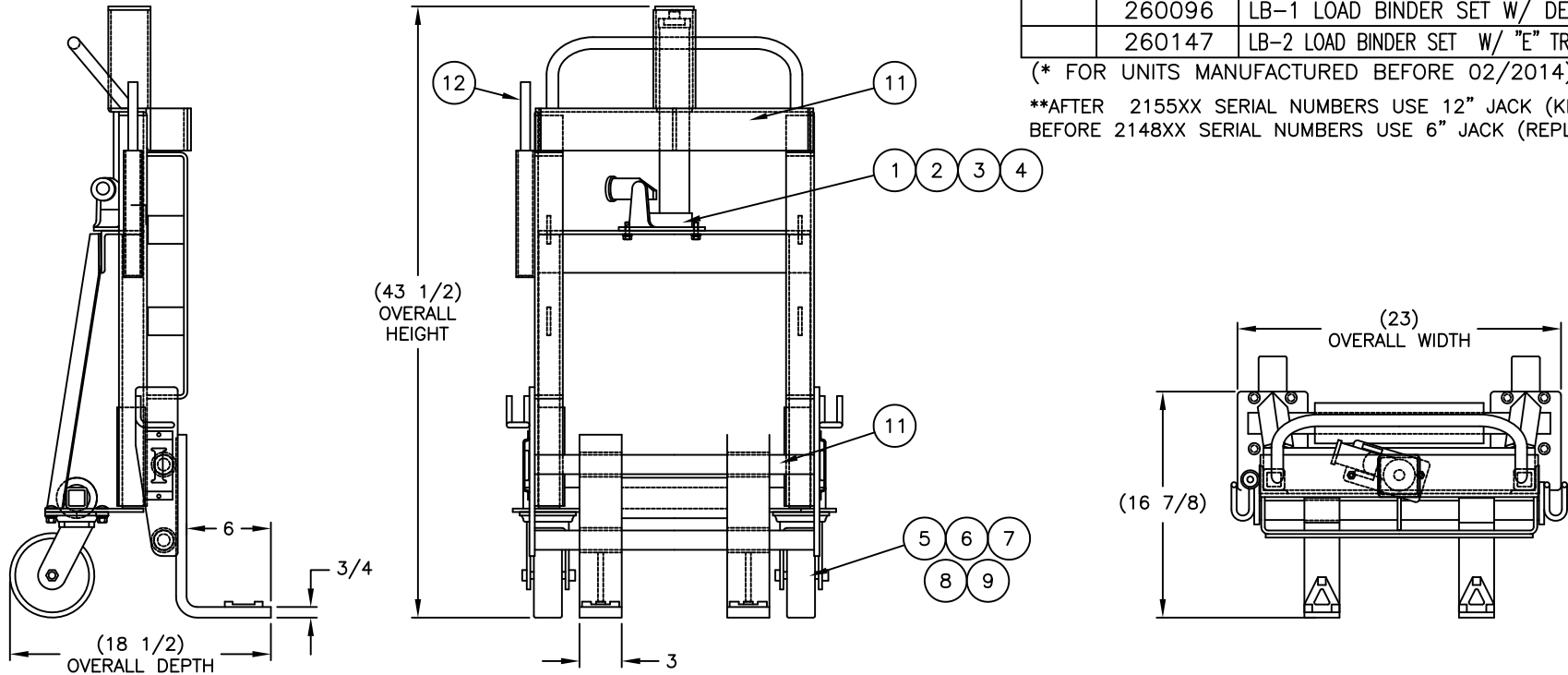
- Heavy duty capacities up to 5 tons – the most economical way to lift and move large bulky loads.
- Swivel casters allow movement in any direction.
- Hand operated hydraulic jack for easy lifting and controlled lowering of loads.
- All models supplied with hooks for recommended optional LB-1 or LB-2 load binders.

Model: **RNR-4**
 Lift: 12"
 Casters: 6" X 2"
 Steel
 Weight: 315 lbs/pair
 Capacity: 4,000 lbs/pair
 OD Fork
 Span Range: 5" to 19.5"

REPLACEMENT PARTS LIST

| ITEM | P/N | DESCRIPTION | QTY |
|-------------------------------|--------|---|-----|
| ** 1 | 270426 | JACK: 1 1/2 TON, 12" LIFT | 2 |
| 2 | 108149 | SCREW: HEX HD CAP (5/16-18X1) | 4 |
| 3 | 100170 | WASHER: LOCK 5/16 MED SPLIT | 4 |
| 4 | 100069 | WASHER: FLAT (PLTD) 5/16 SAE | 4 |
| 5 | 108834 | CASTER: SWIVEL 6x2" (STEEL) | 4 |
| 6 | 109642 | BOLT: CARRIAGE 3/8-16X1" | 16 |
| 7 | 108200 | WASHER: FLAT (PLTD) 1/2" SAE | 16 |
| 8 | 108228 | WASHER: LOCK (PLTD) 1/2" MED | 16 |
| 9 | 100366 | NUT: HEX (PLTD) 1/2-13 | 16 |
| 10 | 106172 | TUBING: FLEXO | 2 |
| 11 | 106167 | STRIP: RUBBER | 2 |
| 12 | 051717 | HANDLE: JACK (R-N-R) | 1 |
| * | 051716 | HANDLE: JACK (RNR-4/4P) | 1 |
| OPTION: LOAD BINDER ACCESSORY | | | |
| | 260096 | LB-1 LOAD BINDER SET W/ DELTA RINGS | 1 |
| | 260147 | LB-2 LOAD BINDER SET W/ "E" TRACK HOOKS | 1 |

(* FOR UNITS MANUFACTURED BEFORE 02/2014)
 **AFTER 2155XX SERIAL NUMBERS USE 12" JACK (KIT 270426)
 BEFORE 2148XX SERIAL NUMBERS USE 6" JACK (REPLACEMENT N/A)



THIS DRAWING IN ALL PARTICULARS IS WESCO INDUSTRIAL PRODUCTS, LLC PROPERTY. ALL RIGHTS OF DESIGN, INVENTION OR USE OF ARE RESERVED.

PRINT ISSUED

JAN 23, 2020

WESCO MANUFACTURING
 ENGINEERING DEPARTMENT

| | | | |
|--|--------------------------------|-----------------|-------------------|
| REV. ECH & DATE | WESCO INDUSTRIAL PRODUCTS, LLC | | APP. |
| | NORTH WALES | | PENNA. 19454 |
| | PART NAME | | DRAWN: PS 7-25-00 |
| | RNR-4 | | CHECKED: |
| TOLERANCE UNLESS OTHERWISE SPECIFIED | | | APP. ENGR. |
| FRACTION | | 3 PLACE DECIMAL | 2 PLACE DECIMAL |
| ± 1/64 | | ± .005 | ± .01 |
| ANGULAR ± 1-1/2' | | SHEET 1 | OF 1 |
| BREAK ALL SHARP EDGES AND REMOVE ALL BURRS | | | SCALE: |
| C-260087 | | | REV |