

260063

FOOT PUMP HYDRAULIC LIFT TABLES

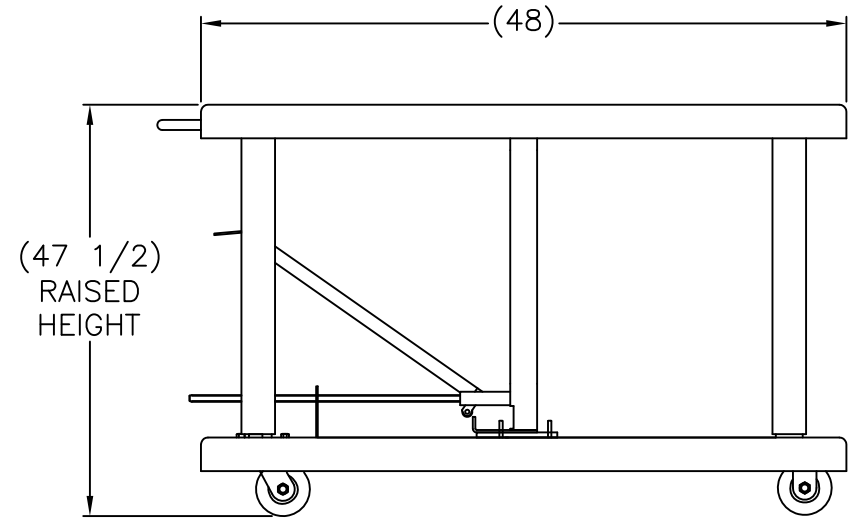
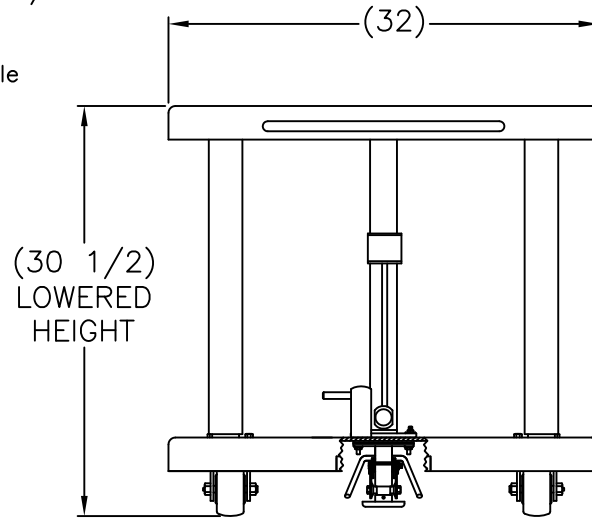
- Capacity ranges from 200 to 6,000 lbs.
- Solid steel top and base construction.
- Floor locks are standard on all 500+ lbs capacity tables.
- Casters provide easy mobility.

MEDIUM & HEAVY DUTY TABLES

- 2 rigid and 2 swivel 6" phenolic resin roller bearing casters.
- LTL models feature 4" casters and 3/8" lift per stroke.
- LT models feature 6" casters.
- Four support posts and push handle
- Foot operated floor lock.

P/N **260063**

Model: LTL-20-3248
 Weight: 350 lbs
 Table Size: 32" x 48"
 Lowered Height: 30.5"
 Raised Height: 47.5"
 Support Posts: Four
 Caster Size: 4"
 Capacity: 2,000 lbs



REPLACEMENT PARTS LIST

ITEM	PART NO.	DESCRIPTION	QTY.
1	270271	KIT: JACK, LTL-3248	1
2	050777	KIT: ASS'Y PUMPING PEDAL (LTL-20-3248)	1
3	050779	KIT: HANDLE RELIEF (LTL-20-3248)	1
4	050754	KIT: PUMPING RELEASE VALVE	1
*	052722	KIT: SEAL KIT (FOR UNITS AFTER 3/97)	1
6	150001	FLOOR LOCK	1
7	051397	SHIM : FLOOR LOCK	1
8	108316	PEDAL RETURN SPRING	1
9	054265	CASTER: SWIVEL	2
10	VERIFY	WHEEL 053770 OR CASTER 054271	2

*SEAL KIT FOR UNITS PRIOR 3/97 NOT AVAILABLE

THIS DRAWING IN ALL PARTICULARS IS WESCO INDUSTRIAL PRODUCTS INC. PROPERTY. ALL RIGHTS OF DESIGN, INVENTION OR USE OF ARE RESERVED.

PRINT ISSUED

OCT 23, 2006

WESCO MANUFACTURING
ENGINEERING DEPARTMENT

REV.	ECN & DATE	REVISIONS	APP	
			APP ENGR.	
WESCO INDUSTRIAL PRODUCTS INC.			DRAWN:	
NORTH WALES			PENNA. 19454	
PART NAME			CHECKED:	
LTL-20-3248			APP. ENGR.	
TOLERANCE UNLESS OTHERWISE SPECIFIED			SCALE:	
FRACTION 3 PLACE DECIMAL 2 PLACE DECIMAL			C-260063	
± 1/64 ± .005 ± .01			REV	
ANGULAR ± 1-1/2"			SHEET 1 OF 1	
BREAK ALL SHARP EDGES AND REMOVE ALL BURRS				