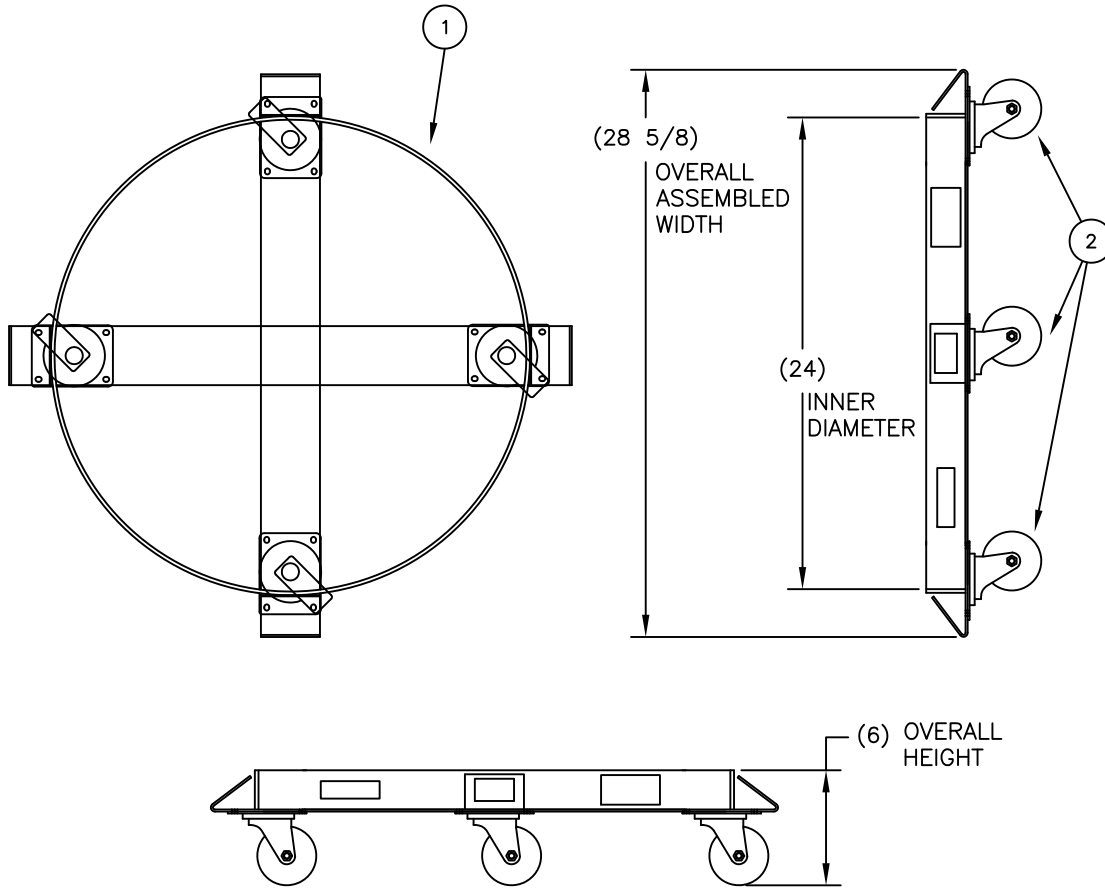


240196

REPLACEMENT PARTS LIST

1	170774	55GAL STAINLESS DOLLY	1
2	170776	CASTER SET: 3" HR W/ SS RIG	1



STAINLESS STEEL DRUM DOLLIES

- Superior design places drum chime over caster kingpin for greater load stability and long cater life.
- All welded 304 stainless steel frame construction with reinforced outriggers.
- Four bolt on 3" swivel casters.
- I.D. varies among models.
- Model available for 30, 55, and 85 gallon drums.

P/N 240196

Model: SS5-HRSS
 Capacity: 900 lbs
 Weight: 24 lbs
 Unit I.D.: 24"
 Drum size: 55 gal.
 Caster Type: Hard Rubber
 Rig Type: Stainless
 Box: Yes

THIS DRAWING IN ALL PARTICULARS IS WESCO INDUSTRIAL PRODUCTS INC. PROPERTY. ALL RIGHTS OF DESIGN, INVENTION OR USE OF ARE RESERVED.

<p>PRINT ISSUED</p> <div style="border: 1px solid black; padding: 5px; width: fit-content; margin: 0 auto;"> <p>NOV. 15, 2006</p> </div> <p>WESCO MANUFACTURING ENGINEERING DEPARTMENT</p>	R	W	S	APP	<p>REVISIONS</p>	<p>WESCO INDUSTRIAL PRODUCTS INC.</p> <p>NORTH WALES PENNA. 19454</p>				
	11-09-12	UPDATED PARTS LIST				ECN & DATE	<p>PART NAME</p> <p style="text-align: center; font-size: 1.2em;">SS5-HRSS</p> <p style="text-align: center;">DRUM DOLLIES</p>	DRAWN:		
	A	REV.				TOLERANCE UNLESS OTHERWISE SPECIFIED	CHECKED:			
	FRACTION			3 PLACE DECIMAL		2 PLACE DECIMAL	APP. ENGR.			
± 1/64			± .005	± .01	SCALE: 1" = 8"					
ANGULAR ± 1-1/2°			SHEET	1	OF	1	A-240196 REV A			
BREAK ALL SHARP EDGES AND REMOVE ALL BURRS										