

ATTENTION: TO ENSURE SAFE AND EASY USE OF YOUR WESCO DRUM HANDLER, READ THESE INSTRUCTIONS BEFORE USING.

Description

The Wesco Ergonomic Drum Handler DM-800s are designed specifically for lifting, rotating and transporting 55 gallon steel and poly drums.

This product is distributed by:

Wesco Industrial Products, LLC
 1250 Welsh Road
 North Wales, PA 19454
 Tel: 215-699-7031 Fax: 215-699-3836

Contact the factory for parts information and ordering.
 Visit us on the web at www.wescomfg.com

Unpacking

When unpacking the Wesco Product, check carefully for shipping damage and missing parts. If damage has occurred or any parts are missing, file a claim with the delivering carrier within 24 hours and notify the dealer from whom the unit was purchased.

Warranty Repairs

If the unit does not work properly, contact your dealer or the factory (215-699-7031) for units less than 90 days old.

Non-Warranty Service

If units are older than 90 days, repairs can be made easily on site with factory supplied parts.

NOTE: Do not send units to the factory for service without first obtaining a "Return Merchandise Authorization" (RMA) number from the customer service department. We will not be responsible for merchandise returned without proper authorization.

General Safety Information

Warning: The Wesco DM-800 Ergonomic Drum Handler is designed for specific functions. To ensure proper use, the following instructions must be adhered to:

- (1) Maximum capacity
 - Half Drum 500 lbs. (227 kgs)
 - Full Drum 800 lbs. (363 kgs)
- (2) **DO NOT** exceed rated capacity. Injury to persons or property may result from overloading and misuse.
- (3) This product is designed for use on level, improved surfaces only.
- (4) **DO NOT** transport load more than 3" above floor.
- (5) Transport load in upright position only.
- (6) Do not leave unit unattended with load in raised position.
- (7) Keep hands and feet clear of clamping saddle, chain, mast, and wheels.
- (8) Clamping saddle **must** be in full contact with drum rim and clamped to drum prior to lifting.
- (9) Be certain rim of fiber or plastic drum is able to withstand the stress of drum lifting procedure.
- (10) Lubricate all moving parts periodically. Make sure all hardware is properly tightened at all times.
- (11) Tilt load with caution, making sure to maintain control.
- (12) Remove unit from service if parts are missing or loose.

Maintenance

- (1) Lubricate moving parts periodically. Pay special attention to gears, they should be greased at all times.
- (2) Check bolts and nuts frequently for tightness.

Specifications

P/N	MODEL	CAPACITY		WEIGHT	LIFT HEIGHT	LIFT PER STROKE	OVERALL DIMENSIONS		
		HALF DRUM	FULL DRUM				LENGTH	WIDTH	HEIGHT
240189	DM-1100-MDT	500 lbs	800 lbs	415 lbs	61-3/8"	1"	52"	48"	48-1/4"

LIMITED WARRANTY

WESCO INDUSTRIAL PRODUCTS (WESCO) warrants to the purchaser of this product for a period of ninety (90) days from the date of purchase that this product shall be free of defects in material and/or workmanship, as follows:

1. WESCO will supply, at no charge, new or rebuilt replacements for any part that fails through a defect in material and/or workmanship during the warranty period. To obtain warranty service, you must deliver the product prepaid, to the WESCO factory.
 2. This warranty does not cover any product or product part which has been subject to accident, misuse, abuse or negligence. WESCO shall only be liable under this warranty if the product is used the manner intended by the manufacturer as specified in the written instructions furnished with this product.
- REPAIR OR REPLACEMENT AS PROVIDED UNDER THIS WARRANTY IS THE EXCLUSIVE REMEDY OF THE PURCHASER. ANY EXPRESS WARRANTY NOT PROVIDED IN THIS WARRANTY DOCUMENT, AND ANY REMEDY FOR BREACH OF CONTRACT THAT, BUT FOR THIS PROVISION, MIGHT ARISE BY IMPLICATION OR OPERATION OF LAW, IS HEREBY EXCLUDED AND DISCLAIMED. UNDER NO CIRCUMSTANCES SHALL WESCO BE LIABLE TO PURCHASER OR ANY OTHER PERSON FOR ANY INCIDENTAL OR CONSEQUENTIAL DAMAGES, WHETHER ARISING OUT OF BREACH OF WARRANTY, EXPRESS OR IMPLIED, A BREACH OF CONTRACT OR OTHERWISE. EXCEPT TO THE EXTENT PROHIBITED BY APPLICABLE LAW, ANY IMPLIED WARRANTY OF MERCHANTABILITY AND FITNESS FOR ANY PARTICULAR PURPOSE ARE EXPRESSLY LIMITED IN DURATION TO THE DURATION OF THIS LIMITED WARRANTY.

Some states do not allow the exclusion or limitation of incidental or consequential damages, or allow limitations on how long any implied warranty lasts, so the above limitations may not apply to you. This warranty gives you specific legal rights, and you may also have other rights which vary from state to state.

ATTENTION: TO ENSURE SAFE AND EASY USE OF YOUR WESCO DRUM HANDLER, READ THESE INSTRUCTIONS BEFORE USING.

Operation

Saddle Attachment

1. Move Unit towards drum until back of saddle contacts drum.
2. Engage floor locks.
3. Attach lifter saddle around center of drum (between rolling hoops) and secure with chain and ratchet tightener.
 - a. Wrap chain tightly around front of barrel.
 - b. Feed chain through ratchet teeth
 - c. Engage ratchet handle to lock into pawl.
4. Lift up on pawl to release ratchet.
5. Repeat steps 3 & 4, pulling more links through the ratchet teeth, to ensure tight grip.



Figure 1
Step 3B



Figure 2
Step 3C



Figure 3
Step 4

Transportation

1. Move unit towards drum until back of saddle contacts drum.
2. Engage floor locks.
3. Attach lifter saddle around center of drum (between rolling hoops) and secure with chain and tightener.
4. Raise drum off the ground, 3" maximum.
5. Disengage floor locks and transport drum to destination.

Drum Rotation

1. Engage floor locks.
2. Attach lifter saddle around center of drum (between rolling hoops) and secure with chain and tightener. (See "Saddle Attachment Operation" above)
3. Raise to desired height.
4. Disengage spring pin by lifting up and rotating 90 degrees.
5. Pull handle to rotate drum to desired position then re-engage spring pin. Note: Saddle will rotate until locking into second positional hole.
6. Re-engage pin until pouring completed.

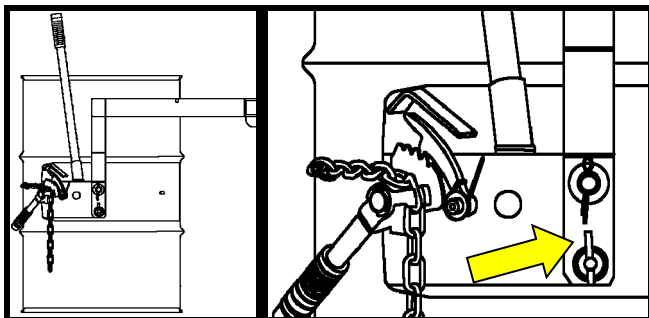


Figure 4

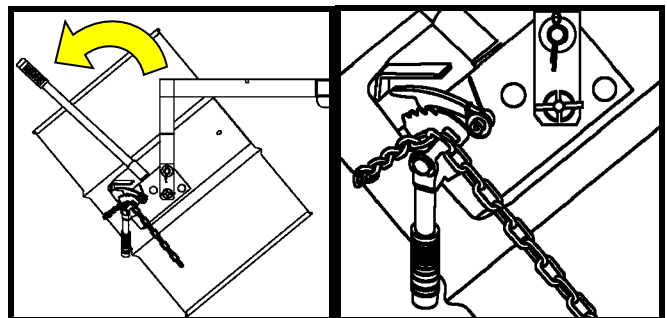


Figure 5

ATTENTION: TO ENSURE SAFE AND EASY USE OF YOUR WESCO DRUM HANDLER, READ THESE INSTRUCTIONS BEFORE USING.

Replacement Parts

Item	P/N	Description	Qty
1	055085	Drum Grab Assembly	1
2	055090	Guard Assembly	1
3	055016	40" Hydraulic Jack – Foot Pump	1
4	055596	Outrigger Weldment-RH	1
5	055597	Outrigger Weldment-LH	1
6	055595	Carriage Weldment	1
7	108819	Shoulder Bolt: 1/2-13 X 4-1/4" Lg.	2
8	108200	Flat Washer: 1/2"Sae, Pltd	4
9	108177	Nut Lock (Pltd) 1/2-13 w/ Nylock	2
10	108503	Lift Chain	2.66'
11	051618	Chain Roller Guard	1
12	054267	Swivel Caster Assembly	2
13	108175	Hex Nut (5/16-18)	8
14	100170	Lockwasher (5/16)	8
15	100069	Flat Washer (5/16 SAE)	8
16	108149	Hex Hd Cap Scr (5/16-18 X 1")	8
17	053769	Wheel Assembly	2
18	108174	Lock Hex Nut (1/2-13 2 Way Rev)	4
19	105311	Spanner Bushing	2
20	108161	Hex Hd Cap Scr (1/2-13 X 3 1/2)	4
21	108427	Flat Washer (1/4 USS)	4
22	053092	Carriage Roller	6
23	100457	Ring: Retaining 1/2", Hvy. Ext. Bl Phos	6

Item	P/N	Description	Qty
24	108941	Flat Washer (1 OD X 1/2 ID)	12
25	100642	Hex Nut (3/8-16)	2
26	105080	Soc Hd Cap Scr (3/8-16 X 1-1/4)	2
27	055006	Chain Anchor Adapter	1
28	108502	Connecting Link	2
29	492038	Floor Lock Assembly	1
30	108226	Handgrip: Black 1"	3
31	052723	Hydraulic Pump Seal Kit	1
32	055012	Relief Pedal Assembly	1
33	108967	Chain Roller	1
34	054061	Weldment: Saddle DI-55	1
35	270411	Kit: Tightener Claw	1
36	150321	Claw	1
37	053741	Plunger: DL-55/ML-55	1
38	108470	Spring: Compression	1
39	108599	Pin: Spring 3/16 Dia. X 3"	1
40	051991	Assembly: Ratchet Handle	1
41	054071	Ratchet: Casting	1
42	101242	Handgrip, Black	1
43	053417	Chain: Saddle (36")	1
44	054063	Handle: Turnover	1
45	151219	Pin: Hairpin Style .148 X 4"	1
46	050750	Pumping Pedal Assembly	1

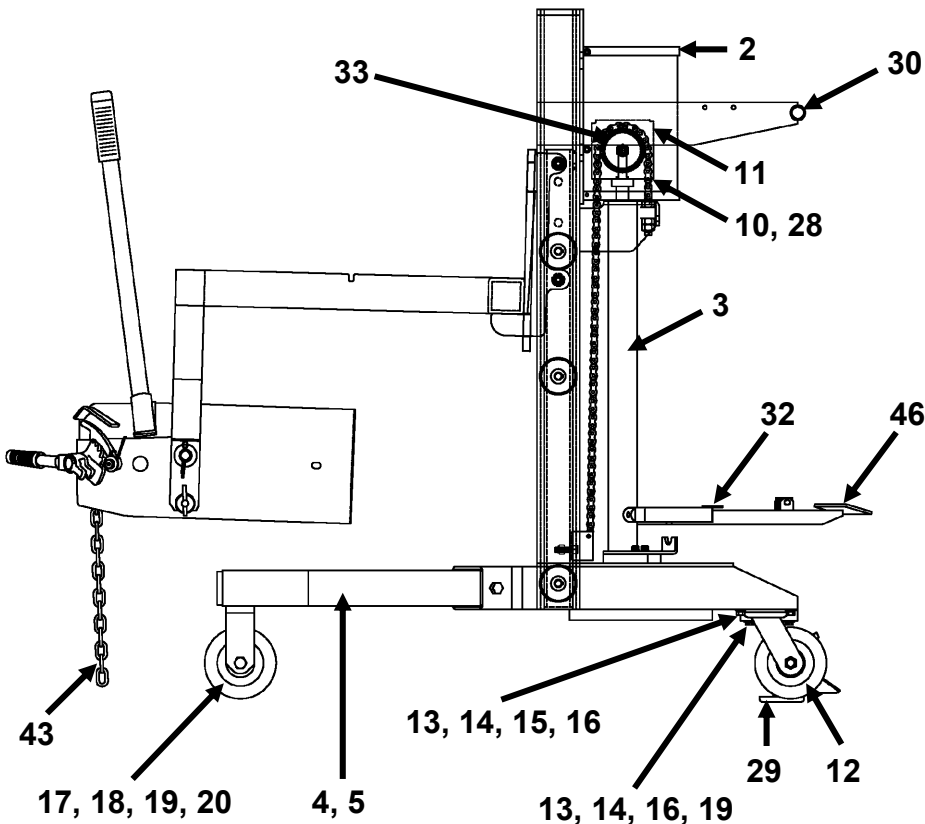


Figure 6

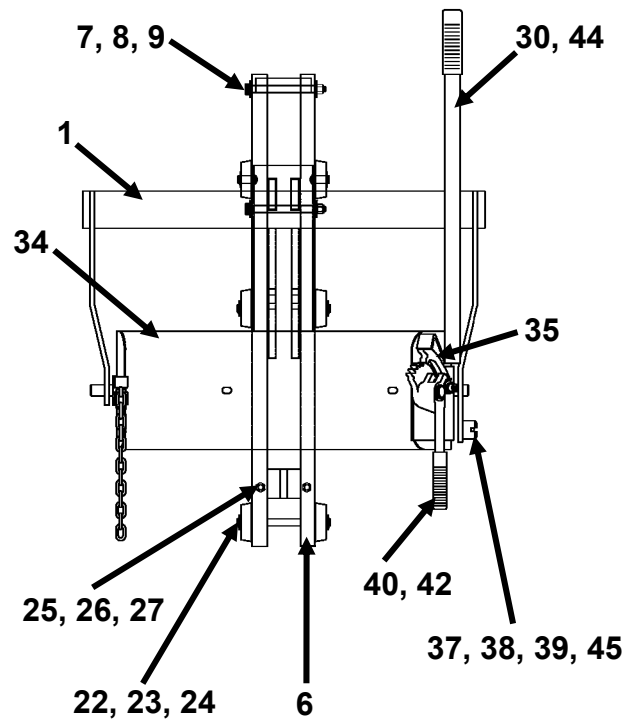


Figure 7