

REPLACEMENT PARTS LIST			
ITEM	PART NO.	DESCRIPTION	QTY.
1	055085	DRUM GRAB ASSEMBLY	1
2	054923	EXTENDED GUARD ASSEMBLY	1
3	051169	HYDRAULIC JACK ASSEMBLY	1
4	055596	OUTRIGGER WELDMENT-RH	1
5	055597	OUTRIGGER WELDMENT-LH	1
6	055595	CARRIAGE WELDMENT	1
7	108819	SHOULDER BOLT:1/2-13 X 4-1/4" LG.	2
8	108200	FLAT WASHER:1/2"SAE, PLTD	4
9	108177	NUT LOCK (PLTD)1/2-13 w/NYLOCK	2
10	108503	LIFT CHAIN	2.66 FT
11	051618	CHAIN ROLLER GUARD	1
12	054267	SWIVEL CASTER ASSEMBLY	2
13	108175	HEX NUT (5/16-18)	8
14	100170	LOCKWASHER (5/16)	8
15	100069	FLAT WASHER (5/16 SAE)	8
16	108149	HEX HD CAP SCR (5/16-18 X 1")	8
17	053769	WHEEL ASSEMBLY	2
18	108174	LOCK HEX NUT (1/2-13 2 WAY REV)	4
-	-	-NOT USED-	-
20	108161	HEX HD CAP SCR (1/2-13 X 3 1/2)	4
-	-	-NOT USED-	-
22	053092	CARRIAGE ROLLER	6
23	100457	RING: RETAINING 1/2", Hvy. EXT. BL PHOS	6
24	108941	FLAT WASHER (1 OD X 1/2 ID)	12
25	100642	HEX NUT (3/8-16)	2
26	105080	SOC HD CAP SCR (3/8-16 X 1-1/4)	2
27	055006	CHAIN ANCHOR ADAPTER	1
28	108502	CONNECTING LINK	2
-	-	-NOT USED-	-
30	108226	HANDGRIP	3
31	052723	HYDRAULIC PUMP SEAL KIT	1
-	-	-NOT USED-	-
33	108967	CHAIN ROLLER	1
34	054061	WELDMENT: SADDLE DL-55	1
35	270411	KIT: TIGHTENER CLAW	1
35	150321	CLAW	1
37	053741	PLUNGER: DL-55/ML-55	1
38	108470	SPRING: COMPRESSION	1
39	108599	PIN: SPRING 3/16 DIA. X 3"	1
40	051991	ASS'Y: RATCHET HANDLE	1
41	054071	RATCHET: CASTING	1
42	101242	HANDGRIP, BLACK	1
43	053417	CHAIN: SADDLE (36")	1
44	054063	HANDLE: TURNOVER	1
45	151219	PIN: HAIRPIN STYLE .148 X 4"	1
-	-	-NOT USED-	-
47	056190	SUB-ASSY: POWERED 5TH WHL	1

LOOP CHAIN AROUND DRUM & FEED THROUGH RATCHET FINGERS, ENGAGE RATCHET HANDLES TO TIGHTEN, TO RELEASE, PULL "UP" ON SPRING ARM

**SPECIFICATIONS**  
 WEIGHT: 751.0 lbs.  
 LIFT HEIGHT: 20"  
 RISE/STROKE: ?1-1/4"

**CASTERS:**  
 5" x 2" PHENOLIC

**55 GALLON (FULL DRUM)**  
 CAPACITY: 800 lbs.  
 UPRIGHT MAX HEIGHT: 36-3/4"  
 ROTATED MAX HEIGHT: 43-3/8"

**55 GALLON (HALF DRUM)**  
 CAPACITY: 500 lbs.  
 UPRIGHT MAX HEIGHT: 36-3/4"  
 ROTATED MAX HEIGHT: 43-3/8"

**DIMENSIONAL INFORMATION:**  
 MAXIMUM UNIT RAISED HEIGHT: 77-1/2"  
 MAXIMUM DRUM PIVOT POINT: 55"  
 MINIMUM DRUM PIVOT POINT: 16"  
 OVERALL WIDTH: 47-7/8"  
 OVERALL DEPTH: 67"  
 OVERALL HEIGHT: 66"  
 LOCKS DRUM IN VERTICAL OR HORIZONTAL POSITIONS

**NOTES:**  
 1. TRANSPORT DRUMS IN LOWERED POSITION ONLY  
 2. STRADDLE PALLETS UP TO 41" WIDE X 6-1/2" TALL  
 3. MINIMUM TURNING RADIUS = ?48"

**WESCO INDUSTRIAL PRODUCTS, LLC**  
 NORTH WALES PENNA. 19454

PART NAME: DM-800-MDT-PLPD  
 DRUM MASTER w/POWER LIFT, POWER DRIVE MANUAL DRUM TILT

DRAWN: JL 11-18-19  
 CHECKED: \_\_\_\_\_  
 APP. ENGR. \_\_\_\_\_

TOLERANCE UNLESS OTHERWISE SPECIFIED  
 FRACTION 3 PLACE DECIMAL 2 PLACE DECIMAL  
 ± 1/84 ± .005 ± .01  
 ANGULAR ± 1-1/2" SHEET 1 OF 2

SCALE: 1/8" = 1"  
**240130** REV A

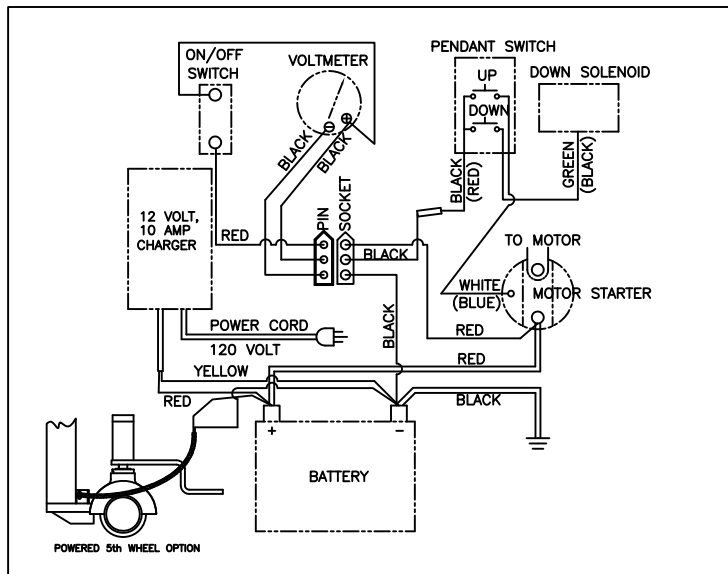
BREAK ALL SHARP EDGES AND REMOVE ALL BURRS

REPLACEMENT PARTS LIST

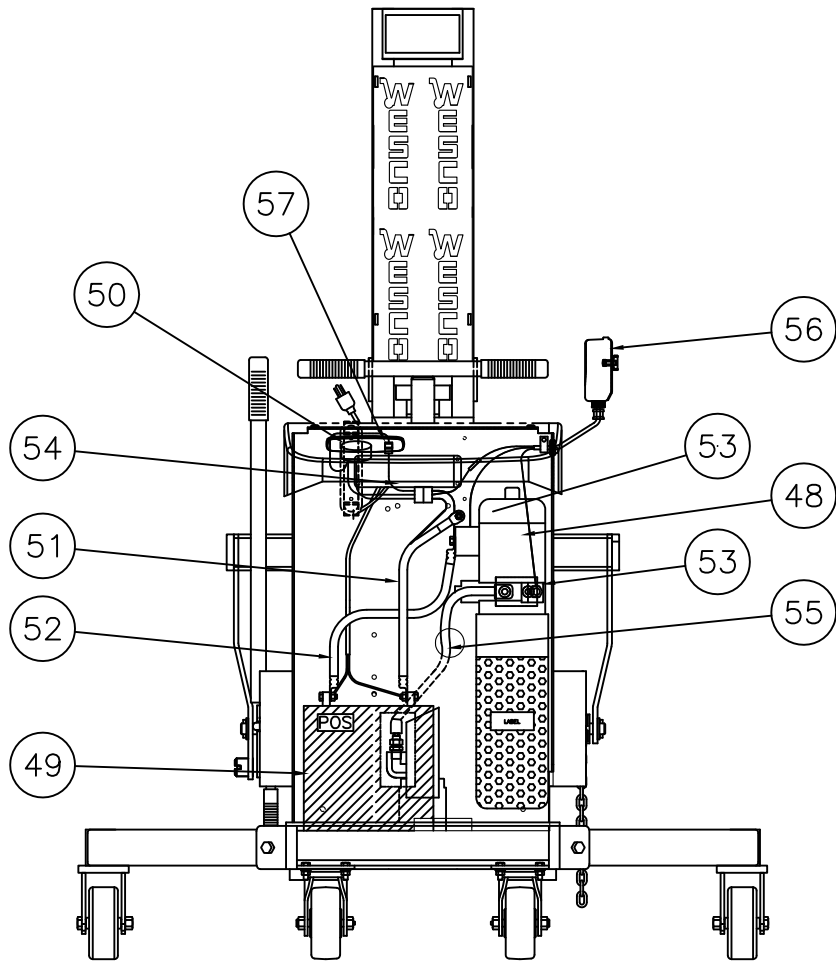
ITEM	PART NO.	DESCRIPTION	QTY.
48	109101	PUMP: HYD., 12V , VERTICAL	1
49	109102	BATTERY	1
50	109104	VOLTMETER	1
51	052782	BATTERY CABLE NEGATIVE	1
52	052780	BATTERY CABLE POSITIVE	1

REPLACEMENT PARTS LIST

ITEM	PART NO.	DESCRIPTION	QTY.
53	109117	SOLENOID	2
54	260169	BATTERY CHARGER	1
55	125824	HYDRAULIC HOSE	1
56	052726	REMOTE CONTROL ASSEMBLY	1
57	109325	POWER SWITCH	1



WIRING DIAGRAM



POWERED 5th WHEEL & COVER REMOVED FOR CLARITY  
(1.5 SCALE)

WESCO INDUSTRIAL PRODUCTS, LLC

NORTH WALES		PENNA. 19454	
PART NAME DM-800-MDT-PLPD		DRAWN: JL 11-18-19	
DRUM MASTER w/POWER LIFT, POWER DRIVE		CHECKED:	
MANUAL DRUM TILT		APP. ENGR.	
TOLERANCE UNLESS OTHERWISE SPECIFIED			
FRACTION	3 PLACE DECIMAL	2 PLACE DECIMAL	SCALE: 1/8"=1"
± 1/84	± .005	± .01	
ANGULAR ± 1-1/2°	SHEET 2 OF 2		240130
BREAK ALL SHARP EDGES AND REMOVE ALL BURRS			REV A