

240057

REPLACEMENT PARTS LIST

1	053814	WELDMENT: FRAME	1
2	150545	SCR: EYE SHOULDER 5/8-11	1
3	150546	NUT: HEX (PLTD) 5/8-11	2
* 4	150550	BOX: EDL-5	1

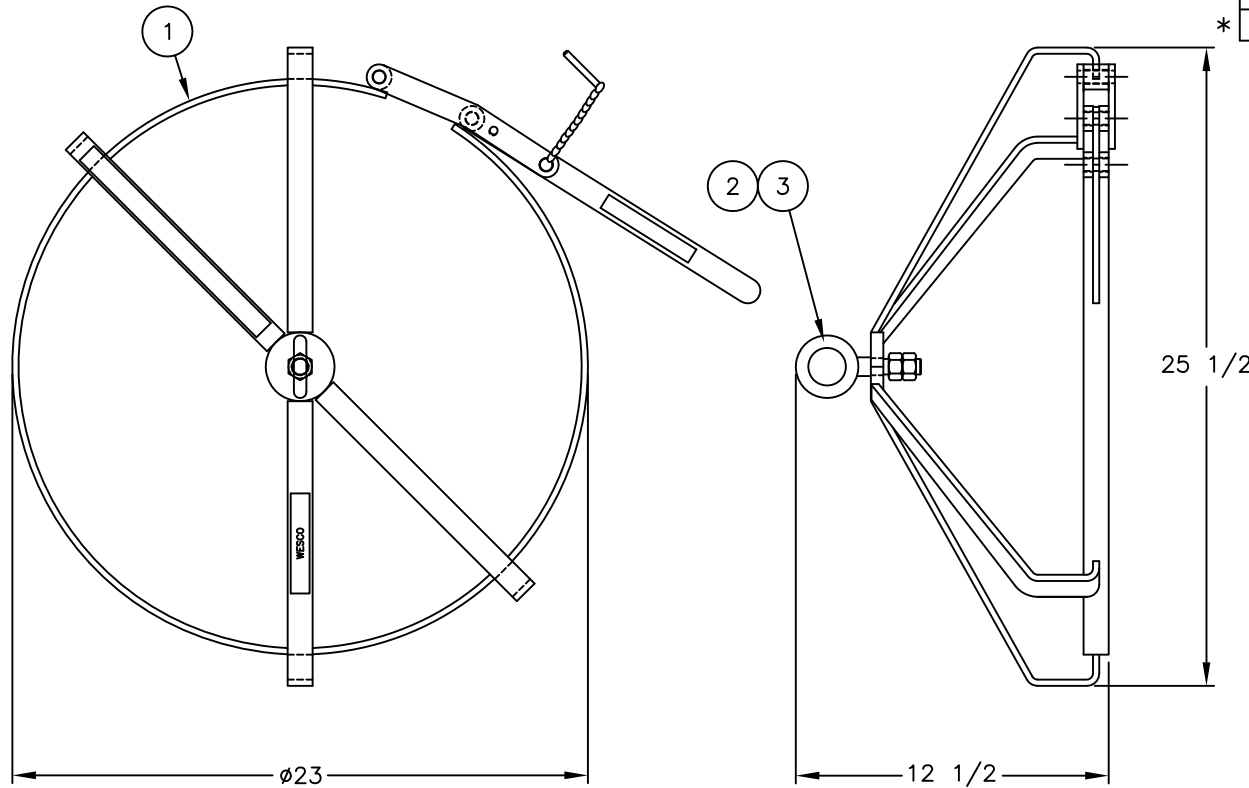
* NOT SHOWN

ECONOMY DRUM LIFTERS

- Lightweight and easy to use.
- Lock pin design holds drum firmly in place
- Ships boxed via UPS.
- For use with closed head 55 gallon steel drums.

P/N 240057

Model EDL-5
 Capacity 700 lbs
 Weight 15 lbs
 Boxed YES



THIS DRAWING IN ALL PARTICULARS IS WESCO INDUSTRIAL PRODUCTS INC. PROPERTY. ALL RIGHTS OF DESIGN, INVENTION OR USE OF ARE RESERVED.

PRINT ISSUED

DEC. 07, 1995

WESCO MANUFACTURING
 ENGINEERING DEPARTMENT

R	W	S	APP
12-03-12			
F	UPDATED		
REV.	ECN & DATE	REVISIONS	APP

WESCO INDUSTRIAL PRODUCTS INC.
 NORTH WALES PENNA. 19454

PART NAME		EDL-5		DRAWN: CY 04-01-91	
				CHECKED: DS 04-10-91	
				APP. ENGR.	
				SCALE: 5" = 1"	
TOLERANCE UNLESS OTHERWISE SPECIFIED					
FRACTION	3 PLACE DECIMAL	2 PLACE DECIMAL			
± 1/64	± .005	± .01			
ANGULAR ± 1-1/2'	SHEET 1	OF 1			
BREAK ALL SHARP EDGES AND REMOVE ALL BURRS			B- 240057		REV F