

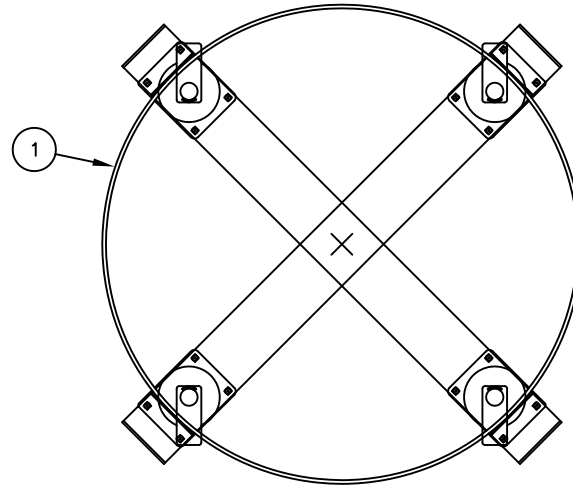
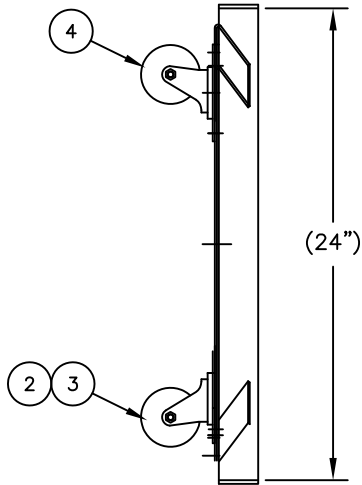
240033

REPLACEMENT PARTS LIST

1	053383	WELDMENT: DOLLY (D5)	1
2	050295	CASTER: RIGID "L.H" (WELDED)	1
3	050296	CASTER: RIGID "R.H" (WELDED)	1
4	108447	CASTER: SWIVEL, HR 3X1-1/4"	2
	108186	CARR. BOLT 1/4-20 x 3/4"	16
	150267	NUT: KEPS (PLTD) 1/4-20	16
* 5	108265	BOX: DRUM DOLLY D5-HR	1

*

* NOT SHOWN



SPECIALTY DOLLIES

- Polyolefin caster 3" X 1-1/4".
- Steel or aluminum designs.

P/N 240033

Model: (RSD) D5-HR
 Capacity: 900 lbs
 Weight: 22 lbs
 Unit I.D: 24"
 Drum size: 55 gal.
 Caster Type: 2 Rdg./2 Swvl.
 Material: Steel
 Box: Yes

THIS DRAWING IN ALL PARTICULARS IS WESCO INDUSTRIAL PRODUCTS INC. PROPERTY. ALL RIGHTS OF DESIGN, INVENTION OR USE OF ARE RESERVED.

PRINT ISSUED

NOV. 15, 2006

WESCO MANUFACTURING
 ENGINEERING DEPARTMENT

APP

ECN & DATE

REV.

REVISIONS

WESCO INDUSTRIAL PRODUCTS INC.

NORTH WALES

PENNA. 19454

PART NAME

(RSD) D5-HR

DRUM DOLLIES

DRAWN:

CHECKED:

APP. ENGR.

SCALE:

1" = 8"

TOLERANCE UNLESS OTHERWISE SPECIFIED

FRACTION 3 PLACE DECIMAL 2 PLACE DECIMAL

± 1/64 ± .005 ± .01

ANGULAR ± 1-1/2" SHEET 1 OF 1

BREAK ALL SHARP EDGES AND REMOVE ALL BURRS

A-240033

REV

B