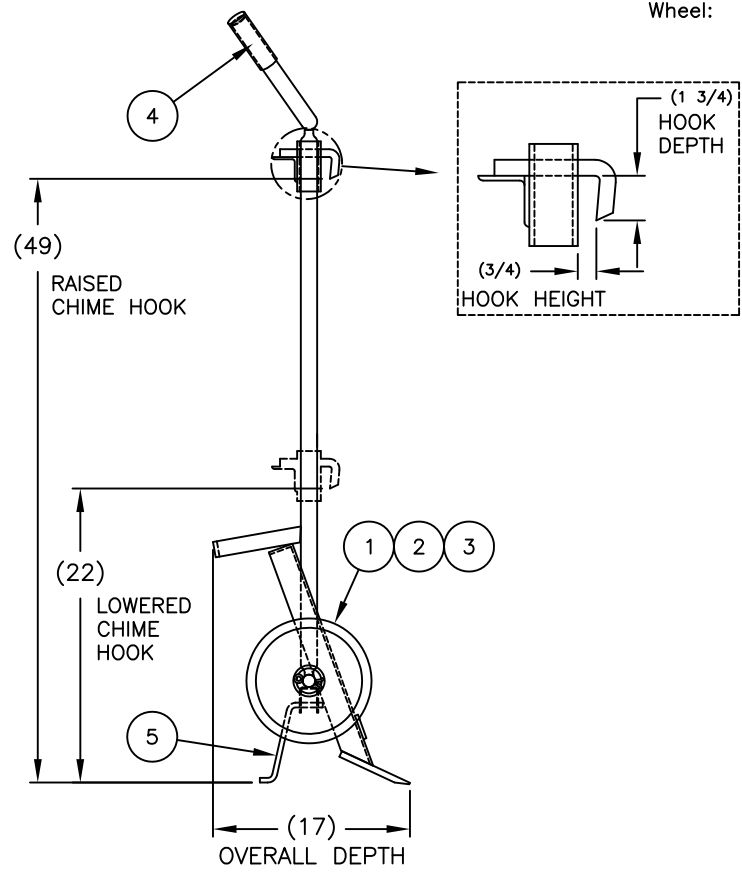
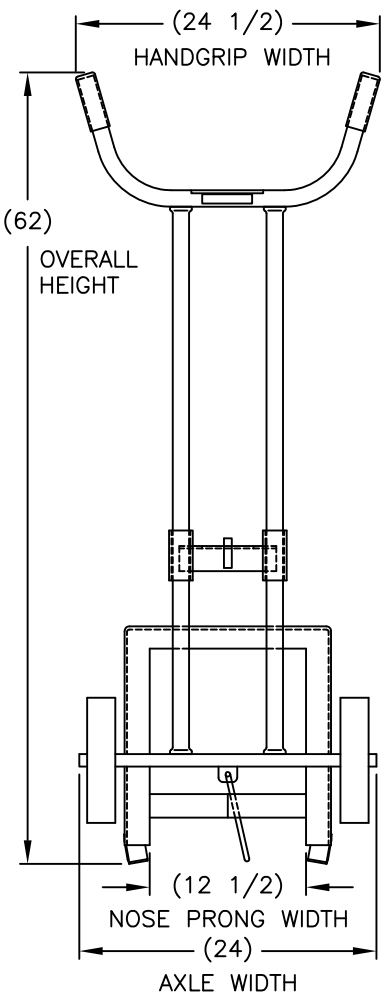


240010



P/N

Model:  
Capacity:  
Weight:  
Wheel:

240010

5BTW  
1,000 lbs  
53 lbs  
10" x 2.25"  
Polyolefin

REPLACEMENT PARTS LIST

1	150691	WHEEL: 10 X 2-1/4" poly.	2
2	108208	WASHER: FLAT 1" SAE	4
3	108218	PIN: COTTER 3/16 X 1.5"	2
4	108433	HANDGRIP: YELLOW 1-1/4"	2
5	109633	KICKSTAND (5/10/50BT)	1
6	-	BOX	

DRUM TRUCK Features:

- Industrial strength heavy duty 1" structural pipe frames.
- All joints double welded.
- High quality cast iron center moldon rubber wheel with 1" (ID) roller bearings.
- Polyolefin wheel is cost competitive and resistant to most environments that may damage rubber wheels.
- All trucks can be stored standing upright.
- Engineered to handle 55 gallon steel drum.
- capacity: 1,000 lbs.

5BT/5BTW Features:

- sturdy dual pipe frame.
- Economical angular steel base design.
- Kickstand
- Vinyl handle grips.
- 24.5" wide at handle
- 16.25 at nose
- With wheels resting on floor 22" to center of lowered chime hook.

PRINT ISSUED

NOV. 10, 2006

WESCO MANUFACTURING  
ENGINEERING DEPARTMENT

10-22-12 R S APP  
E UPDATED  
REV. EDN & DATE REVISIONS

WESCO INDUSTRIAL PRODUCTS INC.  
NORTH WALES PENNA. 19454

PART NAME		5BTW DRUM TRUCKS	
TOLERANCE UNLESS OTHERWISE SPECIFIED			
FRACTION	3 PLACE DECIMAL	2 PLACE DECIMAL	
± 1/64	± .005	± .01	
ANGULAR ± 1-1/2"	SHEET 1	OF 1	
BREAK ALL SHARP EDGES AND REMOVE ALL BURRS			

DRAWN: LDU 8-9-00
CHECKED:
APP. ENGR.
SCALE: 1" = 10
B- 240010

REV E