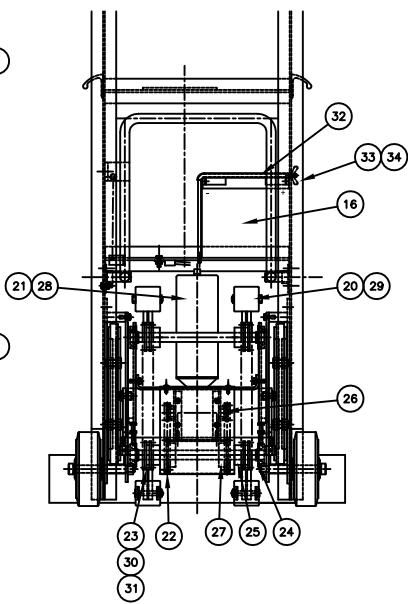
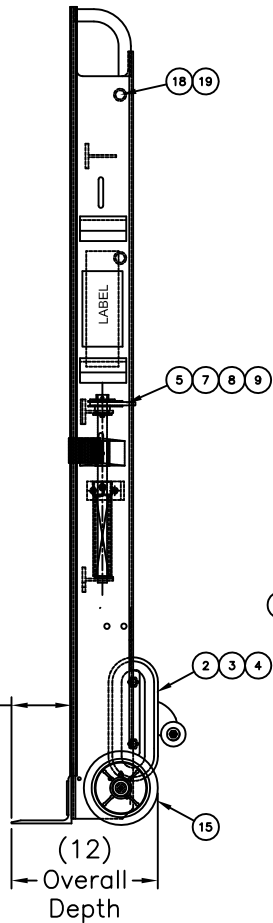
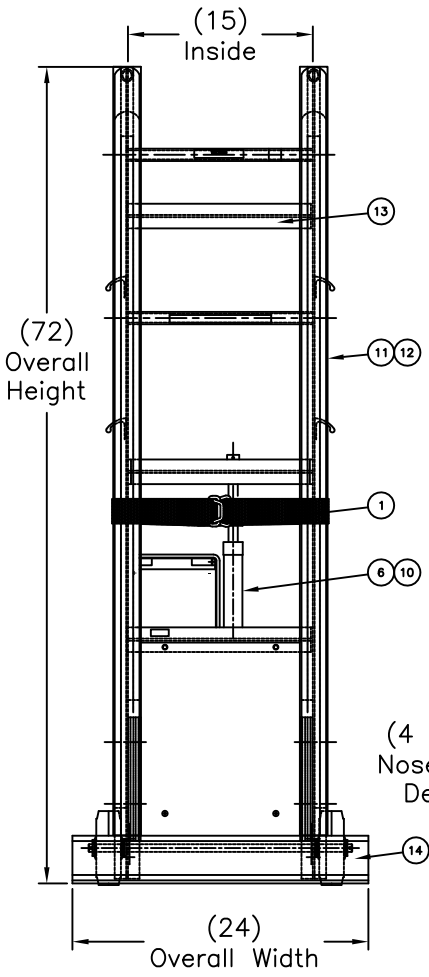


STAIRING REPLACEMENT PARTS LIST

BASIC TRUCK				POWER UNIT			
1	053120	Belt with Front Clasp	1	19	109306	Switch	1
2	150013	Stairclimber	2	20	053095	Kit: Lift Pad	4
3	108229	"V" Belt: Stairclimber	2	21	109070	Gearmotor	1
4	150014	Side Plate: Stairclimber	2	22	051817	Kit: Drive Chain	1
5	108227	Hand Grip	1	23	051818	Kit: Lift Roller Chain * Includes #31	2
6	053327	Ratchet: Auto Rewind Unit	1	24	109312	Bearing	4
7	052001	Handle: Assembly: Ratchet	1	25	050623	Sprocket: #35-2, 17 Teeth	4
8	230050	Holding Dog Assembly	1	26	050624	Sprocket: #35, 10 Teeth	2
9	151250	Spring: Handle	1	27	050625	Sprocket: #35, 20 Teeth	2
10	150921	Spring: Auto Rewind	1	28	270399	Brush: Motor (Pair)	1
11	108540	Rubber: Channel 66"	2	29	055618	Lift Pad to Chain Link	4
12	109323	Rubber: Channel 72"	2	30	230061	Kit: Lift Chain Assembly	2
13	109058	Rubber: Crossbrace	3	* 31	230064	Kit: Lift Chain Link	2
14	109688	Rubber: Noseplate	1	32	050542	Battery Clamp	1
15	050567	Wheel	2	33	108824	Nut: Wing, Locking 1/4-20	1
16	109307	Battery	1	34	108164	Washer: Flat (PLTD) #10	1
* 17	055246	Charger	1		109127	Tube: PVC 5/16 ID X 7 1/2 .625"	
18	109324	Circuit Breaker	1				

* NOT SHOWN



STAIRING BATTERY POWERED STAIR CLIMBING APPLIANCE TRUCK

- 1/2 horsepower, 50 amp, high torque motor runs cooler under load and gets over 80% more lifts per charge.
- Industrial grade gear box transmits steady power and is preferable to other drive designs.
- Large 2" diameter, polyurethane lifting feet provide more secure stair gripping.
- Auto rewind ratchet works first to take the slack out of the cargo belt, and then provides a ratchet crank to securely tighten the load.
- Noseplate measures 24" by 4" deep.
- Sealed maintenance free battery. Charger and circuit breaker included.
- Welded magnesium frame and noseplate.
- 6" mold-on rubber wheels.
- 30" from noseplate to center of belt.
- Available in two heights: 66" & 72"

Model: DC-72
 Weight: 102 lbs.
 Capacity: 850 lbs.
 Battery: Single
 Width: 24"
 Height: 72"
 Depth: 12"
 Boxed: Skid

THIS DRAWING IS THE PROPERTY OF WESCO INDUSTRIAL PRODUCTS INC. ALL RIGHTS RESERVED. NO PARTS TO BE REPRODUCED OR USED IN ANY MANNER WITHOUT THE WRITTEN PERMISSION OF WESCO INDUSTRIAL PRODUCTS INC.

PRINT ISSUED
 OCT. 05, 2006
 WESCO MANUFACTURING
 ENGINEERING DEPARTMENT

12/10/13	REV. 01	WESCO INDUSTRIAL PRODUCTS INC. NORTH WALES, PENNSA. 19454	DATE: 1-12-04
12/10/13	REV. 01	POWER APPLIANCE TRUCK DC-72, FINAL ASSEMBLY	DESIGN: P. SPENCER
12/10/13	REV. 01	3 PLATE SERIAL, 5 PLATE SERIAL	CHECKED:
12/10/13	REV. 01	1" = 5"	SCALE:
12/10/13	REV. 01	1 OF 2	DRAWING NO: D-230052
12/10/13	REV. 01	1 OF 2	BY: Y