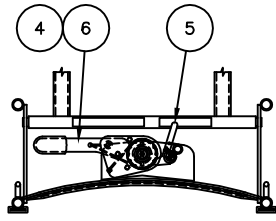
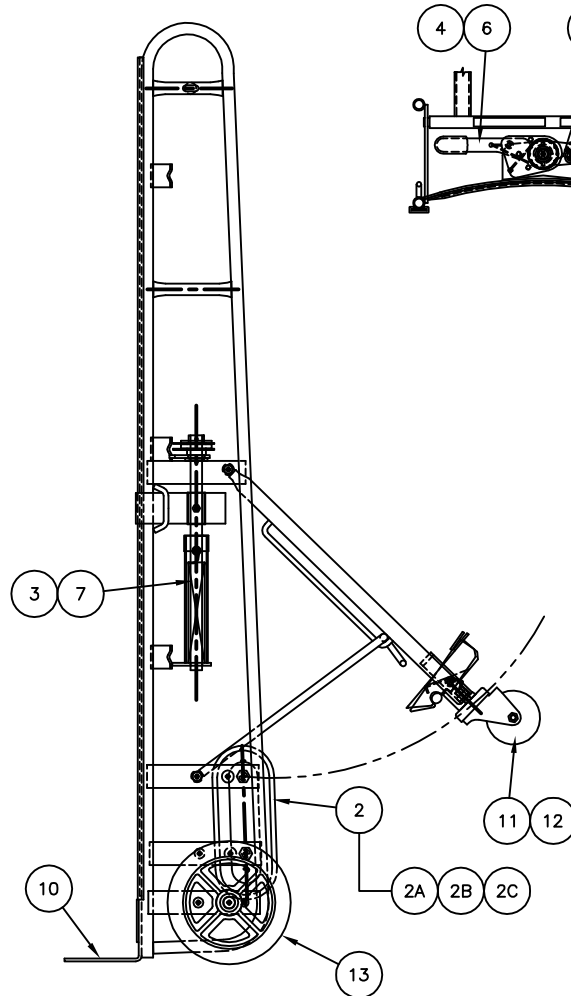
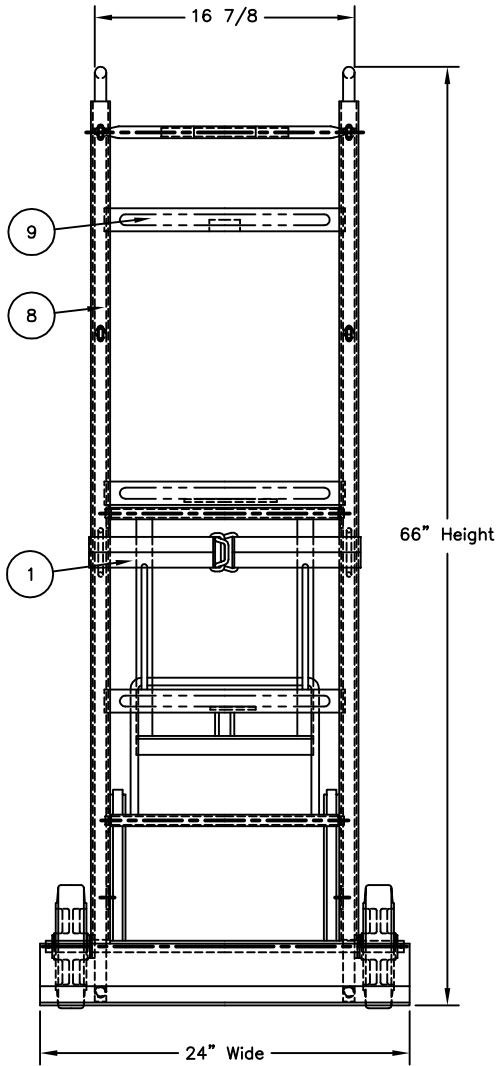


230018



REPLACEMENT PARTS LIST

1		053120	BELT W/FRONT CLASP	1
2		150013	STAIR CLIMBER	2
	2A	108229	V-BELT	2
	2B	150014	SIDE PLATE	2
	2C	150017	BEARINGS	44
3		052910	RATCHET (AUTO-REWIND) WRV	1
4		052001	ASS'Y: RATCHET HANDLE	1
5		230050	ASS'Y: HOLDING DOG	1
6		151250	HANDLE SPRING	1
7		150921	SPRING: AUTO REWIND REPL'G	1
8		108458	RUBBER: CHANNEL (66)	2
9		109689	RUBBER: CROSS BRACE	3
10		050414	NOSE PLATE (STL. VENDING)	1
11		108457	CASTER: SWIV. 3-1/2" DIA	2
12		108455	SPRING: MUSIC WIRE .035	2
13		150120	WHEEL: "HB" 8 X 2	2

HEAVY DUTY STEEL APPLIANCE/VENDING

Features:

- Welded frame and handles for maximum strength.
- Non-Marking gray vinyl on all contact surfaces securely mounted to truck.
- Bolted holding dog assembly for easy interchange of parts.
- 2" wide heavy duty web belt is standard on all models.
- Various belt tightener options to meet your moving needs.

STEEL VENDING MACHINING

- Retractable moldon rubber casters (3.5" diameter) help support load.
- Heavy duty 8" cast iron center moldon rubber wheels w/roller bearings.
- Available with "Auto-Rewind" or "Economy" belt tightening systems.
- 28.5" from noseplate to center of belt.
- Improved kick-out design allows operator to kick-out wheels with both hands on the truck.

AUTO-REWIND RATCHET:

Model: WRV-66
 Capacity: 1,200 lbs
 Belt: 2 piece w/clasp
 Weight: 86 lbs
 HxWxD: 66" x 24" x 14.5"
 Boxed: No

THIS DRAWING IS THE PROPERTY OF WESCO MANUFACTURING CO. ALL RIGHTS RESERVED. NO PARTS TO BE REPRODUCED OR USED IN ANY MANNER WITHOUT THE WRITTEN PERMISSION OF WESCO MANUFACTURING CO.

WESCO MANUFACTURING CO. LANSDALE, PENNA. 19446	
PART NAME: WRV-66 STL. APPLIANCE/VENDING	DATE: _____
TOLERANCE UNLESS OTHERWISE SPECIFIED	CHECKED: _____
FINISH: 3 PLATE FINISH	SCALE: 1" = 4"
PROJ: _____	DRAWN: _____
APPROVED: _____	SHEET 1 OF 1
DRYER: _____	D-230018