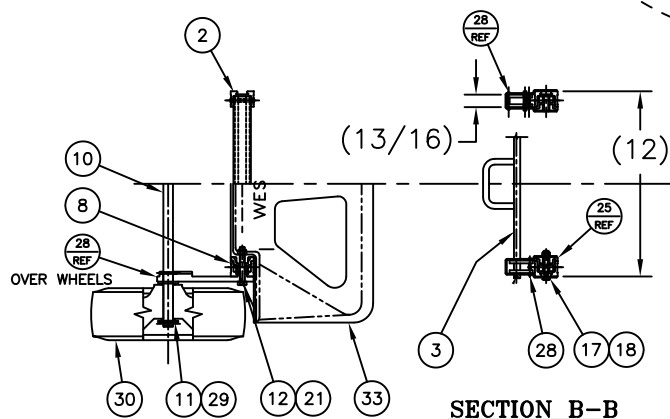
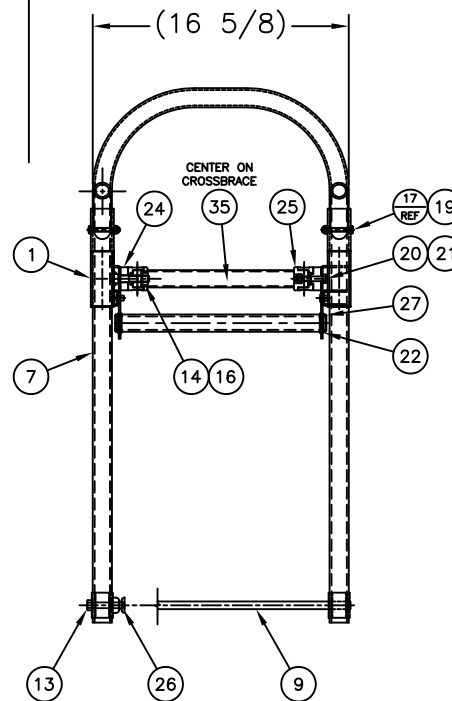
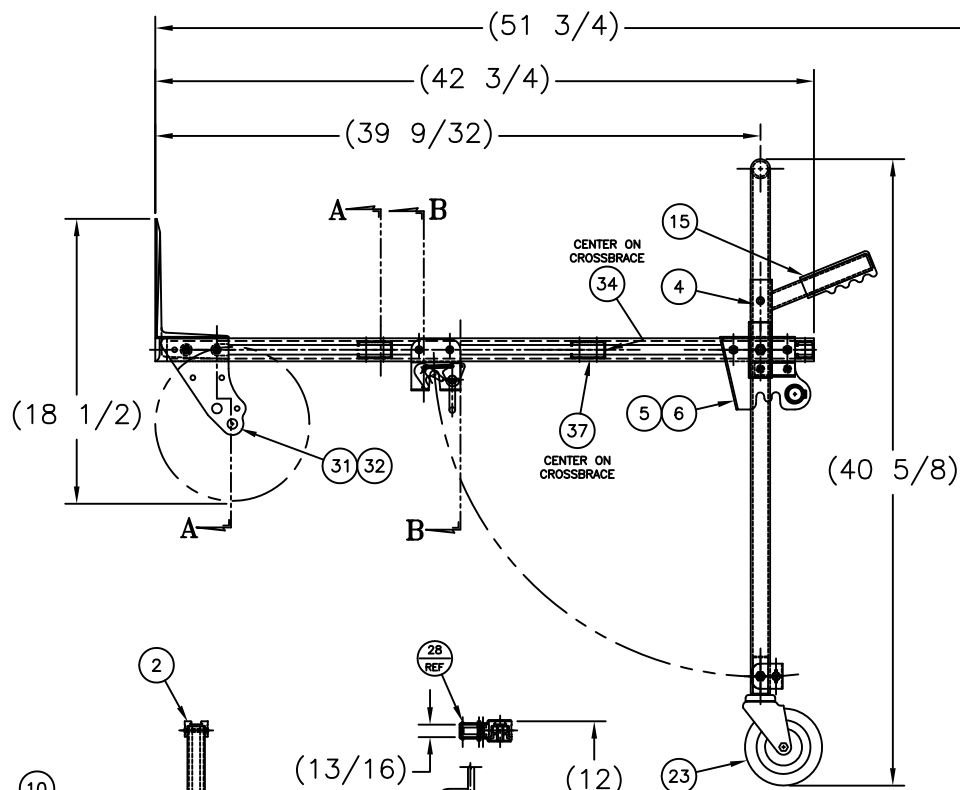


OVERALL HEIGHT WITH HANDLE FOLDED



SECTION A-A

SECTION B-B

Features for Cobra Jr. and Sr.

- 18" wide noseplate for large loads.
- Smooth and easy transition from the 2 to 4 wheeled position.
- Non-marking 5" x 1.25" swivel casters.
- 8 rivets per cross brace.
- Custom advertising side strips available--contact dealer for details.
- 2" wide cross braces for added strength and advertising labels.

Cobra Jr. Features:

- Dual hand grips for improved control.
- 3 frame cross braces.
- 12" x 38" frame bed.

REPLACEMENT PARTS LIST

ITEM	PART NO.	DESCRIPTION	QTY.
1	055105	PIVOT SOCKET WELDMENT	2
2	055113	FRAME ASSEMBLY	1
3	055094	LATCH HANDLE	1
4	055122	PIN HANDLE WELDMENT	2
5	055125	R.H. BRACKET ASS'Y	1
6	055126	L.H. BRACKET ASS'Y	1
7	055121	HANDLE	1
8	055127	FILLER CHANNEL	2
9	055099	SPREADER BAR	1
10	050229	AXLE (18 1/4)	1
11	100051	FLAT WASH.,5/8 SAE PLT	4
12	108168	5/16-18 X 2 1/4 HHCS	4
13	108152	3/8-16 X 2" HHCS	2
14	108366	FLAT WASH.7/16 SAE PLT	4
15	108949	HANDGRIP (RED)	1 1/8
16	108916	7/16-14 NUT, 2-WAY	2
17	108929	1/4-20 NUT, NYLOCK	6
18	108932	1/4-20 X 1 3/4 PHPS	4
19	108933	1/4-20 X 1 7/8 PHPS	2
20	108934	5/16-18 X 1 3/4 HHCS	4
21	108132	LOCKNUT 5/16 - 18	8
22	108937	1 1/8 RET.RING, BOWED	4
23	108979	CASTER (5" X 1 1/4)	2
24	108980	MOLDED SPACER	2
25	108981	MOLDED CLAMP	4
26	109019	LOAD END CAP	2
27	108984	UPPER HANDLE	1
28	109644	SPG.PIN ø1/8 X 1 1/8	2
29	108219	COTTER PIN (ø.148)	2
30	053446	WHEEL: "CF" 10 X 3.50"	2
31	151508	R.H. AXLE BOX	1
32	151509	L.H. AXLE BOX	1
33	054010	NOSEPLATE: E16/S26	1
34	154021	WARNING LABEL	1
35	154060	"WESCO"/CAP. LABEL	1
36	108304	POLYBAG 28 X 52 X.003	1
37	154113	LABEL: FRAME WARRANTY	1

P/N 220666

Model CBR-JR-E16-CF
 Capacity 2 wheel 560 lbs.
 Capacity 4 wheel 1,160 lbs.
 Approximate Weight 41 lbs.
 Overall Height 51.75"
 Frame bed 12" x 38"
 Boxed No

THIS DRAWING IS ALL PARTICULARS IN WESCO SPIN CO. PROPERTY. ALL RIGHTS OF DESIGN, INVENTION OR USE OF ARE RESERVED.

R W U S 03-11-13 A UPDATED NOTES 1	1 2 3 4 5 6 7 8 9 10 11 12 13 14 15 16 17 18 19 20 21 22 23 24 25 26 27 28 29 30 31 32 33 34 35 36 37	WESCO MANUFACTURING CO. NORTH WALES, PENNA. 19454	
		PART NAME CBR-JR-E16-CF	DRAWN P. SPENCER
		FINAL ASSY ALUM. 2-N-1	DATE 07-30-96
		PRODUCTION 3 PLACE SERIAL 2 PLACE SERIAL	QUANTITY 1/4 SCALE

D-220666