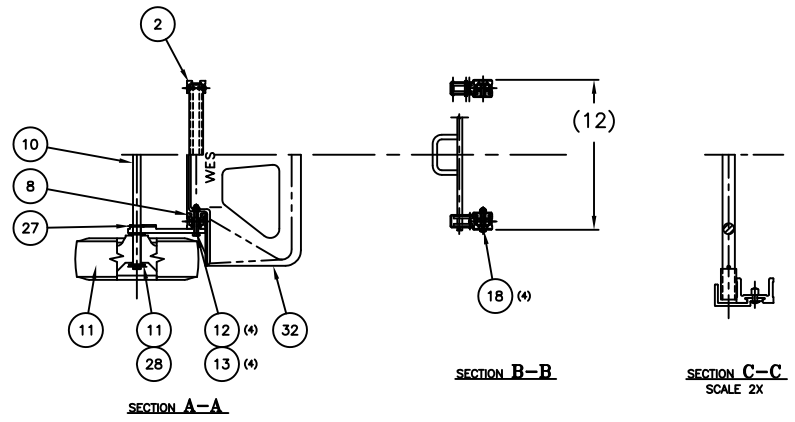


REPLACEMENT PARTS LIST			
ITEM	PART NO.	DESCRIPTION	QTY.
1	054823	LOCK HANDLE ASSEMBLY	2
2	055092	FRAME ASSEMBLY	1
3	055084	HANDLE/KICKOUT LATCH ASSY	1
4	055122	PIN HANDLE WELDMNT	2
5	055125	R.H. BRACKET ASS'Y	1
6	055126	L.H. BRACKET ASS'Y	1
7	055170	HANDLE	1
8	055127	FILLER CHANNEL	2
9	108304	POLYBAG 28 X 52 X.003	1
10	050229	AXLE (18 1/4)	1
11	100051	FLAT WASH, 5/8 SAE PLT	4
12	108132	5/16-18 NUT, NYLOCK	8
13	108168	5/16-18 X 2 1/4 HHCS	4
14	108152	3/8-16 X 2" HHCS	2
15	108366	FLAT WSHR. 7/16 SAE PLTD	4
16	108949	HANDGRIP (BLUE) 1 1/8	2
17	108916	7/16-14 NUT, 2-WAY	2
18	108929	1/4-20 NUT, NYLOCK	6
19	108933	1/4-20 X 1 7/8 PHPS	2
20	108934	5/16-18 X 1 3/4 HHCS	4
21	108937	1 1/8 RET. RING, BOWED	4
22	108979	CASTER (5" X 1 1/4)	2
23	108980	MOLDED SPACER	2
24	108981	MOLDED CLAMP	4
25	109019	LOAD END CAP	2
26	108984	UPPER HANDLE	1
27	109644	SPG. PIN #1/8 X 1 1/8	2
28	108219	COTTER PIN (#.148)	2
29	151551	PE WHEEL	2
30	151508	R.H. AXLE BOX	1
31	151509	L.H. AXLE BOX	1
32	151533	NOSEPLATE (18")	1



Features for Cobra Jr. and Sr.

- 18" wide noseplate for large loads.
- Smooth and easy transition from the 2 to 4 wheeled position.
- Non-marking 5" x 1.25" swivel casters.
- 8 rivets per cross brace. Welded release pedal.
- Custom advertising side strips available-contact dealer for details.
- 2" wide cross braces for added strength and advertising labels.

3 Position Truck

- Same strong, light weight construction as the Cobra Jr.
- Quickly converts from 2-wheel to ergonomic tilt-back position or platform truck.
- 3 frame cross braces.
- 12" x 38" frame bed.
- T-18 nose.

Wheel: PE  
 Hub: Steel Offset  
 Dimensions: 10" x 3.5"  
 Wheel Type: Pneumatic  
 Capacity 2 Wheel: 500 lbs.  
 Capacity 4 wheel: 650 lbs.  
 Overall Height: 52"  
 Weight: 43 lbs.

THIS DRAWING IS ALL PARTICULARS IN WESCO INDUSTRIAL PRODUCTS INC. PROPERTY. ALL RIGHTS OF DESIGN, INVENTION OR USE OF THE SAME RESERVED.

WESCO INDUSTRIAL PRODUCTS INC. NORTH WALES FEBRUARY 1984S4	
PART NAME CBR-JR-T18-PE FINAL ASSY ALUM. 3-N-1	ISSUE LDU 7-26-99 CHECKED PS 7-28-99 APP. ENGR.
PRODUCTION 3 PLATE SPECIAL 5 PLATE SPECIAL 6 PL	SCALE 5" = 1" D-220591 G