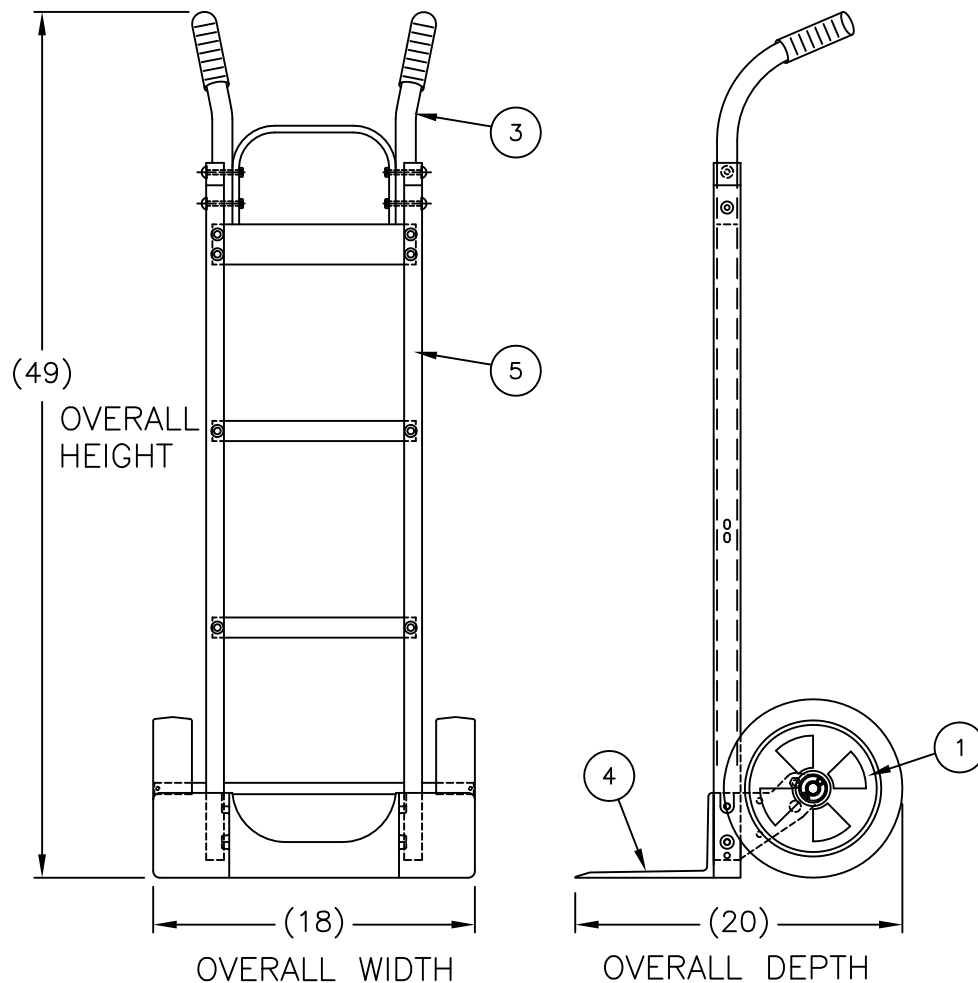


220567



REPLACEMENT PARTS LIST

ITEM	PART NO.	DESCRIPTION	QTY.
1	270274	KIT: WHEEL "BC10" WESCO-LITE	1
* 2	108990	BOX: 40-1/2" X 13 X 10	1
3	151525	HANDLE: TWIN	1
4	151533	NOSEPLATE (18")	1
5	153855	KIT: STRAIGHT FRAME #0	1

COBRA-LITE FEATURES:

- All aluminum construction.
- Heavy duty cast 7.5" X 14" or 7.5" X 18" wide nose plate options.
- Quality light weight truck at an economical price.
- Ships KD and boxed or as components
- Assembly option available.
- All 2" wide cross braces for additional strength. Great for advertising label.

Series 450 Features:

- Twin handle style with vinyl grips.
- 49" overall height.

P/N 220567

Model 450-T18-BC10
 Weight 21 lbs
 Capacity 600 lbs
 Box No
 Wheel 10" x 2.165"
 Type Balloon Cushion
 Hub Poly Offset

THIS DRAWING IN ALL PARTICULARS IS WESCO MFRG. CO. PROPERTY. ALL RIGHTS OF DESIGN, INVENTION OR USE OF ARE RESERVED.

PRINT ISSUED

APR 19, 2006

WESCO MANUFACTURING
ENGINEERING DEPARTMENT

R W S APP
 02-07-13
 UPDATED
 A

REV. ECN & DATE

WESCO MANUFACTURING CO.

NORTH WALES

PENNA. 19454

PART NAME

450-T18-BC10
(COBRA-LITE)

DRAWN:

CHECKED:

APP. ENGR.

TOLERANCE UNLESS OTHERWISE SPECIFIED

FRACTION 3 PLACE DECIMAL 2 PLACE DECIMAL

± 1/64 ± .005 ± .01

ANGULAR ± 1-1/2' SHEET 1 OF 1

BREAK ALL SHARP EDGES AND REMOVE ALL BURRS

SCALE: 7" = 1"

B-220567

REV

A