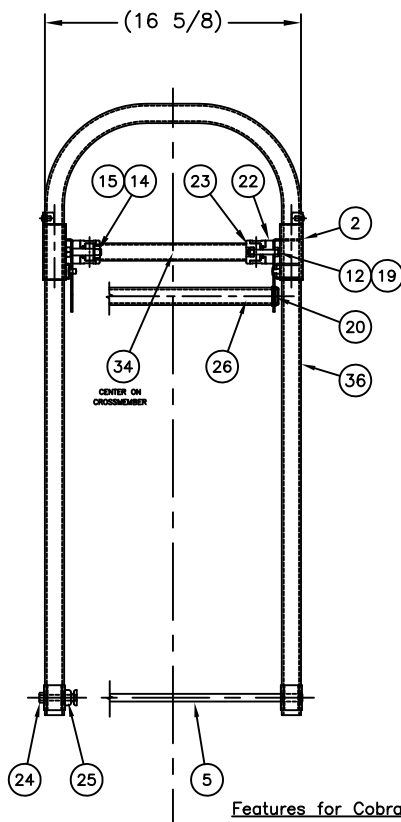
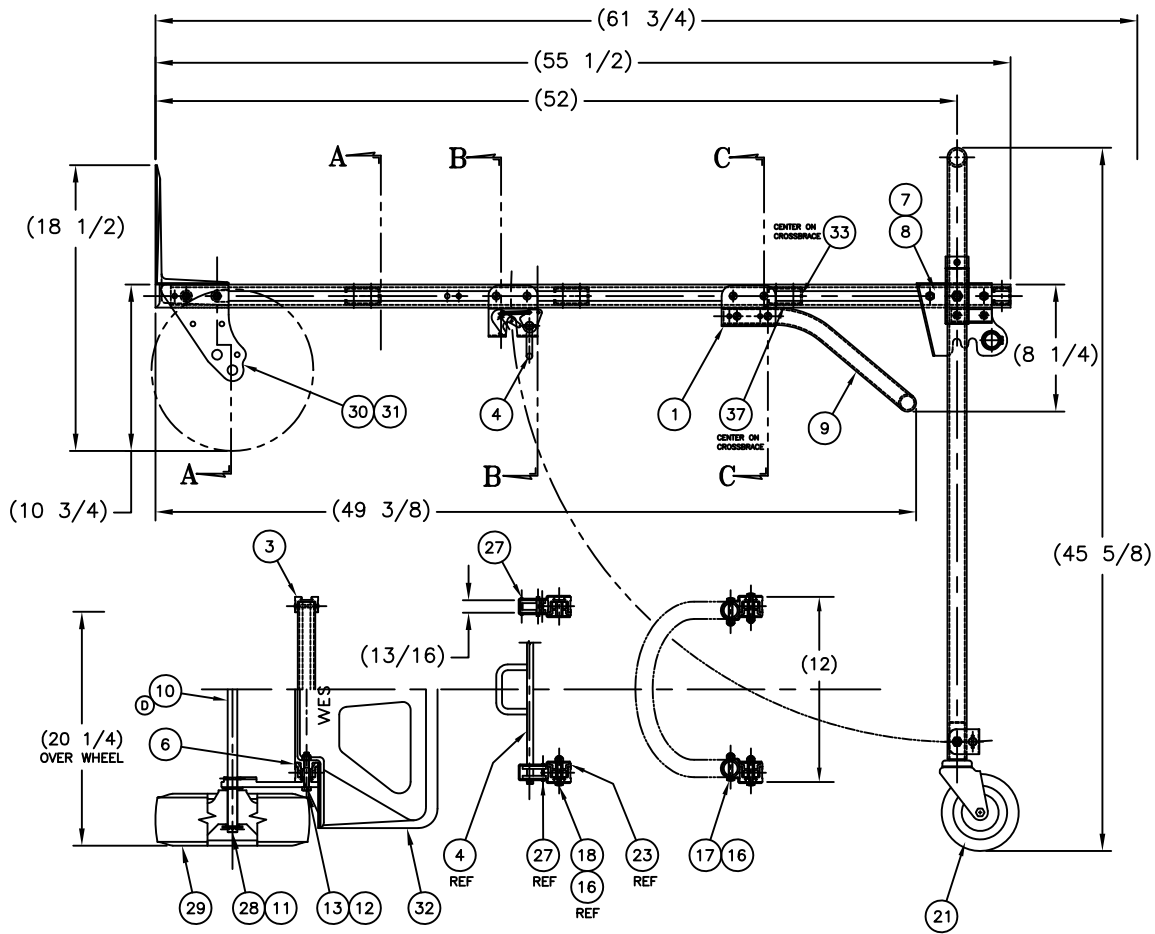


OVERALL HEIGHT WITH HANDLE FOLDED



REPLACEMENT PARTS LIST			
ITEM	PART NO.	DESCRIPTION	QTY.
1	055104	BRACKET: HANDLE	2
2	055105	PIVOT SOCKET	2
3	055112	FRAME: ASS'Y (54-1/2")	1
4	055094	HANDLE: LATCH, ASS'Y	1
5	055099	BAR: SPREADER, ASS'Y	1
6	055127	CHANNEL: FILLER	2
7	055125	BRACKET: "R.H" SIDE, ASS'Y	1
8	055126	BRACKET: "L.H" SIDE, ASS'Y	1
9	151512	HANDLE: CONTINUOUS	1
10	050229	AXLE: "Z/P" WHEEL (18-1/4")	1
11	100051	WASHER: FLAT 5/8 SAE	4
12	108132	NUT: LOCK, HEX 5/16-18 W/NYLOCK	8
13	108168	SCR: HEX HD 5/16-18X2-1/4"	4
14	108366	WASHER: FLAT .9300D X.475IDX.060TH	4
15	108916	NUT: LOCK, HEX 7/16-14 2-WAY	2
16	108929	NUT: LOCK, HEX 1/4-20 W/NYLOCK	12
17	108931	SCR: PAN HD MACH 1/4-20 X 1-5/8	4
18	108932	SCR: PAN HD MACH 1/4-20 X 1-3/4	8
19	108934	SCR: HEX HD 5/16-18 X 1-3/4	4
20	108937	RING: SHAFT RETAINER 1-1/8	4
21	108979	CASTER: SWIVEL STEM 5 X 1-1/4	2
22	108980	SPACER: MOLDED	2
23	108981	BLOCK: MOLDED	6
24	108152	SCR: HEX HD CAP 3/8-16 X 2"	2
25	109019	CAP: LOAD END	2
26	108984	HANDLE: UPPER	1
27	109644	PIN: SPRIN 1/8 X 1-1/8"	2
28	108219	PIN: COTTER 5/32 X 1	2
29	053446	WHEEL: "CF" 10 X 3"	2
30	151508	AXLE BOX: "RH"	1
31	151509	AXLE BOX: "LH"	1
32	053313	STAMP: WESCO, S18/E18	1
33	154021	LABEL: WARNING	1
34	154060	LABEL: WESCO/CAPACITY	1
35	108122	BAG: POLY 22 X 47-1/2	1
36	055109	HANDLE: SLIDE, ASS'Y	1
37	154113	LABEL: FRAME WARRANTY 1 X 3.75"	1

SECTION A-A

SECTION B-B

SECTION C-C

P/N

Model
Capacity 2 wheel
Capacity 4 wheel
Approximate Weight
Overall Height
Frame bed
Boxed

220516

CBR-SR-E18-CF
560 lbs.
1,160 lbs.
41 lbs.
61.75"
12" x 50.75"
No

Features for Cobra Jr. and Sr.

- 18" wide noseplate for large loads.
- Smooth and easy transition from the 2 to 4 wheeled position.
- Non-marking 5" x 1.25" swivel casters.
- 8 rivets per cross brace. Welded release pedal.
- Custom advertising side strips available-contact dealer for details.
- 2" wide cross braces for added strength and advertising labels.

Cobra Sr. Features:

- Continuous handle for multiple ways to control loads.
- 4 frame cross braces.
- 12" x 50.75" frame bed.

THIS DRAWING IS THE PROPERTY OF WESCO MFG. CO. ALL RIGHTS RESERVED. NO PARTS TO BE REPRODUCED OR USED IN ANY MANNER WITHOUT THE WRITTEN PERMISSION OF WESCO MFG. CO.

WESCO MANUFACTURING CO.			
NORTH WALES		PENNA. 18454	
PART NAME	CBR-SR-E18-CF	DATE	KIMMIE LE
FINAL ASS'Y	ALUM. 2-N-1	REV.	03-29-06
TOLERANCES UNLESS OTHERWISE SPECIFIED			
FRACTION	3 PLACE DECIMALS	3 PLACE DECIMALS	
1/16"	± .005	1/32"	± .005
1/8"	± .005	3/16"	± .005
1/4"	± .005	1/2"	± .005
3/4"	± .005	1"	± .005
1 1/2"	± .005	2"	± .005
3"	± .005	4"	± .005
6"	± .005	8"	± .005
12"	± .005	18"	± .005
24"	± .005	36"	± .005
WELD: 1" = 4"			D-220516