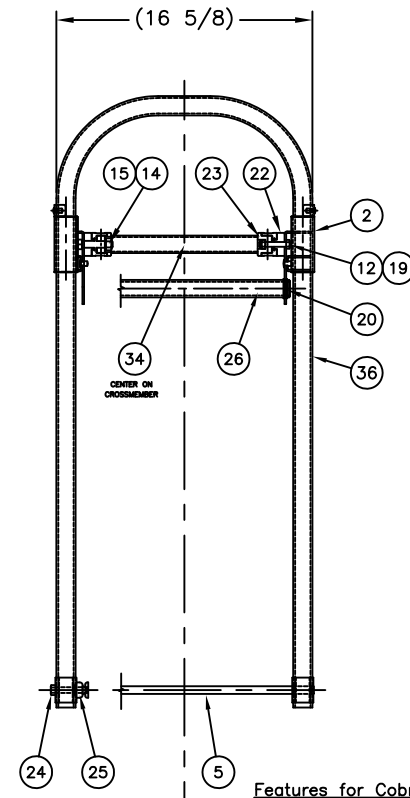
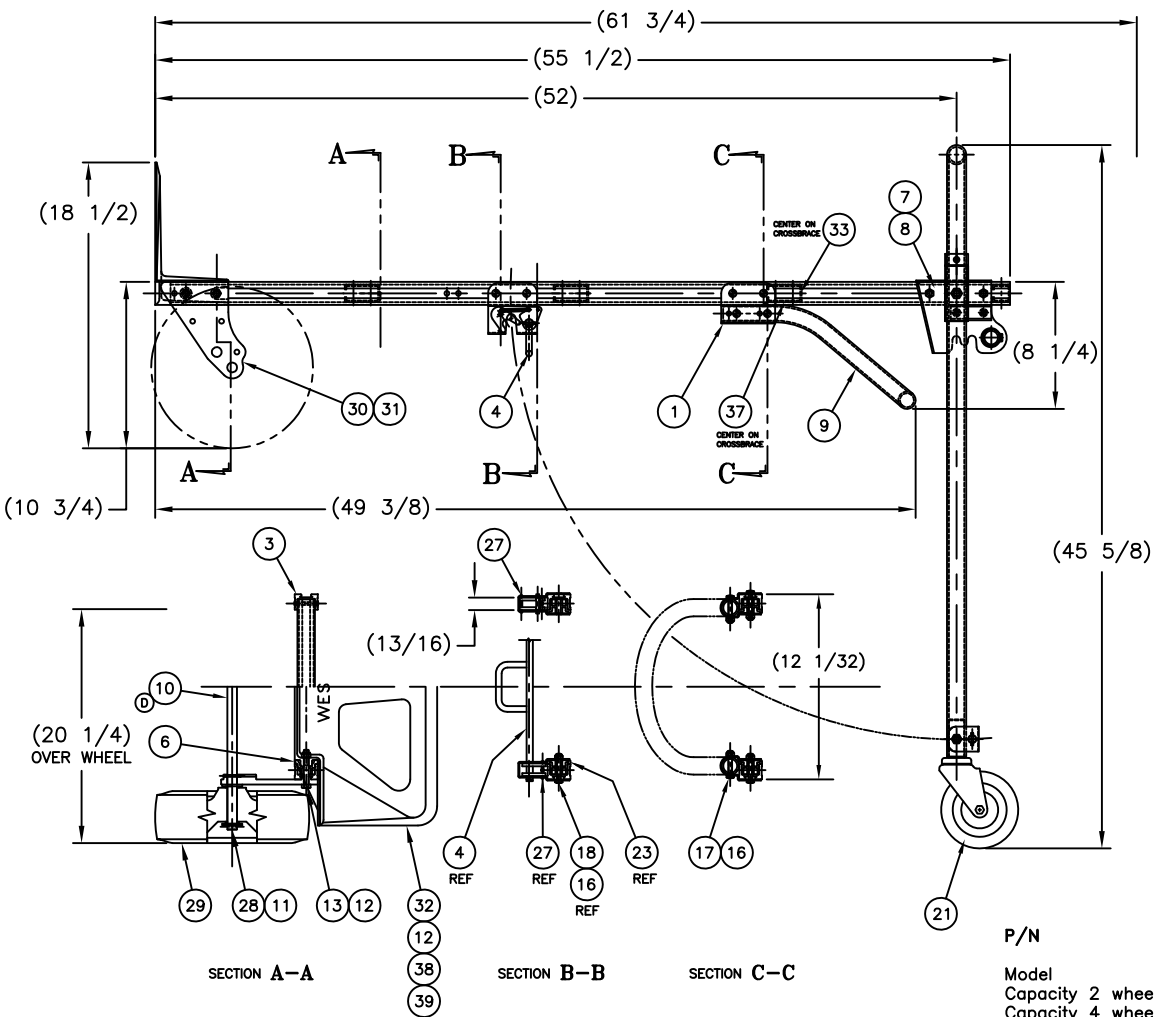


OVERALL HEIGHT WITH HANDLE FOLDED



Features for Cobra Jr. and Sr.

- 18" wide noseplate for large loads.
- Smooth and easy transition from the 2 to 4 wheeled position.
- Non-marking 5" x 1.25" swivel casters.
- 8 rivets per cross brace. Welded release pedal.
- Custom advertising side strips available-contact dealer for details.
- 2" wide cross braces for added strength and advertising labels.

Cobra Sr. Features:

- Continuous handle for multiple ways to control loads.
- 4 frame cross braces.
- 12" x 50.75" frame bed.

P/N

Model  
Capacity 2 wheel  
Capacity 4 wheel  
Approximate Weight  
Overall Height  
Frame bed  
Boxed

220489

CBR-SR-E16-Z  
600 lbs.  
1,200 lbs.  
47 lbs.  
61.75"  
12" x 50.75"  
No

REPLACEMENT PARTS LIST

ITEM	PART NO.	DESCRIPTION	QTY.
1	055104	BRACKET: HANDLE	2
2	055105	PIVOT SOCKET	2
3	055112	FRAME: ASS'Y (54-1/2")	1
4	055094	HANDLE: LATCH, ASS'Y	1
5	055099	BAR: SPREADER, ASS'Y	1
6	055127	CHANNEL: FILLER	2
7	055125	BRACKET: "R.H" SIDE, ASS'Y	1
8	055126	BRACKET: "L.H" SIDE, ASS'Y	1
9	151512	HANDLE: CONTINUOUS	1
10	050229	AXLE: "Z/P" WHEEL (18-1/4")	1
11	100051	WASHER: FLAT 5/8 SAE	4
12	108132	NUT: LOCK, HEX 5/16-18 W/NYLOCK	12
13	108168	SCR: HEX HD 5/16-18X2-1/4"	4
14	108366	WASHER: FLAT .9300D X.475IDX.060TH	4
15	108916	NUT: LOCK, HEX 7/16-14 2-WAY	2
16	108929	NUT: LOCK, HEX 1/4-20 W/NYLOCK	12
17	108931	SCR: PAN HD MACH 1/4-20 X 1-5/8	4
18	108932	SCR: PAN HD MACH 1/4-20 X 1-3/4	8
19	108934	SCR: HEX HD 5/16-18 X 1-3/4	4
20	108937	RING: SHAFT RETAINER 1-1/8	4
21	108979	CASTER: SWIVEL STEM 5 X 1-1/4	2
22	108980	SPACER: MOLDED	2
23	108981	BLOCK: MOLDED	6
24	108152	SCR: HEX HD CAP 3/8-16 X 2"	2
25	109019	CAP: LOAD END	2
26	108984	HANDLE: UPPER	1
27	109644	PIN: SPRIN 1/8 X 1-1/8"	2
28	108219	PIN: COTTER 5/32 X 1	2
29	150589	WHEEL: "Z" 10 X 2 3/4	2
30	151508	AXLE BOX: "RH"	1
31	151509	AXLE BOX: "L.H"	1
32	054010	STAMP: WESCO, S18/E18	1
33	154021	LABEL: WARNING	1
34	154060	LABEL: WESCO/CAPACITY	1
35	108122	BAG: POLY 22 X 47-1/2	1
36	055109	HANDLE: SLIDE, ASS'Y	1
37	154113	LABEL: FRAME WARRANTY 1 X 3.75"	1
38	108169	BOTL: CARR. 5/16-18 X 1"	4
39	055131	CLAMP EXTR.	1

THIS DESIGN IS ALL PATENTABLE IS WESCO SPIN, CO. PROPERTY. ALL RIGHTS OF DESIGN, INVENTION OR USE OF ARE RESERVED.

WESCO MANUFACTURING CO. NORTH WALES, PENNA. 19454		PART NAME <b>CBR-SR-E16-Z</b>		DRAWN BY KIMMIE LE
		FINAL ASS'Y ALUM. 2-N-1		DATE 03-29-06
3 PLACE SERIAL		3 PLACE SERIAL		SCALE 1" = 4"
SHEET 1 OF 1		DRAWN BY KIMMIE LE		CHECKED BY [ ]
DRAW ALL SHIP BONES AND REDUCE ALL BONES		D-220489		[ ]