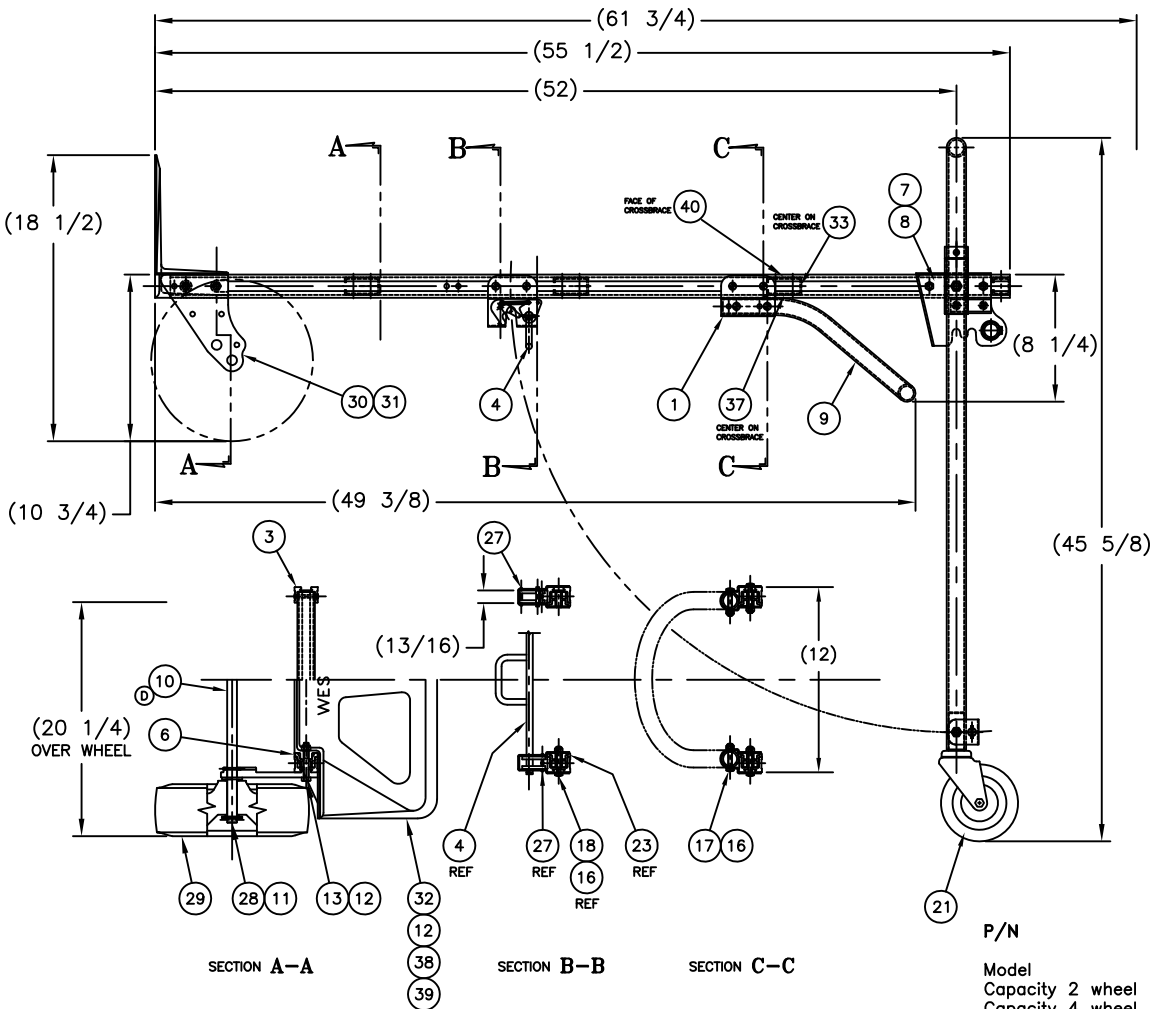


OVERALL HEIGHT WITH HANDLE FOLDED



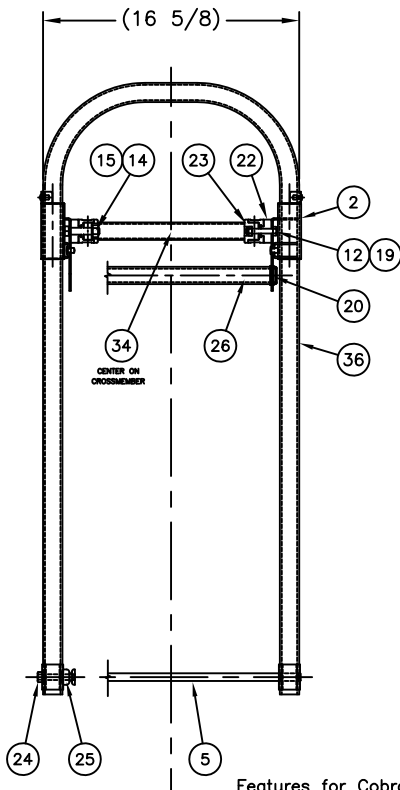
SECTION A-A

SECTION B-B

SECTION C-C

P/N

Model
 Capacity 2 wheel
 Capacity 4 wheel
 Approximate Weight
 Overall Height
 Frame bed
 Boxed



Features for Cobra Jr. and Sr.

- 18" wide noseplate for large loads.
- Smooth and easy transition from the 2 to 4 wheeled position.
- Non-marking 5" x 1.25" swivel casters.
- 8 rivets per cross brace. Welded release pedal.
- Custom advertising side strips available-contact dealer for details.
- 2" wide cross braces for added strength and advertising labels.

Cobra Sr. Features:

- Continuous handle for multiple ways to control loads.
- 4 frame cross braces.
- 12" x 50.75" frame bed.

REPLACEMENT PARTS LIST

ITEM	PART NO.	DESCRIPTION	QTY.
1	055104	BRACKET: HANDLE	2
2	055105	PIVOT SOCKET	2
3	055112	FRAME: ASS'Y (54-1/2")	1
4	055094	HANDLE: LATCH, ASS'Y	1
5	055099	BAR: SPREADER, ASS'Y	1
6	055127	CHANNEL: FILLER	2
7	055125	BRACKET: "R.H" SIDE, ASS'Y	1
8	055126	BRACKET: "L.H" SIDE, ASS'Y	1
9	151512	HANDLE: CONTINUOUS	1
10	050229	AXLE: "Z/P" WHEEL (18-1/4")	1
11	100051	WASHER: FLAT 5/8 SAE	4
12	108132	NUT: LOCK, HEX 5/16-18 W/NYLOCK	12
13	108168	SCR: HEX HD 5/16-18X2-1/4"	4
14	108366	WASHER: FLAT .9300D X.475IDX.060TH	4
15	108916	NUT: LOCK, HEX 7/16-14 2-WAY	2
16	108929	NUT: LOCK, HEX 1/4-20 W/NYLOCK	12
17	108931	SCR: PAN HD MACH 1/4-20 X 1-5/8	4
18	108932	SCR: PAN HD MACH 1/4-20 X 1-3/4	8
19	108934	SCR: HEX HD 5/16-18 X 1-3/4	4
20	108937	RING: SHAFT RETAINER 1-1/8	4
21	108979	CASTER: SWIVEL STEM 5 X 1-1/4	2
22	108980	SPACER: MOLDED	2
23	108981	BLOCK: MOLDED	6
24	108152	SCR: HEX HD CAP 3/8-16 X 2"	2
25	109019	CAP: LOAD END	2
26	108984	HANDLE: UPPER	1
27	109644	PIN: SPRIN 1/8 X 1-1/8"	2
28	108219	PIN: COTTER 5/32 X 1	2
29	151507	WHEEL: "PWT" 10 X 3.50	2
30	151508	AXLE BOX: "RH"	1
31	151509	AXLE BOX: "LH"	1
32	053313	STAMP: WESCO, S18/E18	1
33	154021	LABEL: WARNING	1
34	154060	LABEL: WESCO/CAPACITY	1
35	108122	BAG: POLY 22 X 47-1/2	1
36	055109	HANDLE: SLIDE, ASS'Y	1
37	154113	LABEL: FRAME WARRANTY 1 X 3.75"	1
38	108169	BOTL: CARR. 5/16-18 X 1"	4
39	055131	CLAMP EXTR.	1
40	154159	LABEL: WESCO COBRA	1

220484

CBR-SR-E18-PWT
 600 lbs.
 1,200 lbs.
 42.5 lbs.
 61.75"
 12" x 50.75"
 No

PRINT ISSUED
 JAN 15, 2007
 WESCO MANUFACTURING
 ENGINEERING DEPARTMENT

THIS DRAWING IS THE PROPERTY OF WESCO MANUFACTURING CO. ALL RIGHTS OF DESIGN, INVENTION OR USE OF ARE RESERVED.

WESCO MANUFACTURING CO. NORTH MALES, PENNA. 19456		DATE: 03-29-06
PWT NAME: CBR-SR-E18-PWT	DESIGNER: KIMMIE LE	
FINAL ASS'Y ALUM. 2-N-1		
SCALE: 1" = 4"		
D-220484		