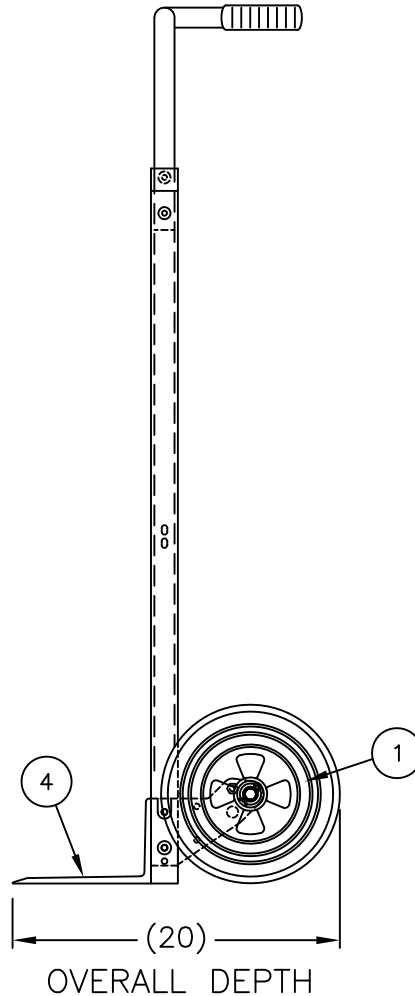
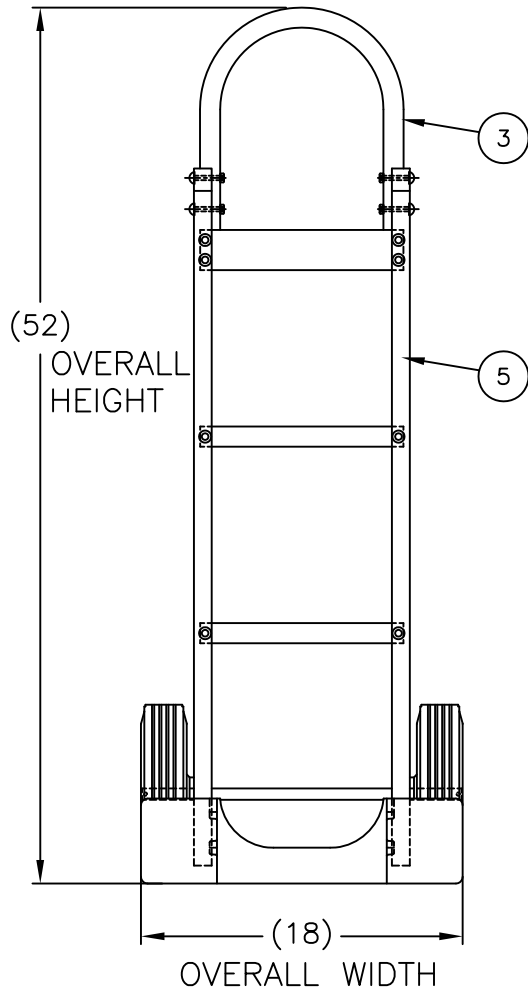


220397



REPLACEMENT PARTS LIST

ITEM	PART NO.	DESCRIPTION	QTY.
1	054230	KIT: WHEEL "Z2" WESCO-LITE	1
2	108990	BOX: 40-1/2" X 13 X 10	1
3	151511	HANDLE: PIN	1
4	151533	NOSEPLATE (18")	1
5	153855	KIT: STRAIGHT FRAME #0	1

COBRA-LITE FEATURES:

- All aluminum construction.
- Heavy duty cast 7.5" X 14" or 7.5" X 18" wide nose plate options.
- Quality light weight truck at an economical price.
- Ships KD and boxed or as components
- Assembly option available.
- All 2" wide cross braces for additional strength. Great for advertising label.

Series 420 Features:

- High back pin handle.
- Comfortable vinyl handle grip.
- 52" overall height.

P/N 220397

Model 420-T18-Z2
 Weight 27 lbs
 Capacity 600 lbs
 Box No
 Wheel 10" x 2.75"
 Type Solid Rubber
 Hub Poly Offset

THIS DRAWING IN ALL PARTICULARS IS WESCO MFR. CO. PROPERTY. ALL RIGHTS OF DESIGN, INVENTION OR USE OF ARE RESERVED.

PRINT ISSUED

APR 19, 2006

WESCO MANUFACTURING
ENGINEERING DEPARTMENT

REV.	ECN & DATE	APP	REVISED
B	02-06-13 UPDATED	RWS	04-19-06 DRAWN INTO CAD UPDATED ROUTER
A			

WESCO MANUFACTURING CO.		PENNA. 19454	
PART NAME		DRAWN: SKH 4-21-93	
420-T18-Z2 (COBRA-LITE)		CHECKED: GRB 3-14-95	
TOLERANCE UNLESS OTHERWISE SPECIFIED		APP. ENGR.	
FRACTION	3 PLACE DECIMAL	2 PLACE DECIMAL	SCALE: 7" = 1"
± 1/64	± .005	± .01	
ANGULAR ± 1-1/2'	SHEET 1 OF 1		
BREAK ALL SHARP EDGES AND REMOVE ALL BURRS		B-220397	REV B