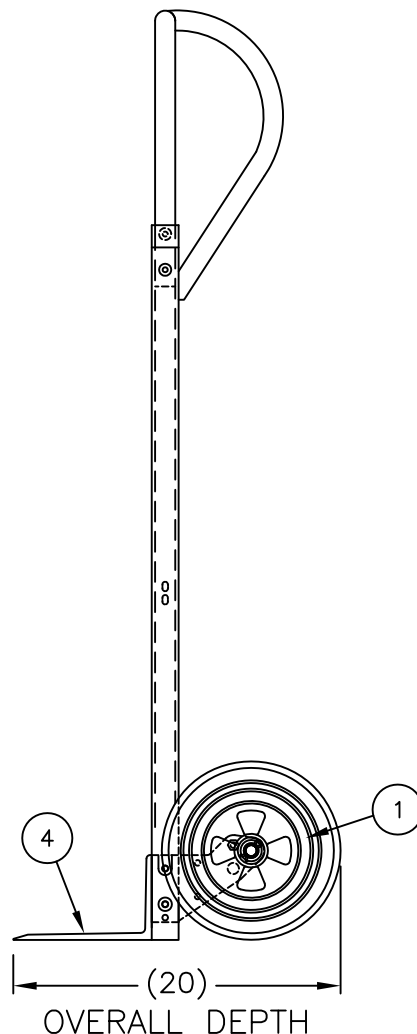
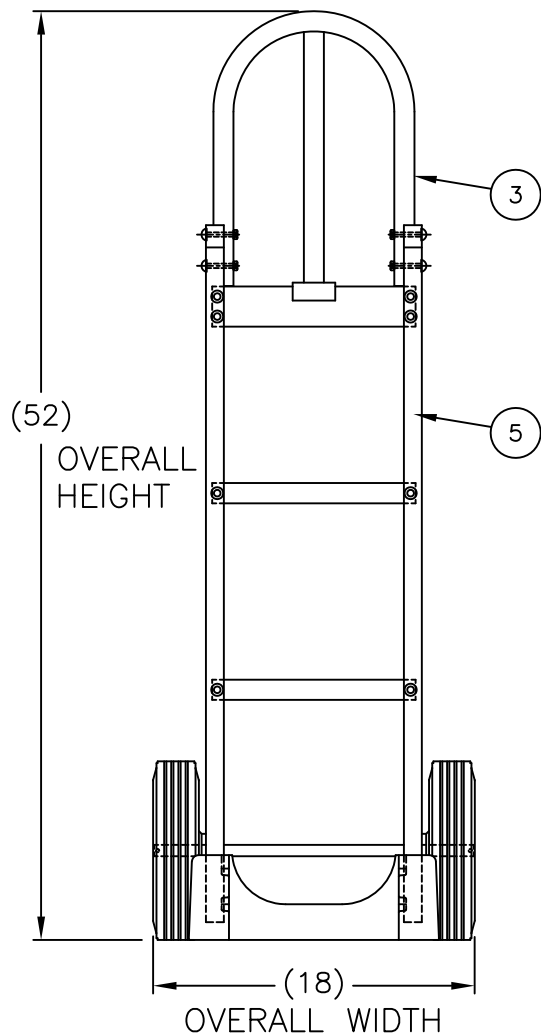


220373



## REPLACEMENT PARTS LIST

ITEM	PART NO.	DESCRIPTION	QTY.
1	054230	KIT: WHEEL "Z2" WESCO-LITE	1
2	108990	BOX: 40-1/2" X 13 X 10	1
3	151510	HANDLE: "D"	1
4	151521	NOSEPLATE (14")	1
5	153855	KIT: STRAIGHT FRAME #0	1

## COBRA-LITE FEATURES:

- All aluminum construction.
  - Heavy duty cast 7.5" X 14" or 7.5" X 18" wide nose plate options.
  - Quality light weight truck at an economical price.
  - Ships KD and boxed or as components
  - Assembly option available.
  - All 2" wide cross braces for additional strength.
- Great for advertising label.

## Series 470 Features:

- High back loop handle.
- 52" overall height.

P/N 220373

Model 470-T14-Z2  
 Weight 27 lbs  
 Capacity 600 lbs  
 Box No  
 Wheel 10" x 2.75"  
 Type Solid Rubber  
 Hub Poly Offset

THIS DRAWING IN ALL PARTICULARS IS WESCO MFRG. CO. PROPERTY. ALL RIGHTS OF DESIGN, INVENTION OR USE OF ARE RESERVED.

PRINT ISSUED

APR 19, 2006

WESCO MANUFACTURING  
ENGINEERING DEPARTMENT

REV.	ECN & DATE	APP	REVISED
B	02-06-13 UPDATED		R W S
A	04-19-06 DRAWN INTO CAD UPDATED ROUTER		KL

WESCO MANUFACTURING CO.		NORTH WALES		PENNA. 19454	
PART NAME		470-T14-Z2 (COBRA-LITE)		DRAWN: SKH 4-21-93	
TOLERANCE UNLESS OTHERWISE SPECIFIED				CHECKED: GRB 3-14-95	
FRACTION		3 PLACE DECIMAL		2 PLACE DECIMAL	
± 1/64		± .005		± .01	
ANGULAR ± 1-1/2'		SHEET 1 OF 1		SCALE: 7" = 1"	
BREAK ALL SHARP EDGES AND REMOVE ALL BURRS		B-220373		REV B	